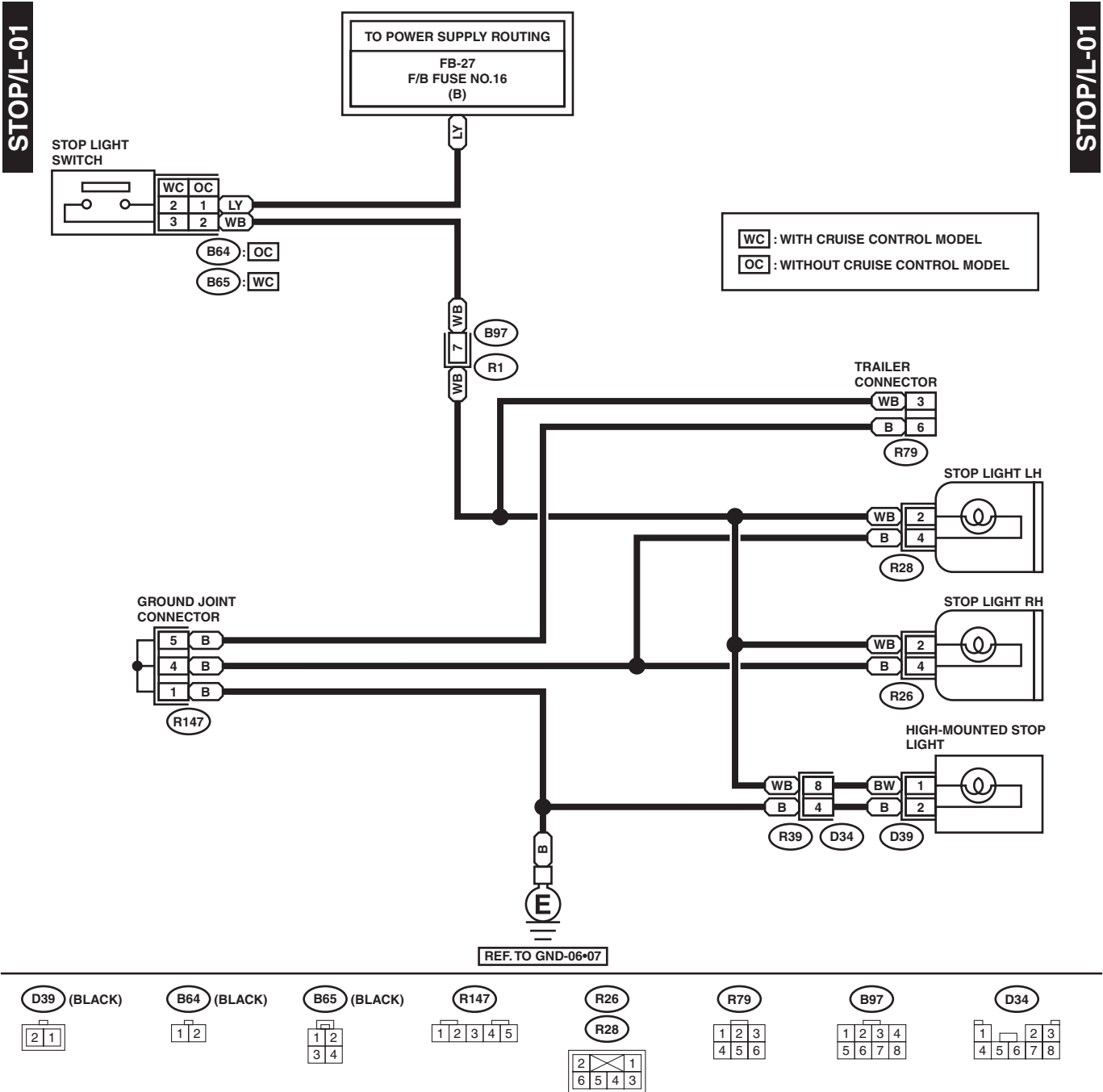


STOP LIGHT SYSTEM

WIRING SYSTEM

28.Stop Light System

A: WIRING DIAGRAM



WI-03074