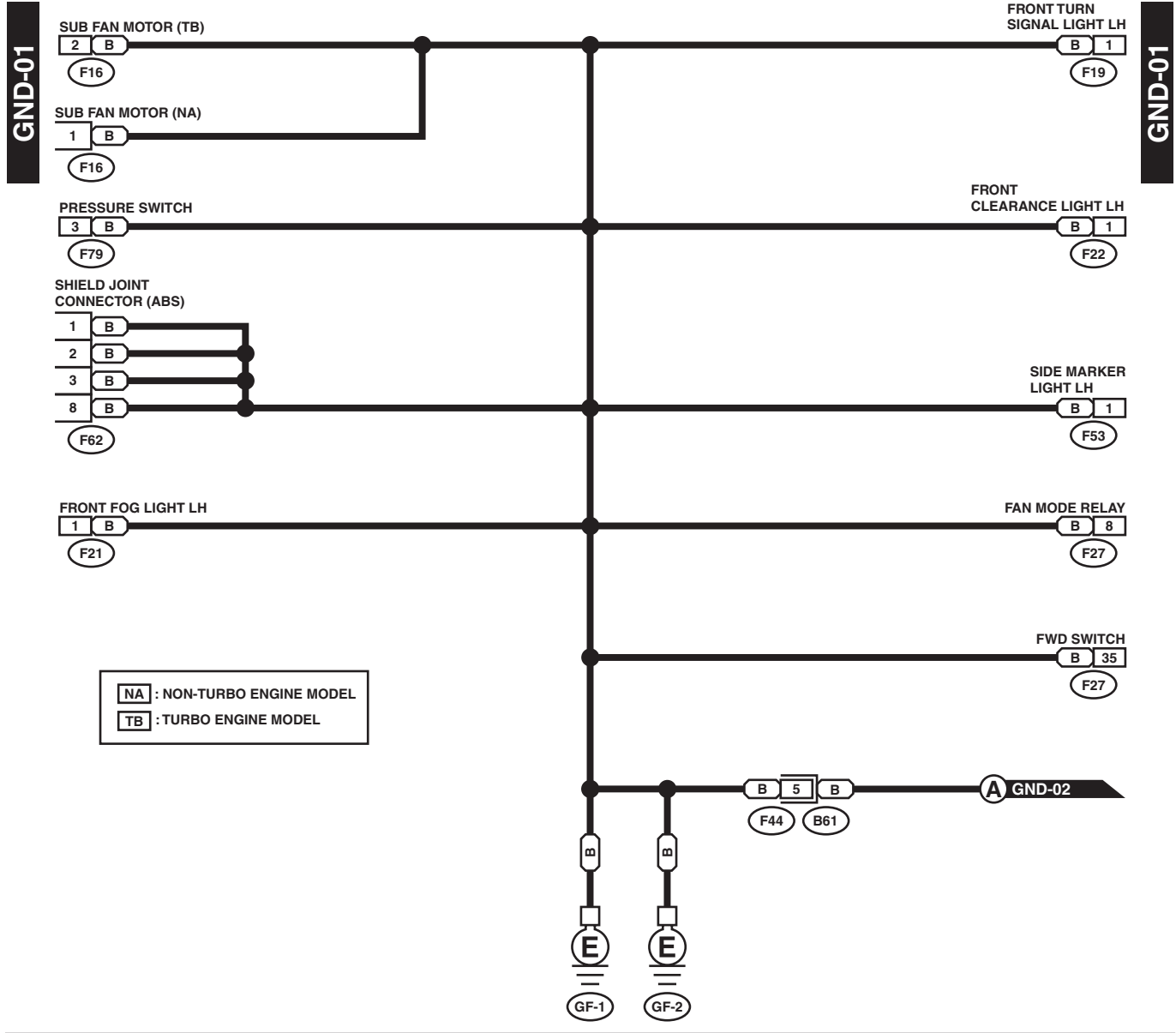
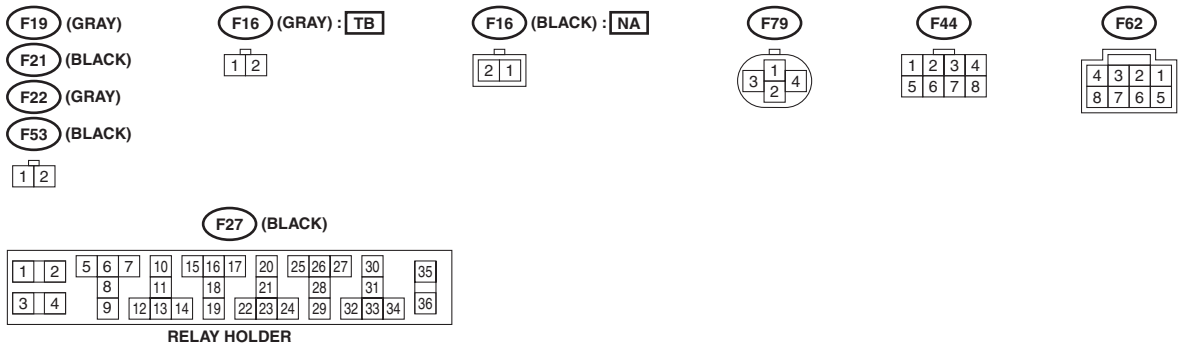


4. Ground Distribution

A: WIRING DIAGRAM

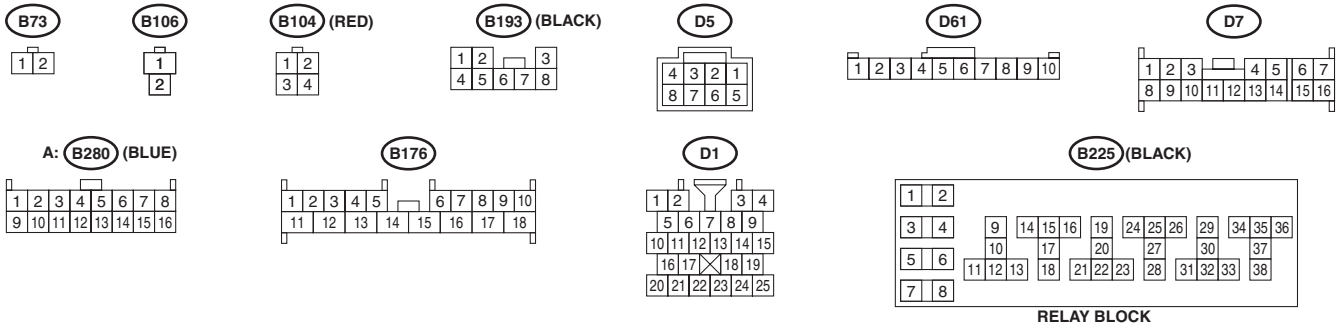
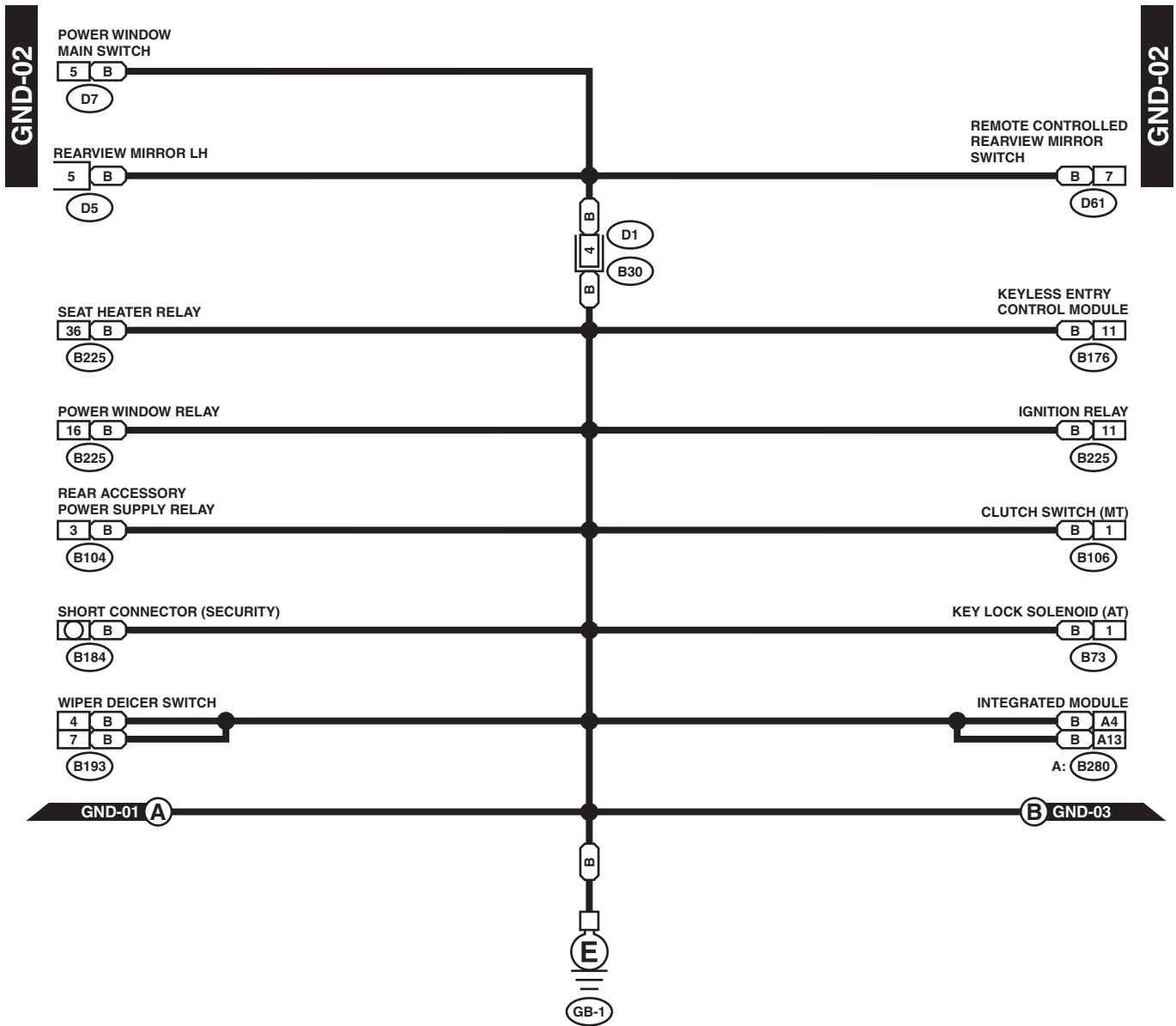


NA : NON-TURBO ENGINE MODEL
TB : TURBO ENGINE MODEL



GROUND DISTRIBUTION

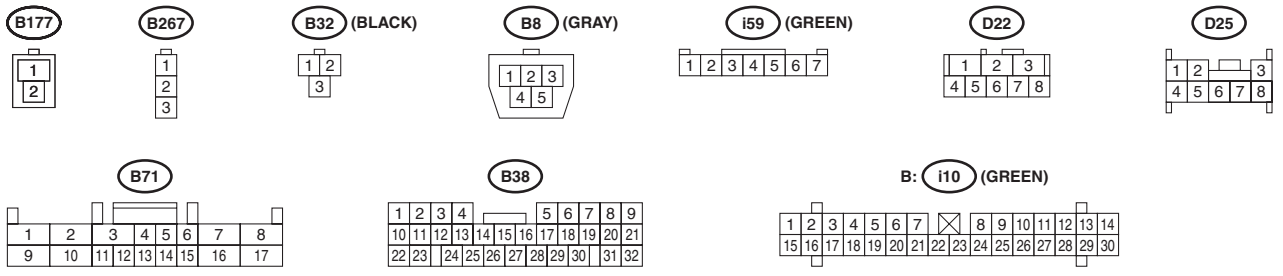
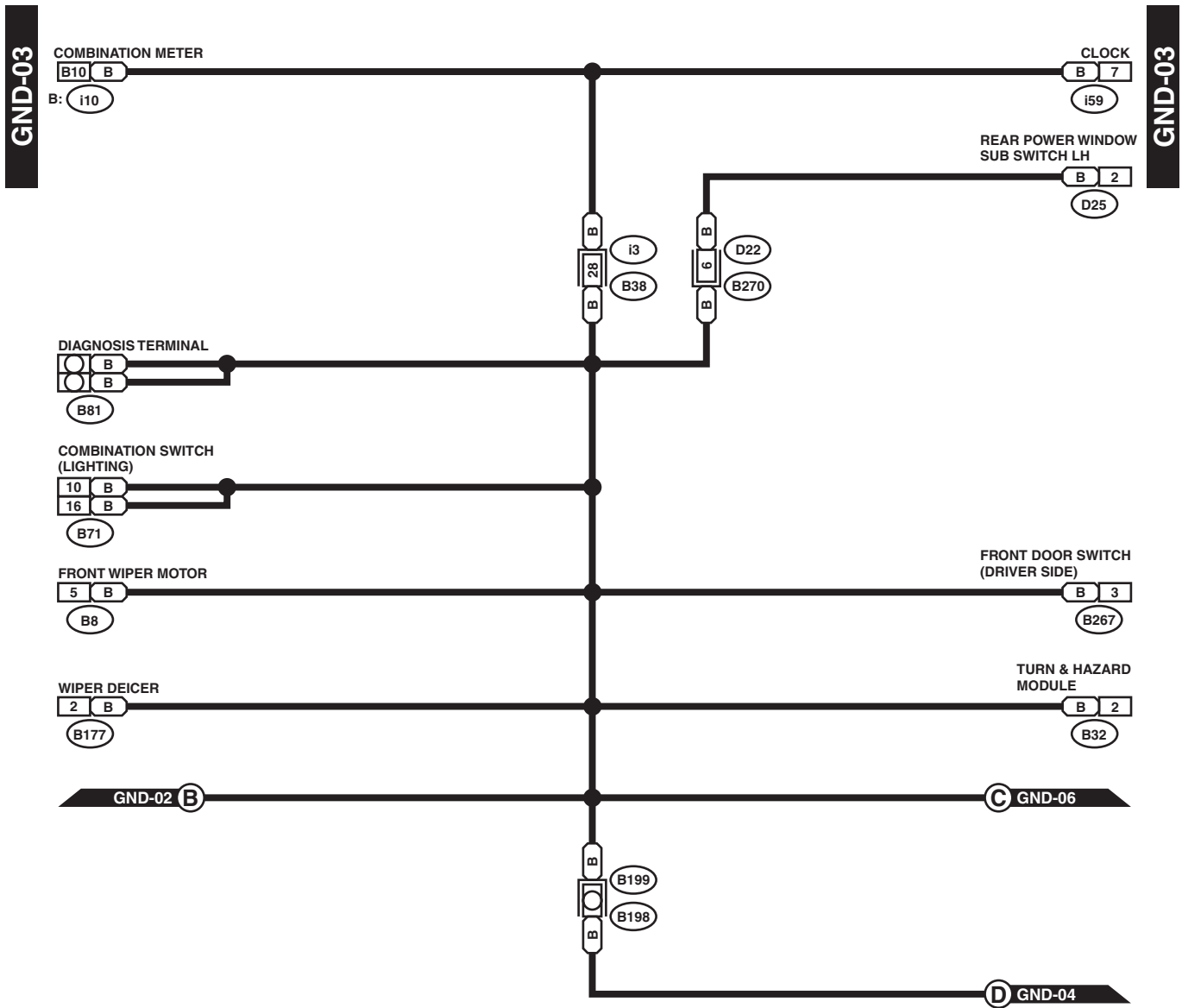
WIRING SYSTEM



WI-02984

GROUND DISTRIBUTION

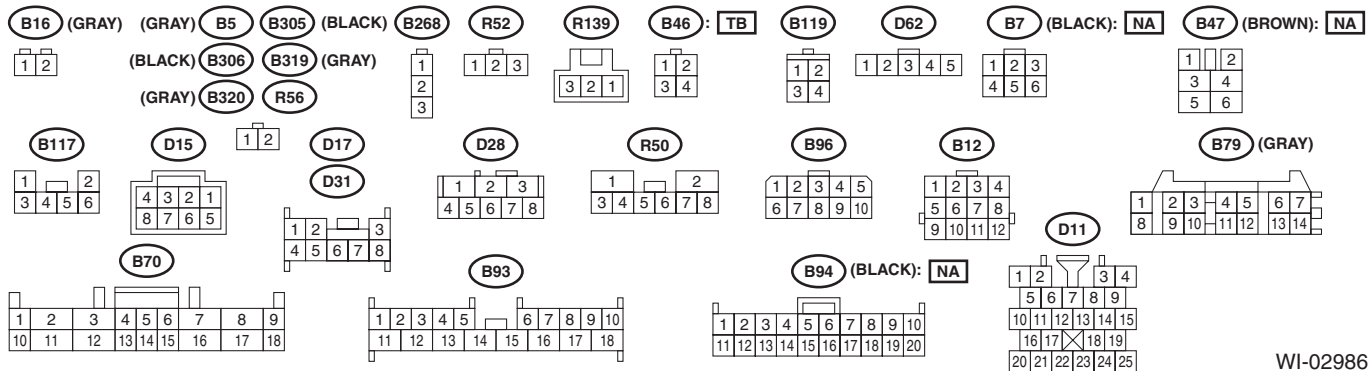
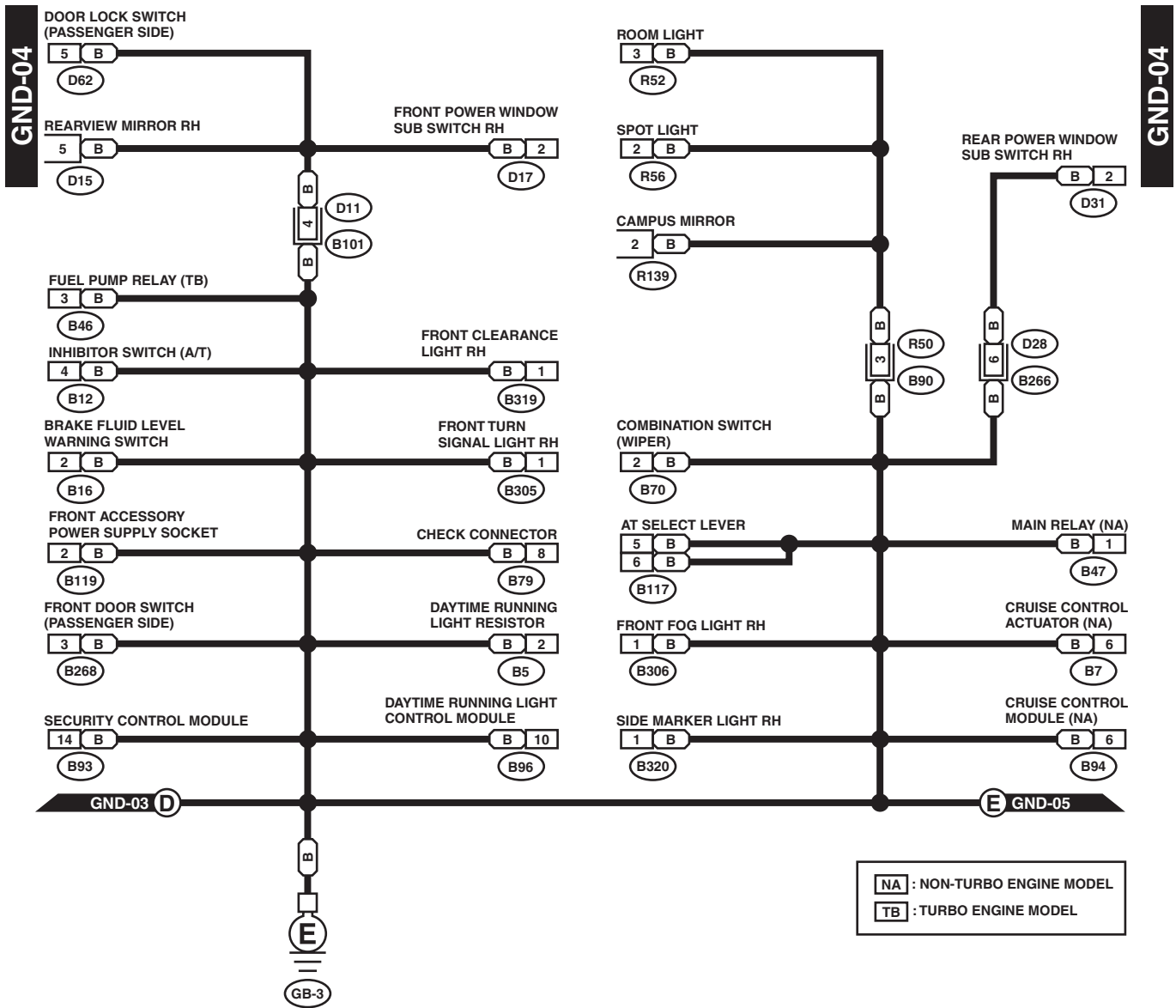
WIRING SYSTEM



WI-02985

GROUND DISTRIBUTION

WIRING SYSTEM



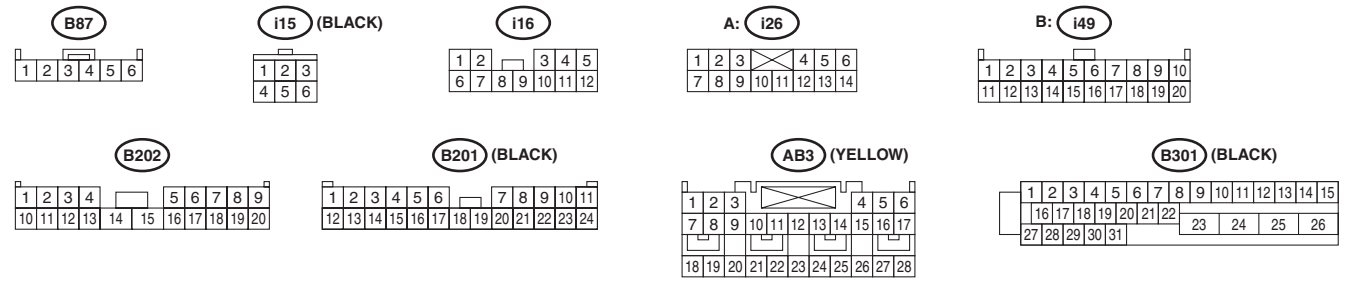
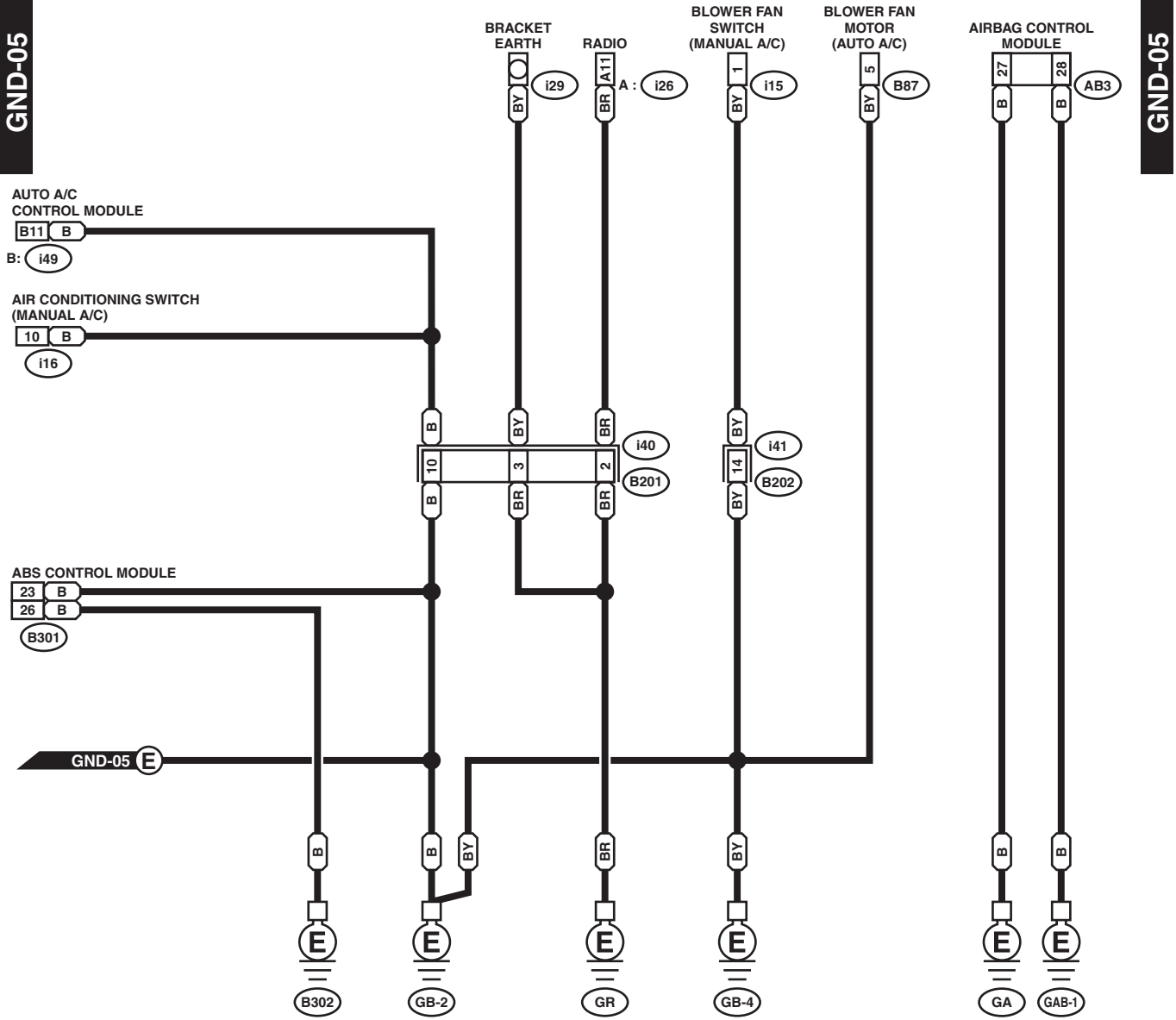
WI-02986

GROUND DISTRIBUTION

WIRING SYSTEM

GND-05

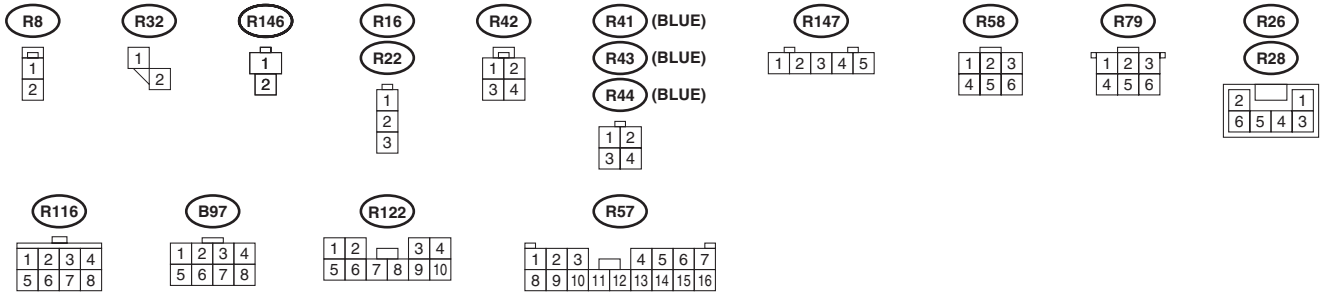
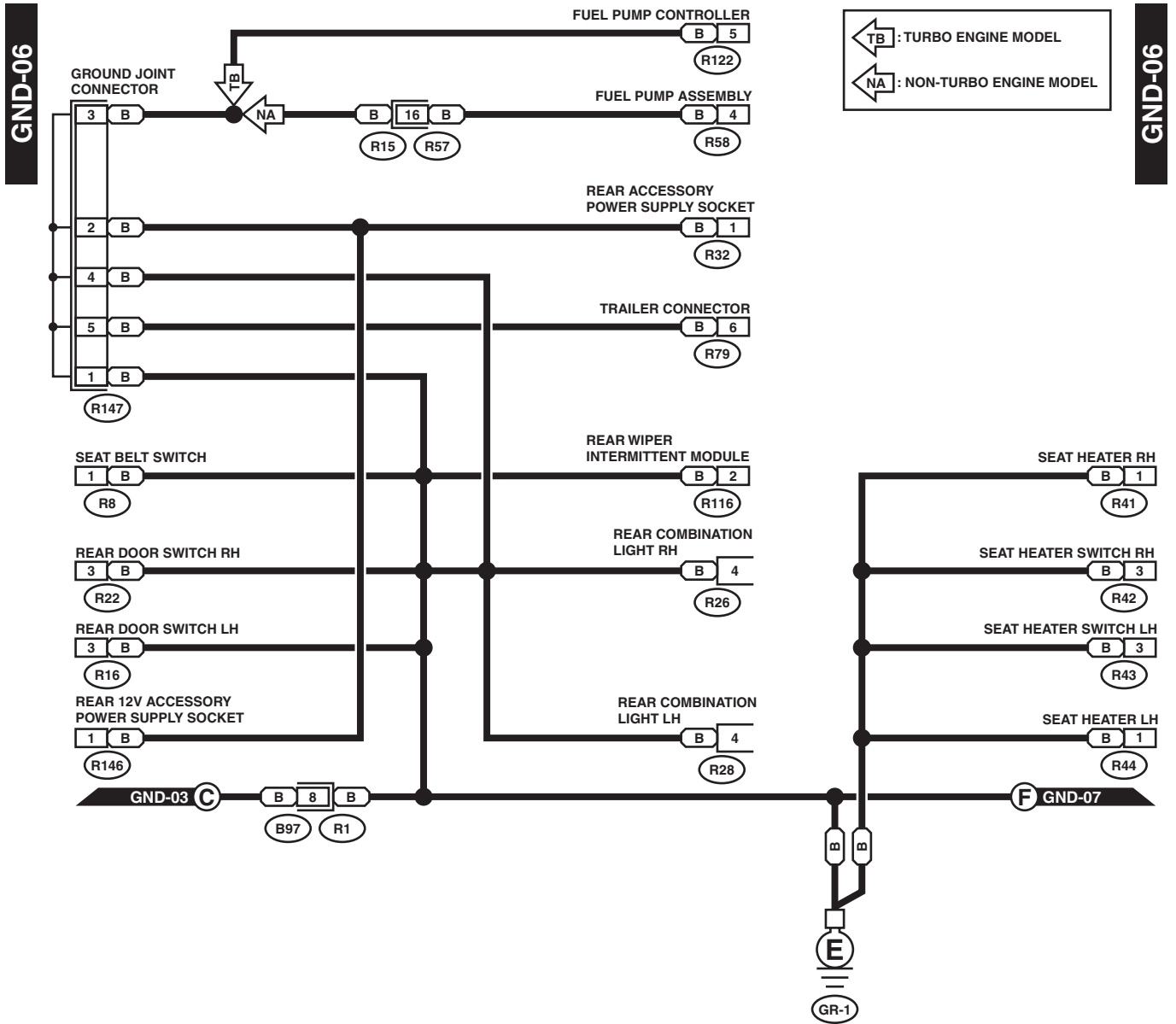
GND-05



WI-02987

GROUND DISTRIBUTION

WIRING SYSTEM



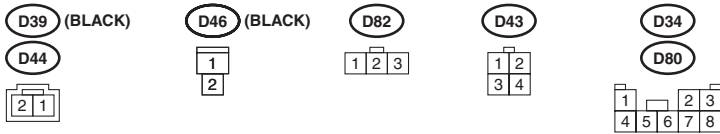
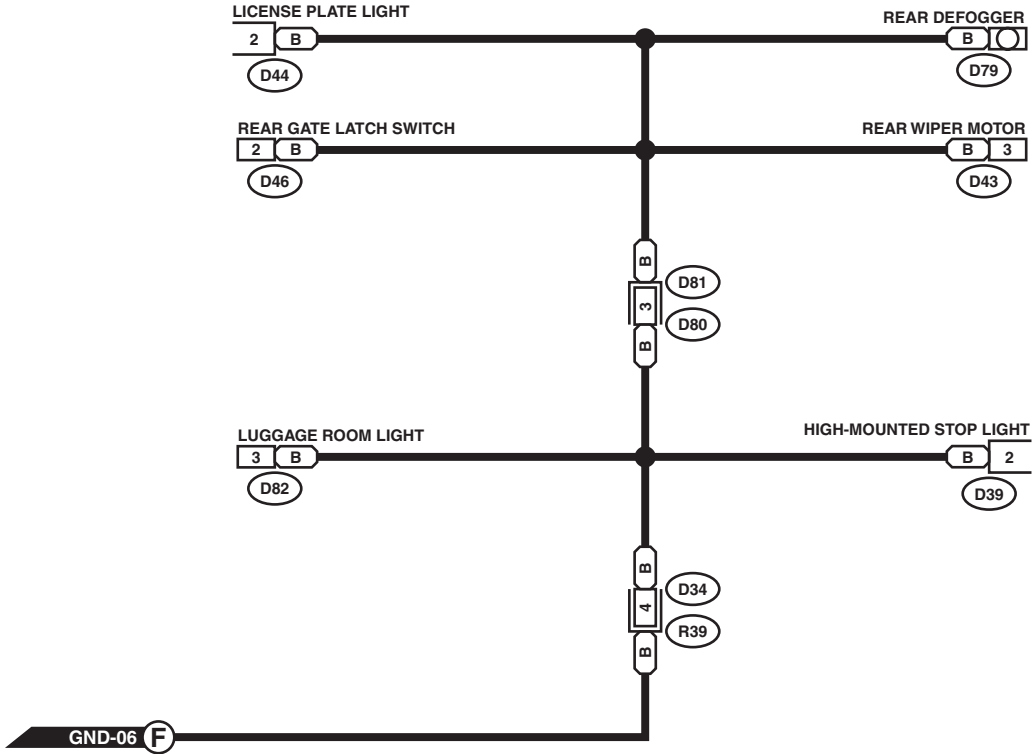
WI-02988

GROUND DISTRIBUTION

WIRING SYSTEM

GND-07

GND-07



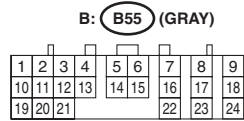
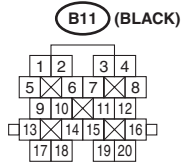
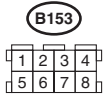
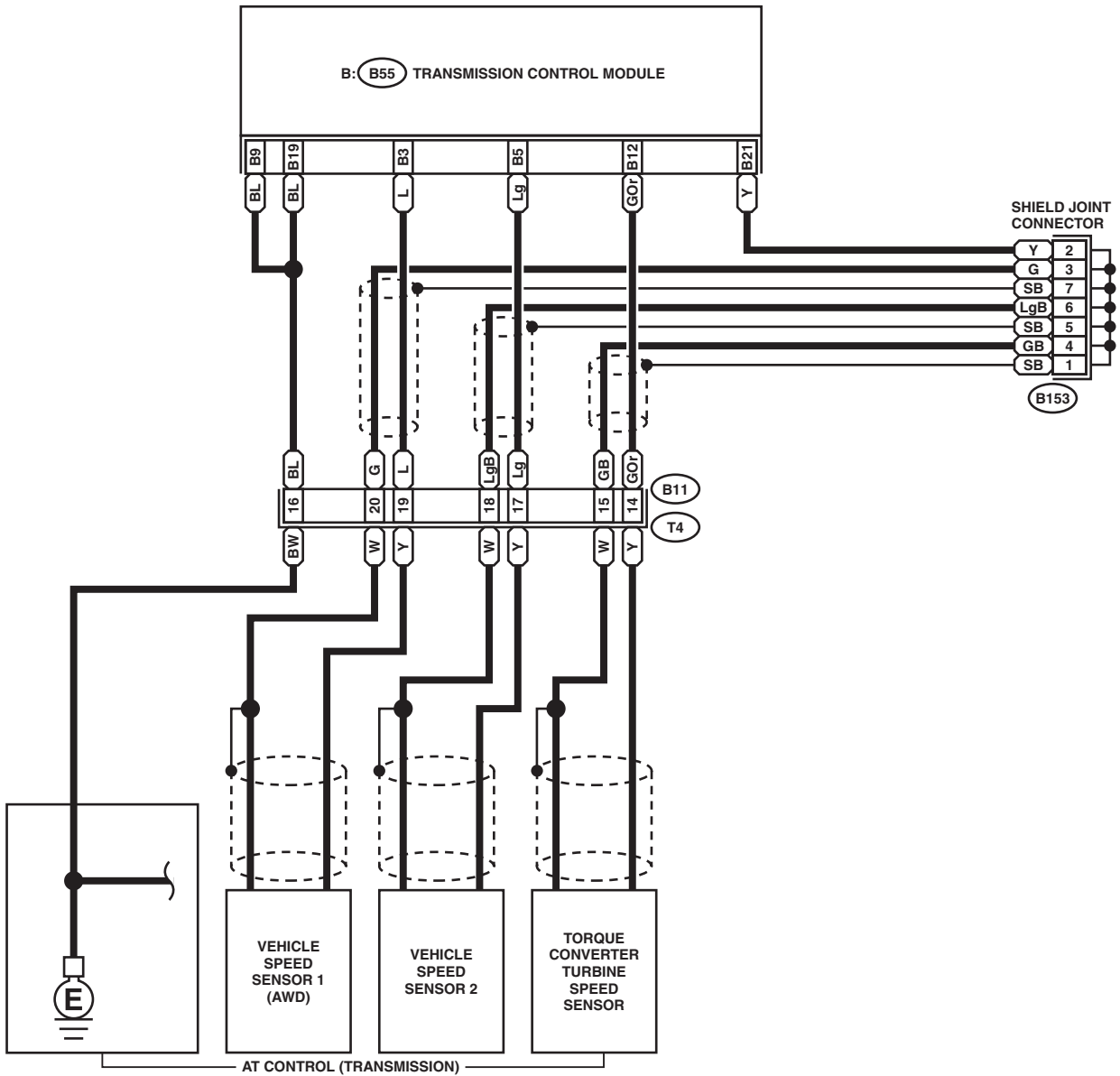
WI-02989

GROUND DISTRIBUTION

WIRING SYSTEM

GND-08

GND-08



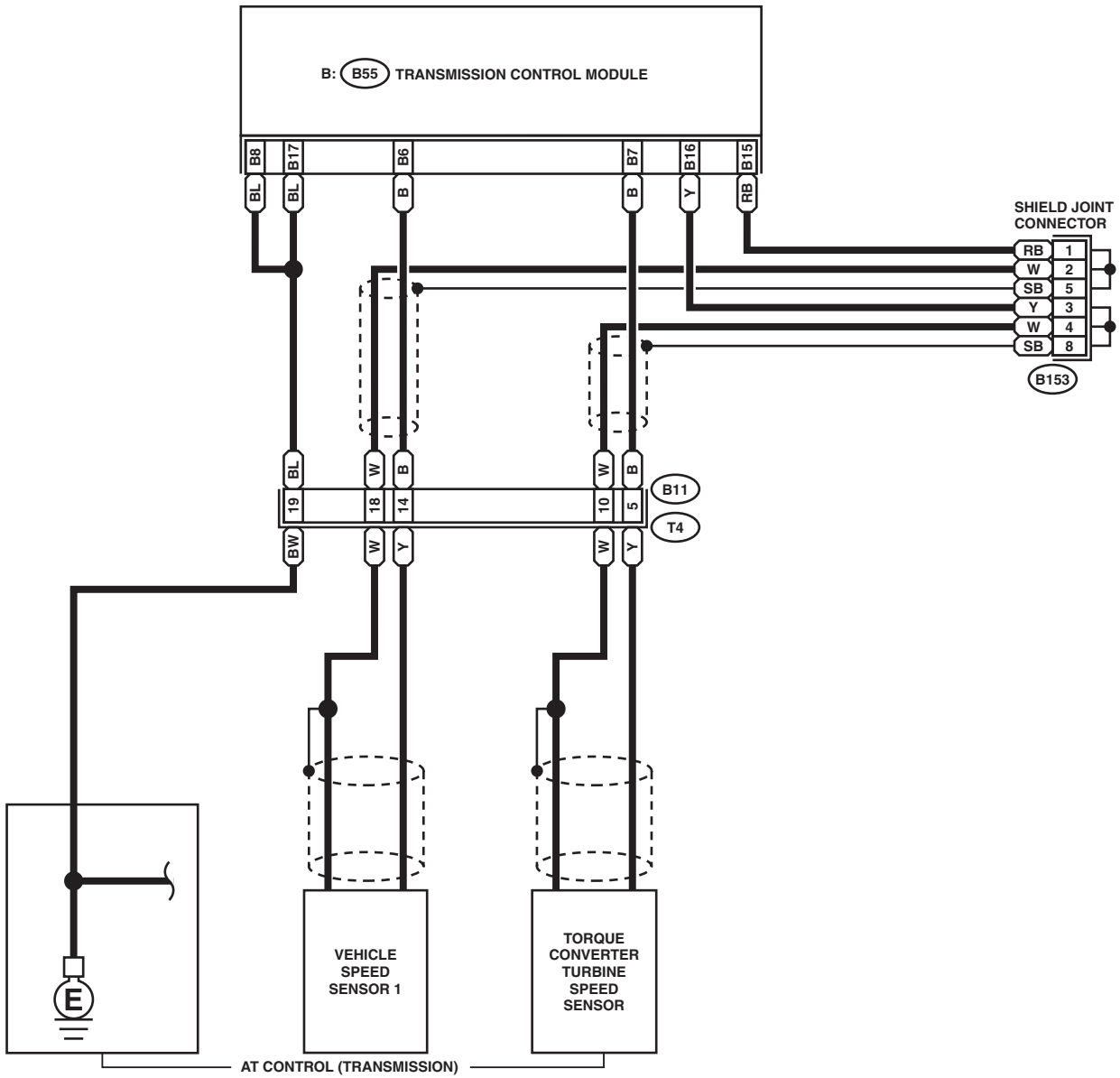
WI-00133

GROUND DISTRIBUTION

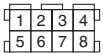
WIRING SYSTEM

GND-09

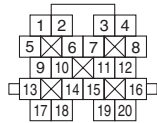
GND-09



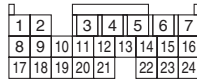
B153



B11 (GRAY)



B: B55



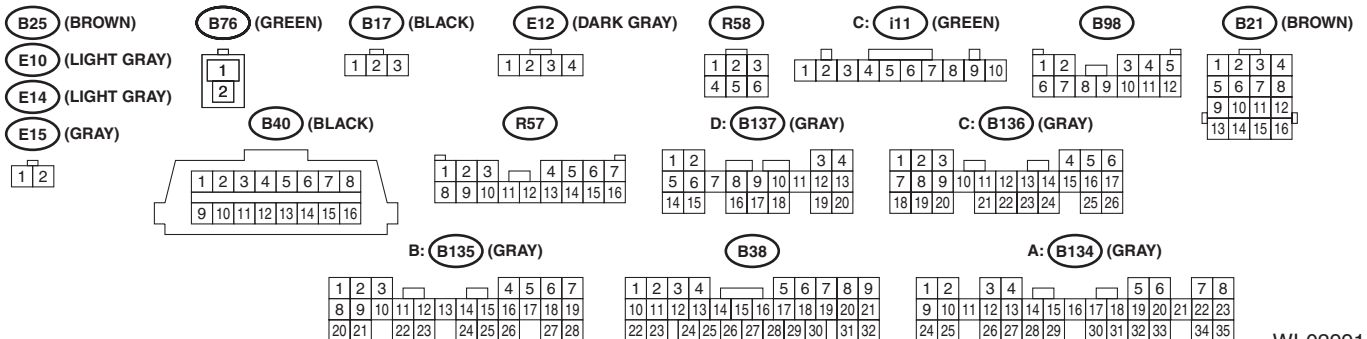
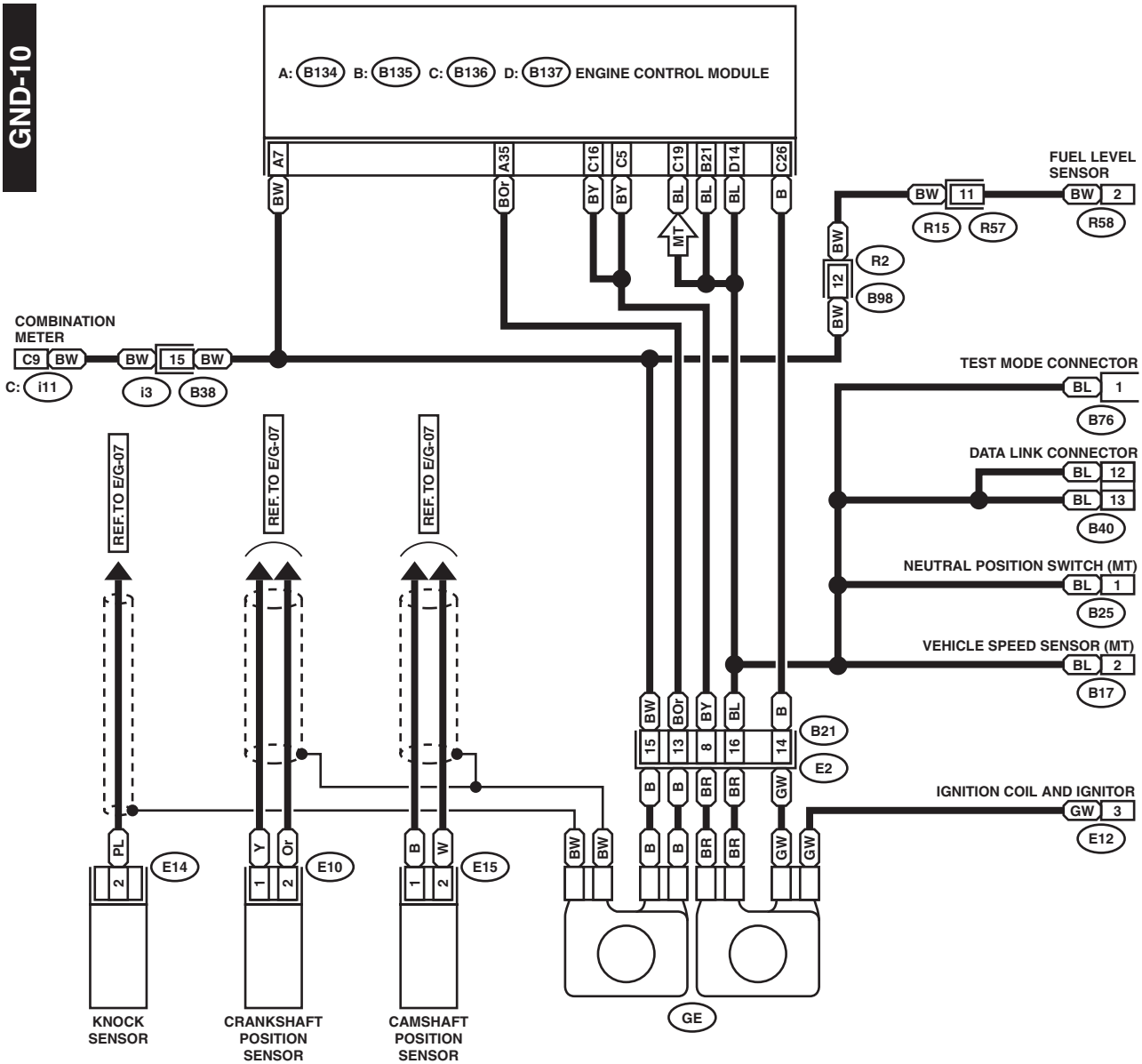
WI-02990

GROUND DISTRIBUTION

WIRING SYSTEM

GND-10

GND-10



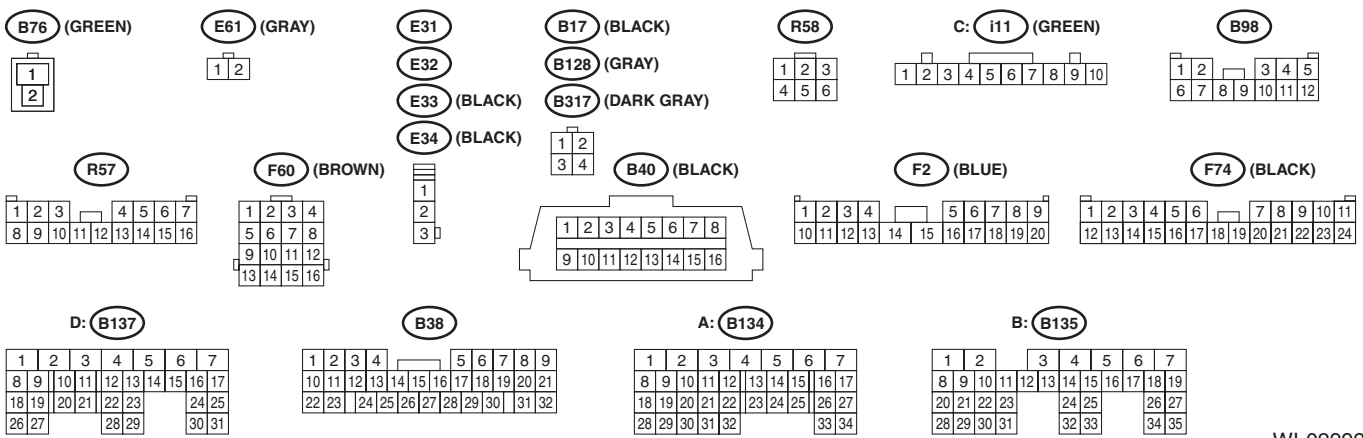
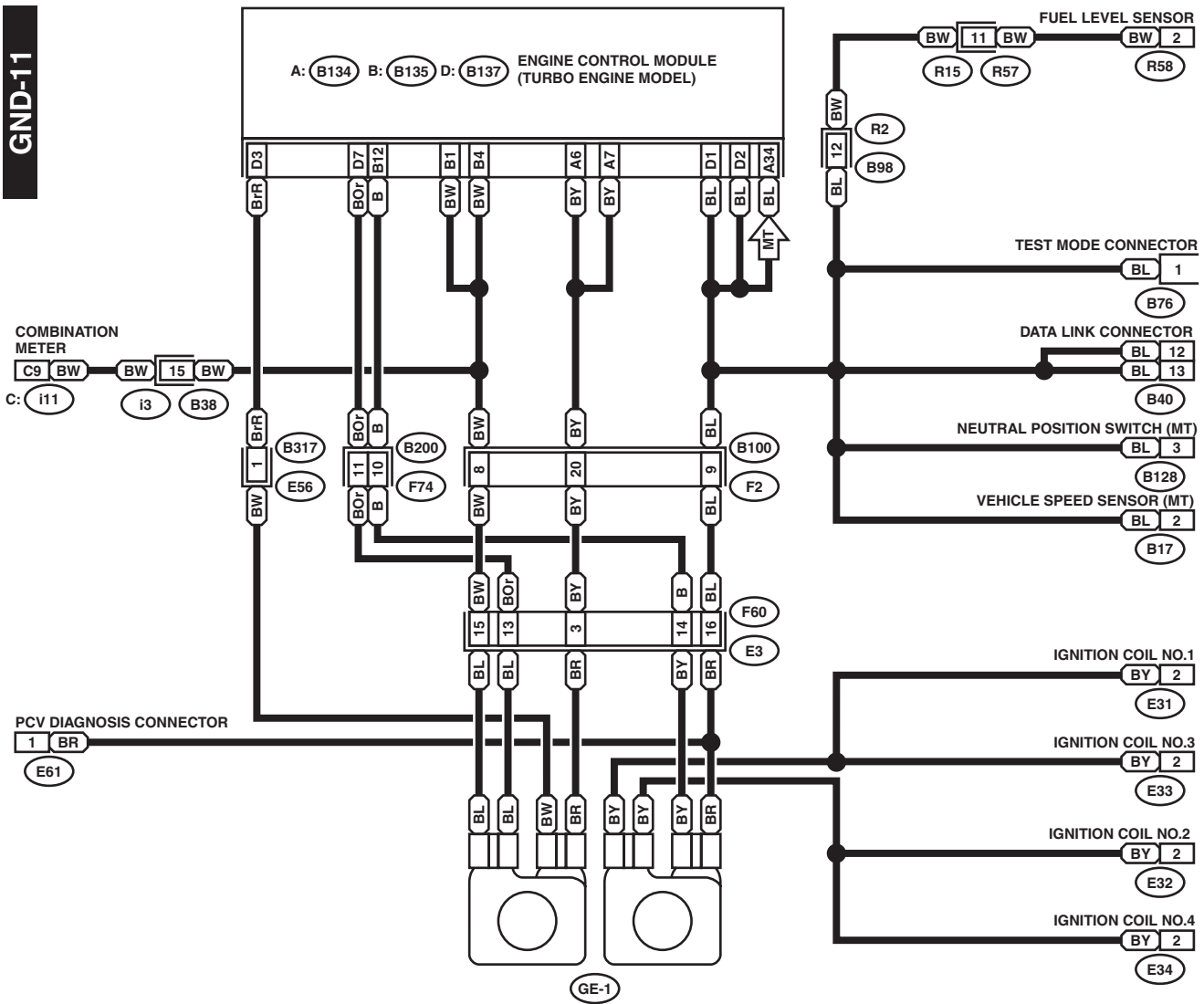
WI-02991

GROUND DISTRIBUTION

WIRING SYSTEM

GND-11

GND-11



WI-02992