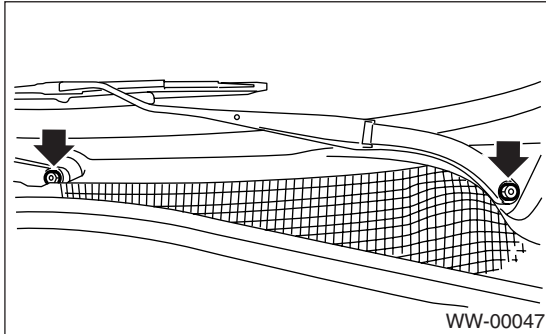


6. Front Wiper Arm

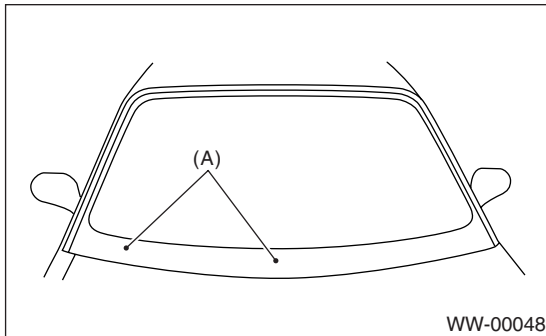
A: REMOVAL

- 1) Open the hood.
- 2) Remove the cap.
- 3) Loosen the nut to remove arm.



B: INSTALLATION

- 1) Install in the reverse order of removal.
- 2) Operate the wiper once.
- 3) Align the wiper blade to ceramic print point mark (A) of front window panel.



Tightening torque:

Refer to **COMPONENT** in *General Description*.

<Ref. to WW-2, **FRONT WIPER, COMPONENT**, *General Description*.>

C: ADJUSTMENT

Operate the wiper once. Align the wiper blade to ceramic print point mark (A) of front window panel.

