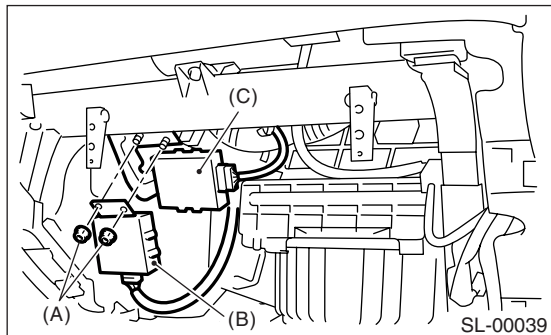


20. Security Control Module

A: REMOVAL

- 1) Disconnect the ground cable from battery.
- 2) Remove the glove box. <Ref. to EI-34, REMOVAL, Glove Box.>
- 3) Disconnect the connector from the security control module.
- 4) Remove nuts (A) and cruise control module (B).



- 5) Remove the security control module (C).

B: INSTALLATION

Install in the reverse order of removal.

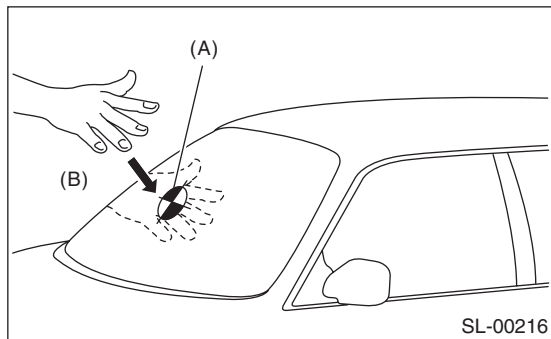
NOTE:

To install the security control module, tighten the bolts securely so that the bolts do not come loose.

C: INSPECTION

1. IMPACT SENSITIVITY TEST

- 1) Remove the key from the ignition switch.
- 2) Close all windows.
- 3) Close all doors and the rear gate.
- 4) Cover the hood with a blanket.
- 5) Press the LOCK/ARM button of the transmitter.
- 6) Confirm that the security indicator light blinks every 2 seconds.
- 7) Hit the center of the windshield with your palm and make sure the alarm operates.



- (A) Center of windshield
- (B) Hit with palm

If NG, adjust the impact sensitivity. <Ref. to SL-42, ADJUSTMENT, Security Control Module.>

D: ADJUSTMENT

1. IMPACT SENSITIVITY

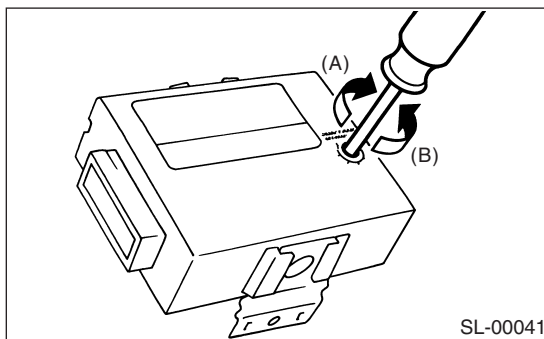
NOTE:

Before adjustment, make sure the security control module has been securely installed on the bracket.

- 1) Remove the security control module. <Ref. to SL-42, REMOVAL, Security Control Module.>
- 2) Adjust the sensitivity adjust screw in the security control module.

NOTE:

After adjusting, be sure to plug the adjust screw hole.



- (A) Max.
- (B) Min.

- 3) Install the security control module.
- 4) Perform the impact sensitivity test.