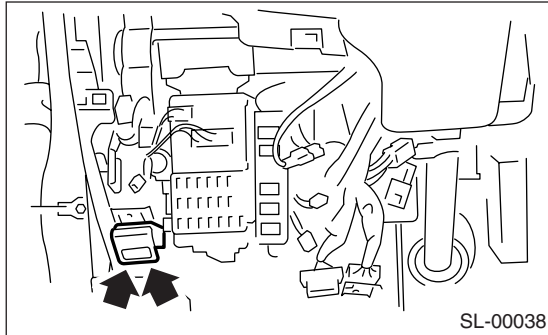


## 17. Remote Openers

### A: REMOVAL

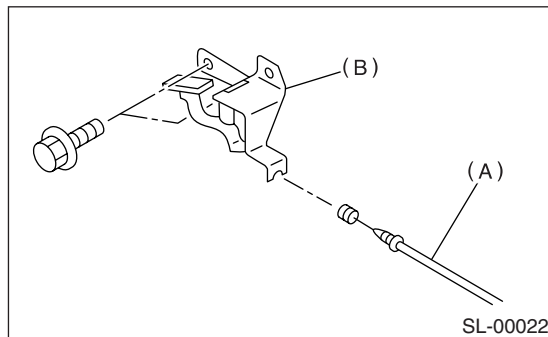
#### 1. HOOD OPENER

- 1) Remove the hood lock assembly. <Ref. to SL-38, REMOVAL, Front Hood Lock Assembly.>
- 2) Remove the release cable from hood lock.
- 3) Remove the bolt. Remove the opener lever.

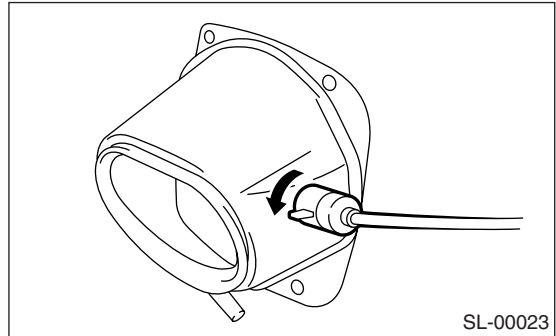


#### 2. FUEL FLAP OPENER

- 1) Remove the rear seat. <Ref. to SE-13, REMOVAL, Rear Seat.>
- 2) Remove the center pillar lower trim and side sill cover. Remove the rear pillar lower trim. Pull back the floor mat.
- 3) Remove the right rear quarter trim. <Ref. to EI-42, REMOVAL, Rear Quarter Trim.>  
Remove the clip holding the cable.
- 4) Remove the bolt. Remove the opener pull handle.
- 5) Remove the cable (A) from opener pull handle (B).



- 6) Rotate the fuel lock inside the quarter panel to left and remove.



### B: INSTALLATION

#### 1. HOOD OPENER

Install in the reverse order of removal.

#### 2. FUEL FLAP OPENER

Install in the reverse order of removal.

### C: INSPECTION

Make sure the fuel flap opens and closes smoothly.