

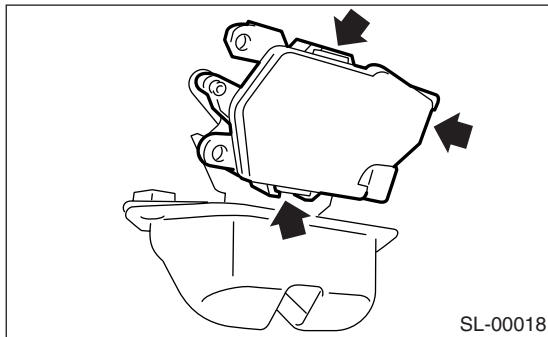
15. Rear Gate Latch Lock Actuator

A: REMOVAL

- 1) Remove the rear gate latch assembly. <Ref. to SL-36, REMOVAL, Rear Gate Latch Assembly.>
- 2) Remove three pawls, and then remove the rear gate latch lock actuator from rear gate latch assembly.

CAUTION:

Do not use excessive force to remove the rear door latch lock actuator.
The pawl surroundings of rear gate latch assembly will be deformed.



B: INSTALLATION

Install in the reverse order of removal.

CAUTION:

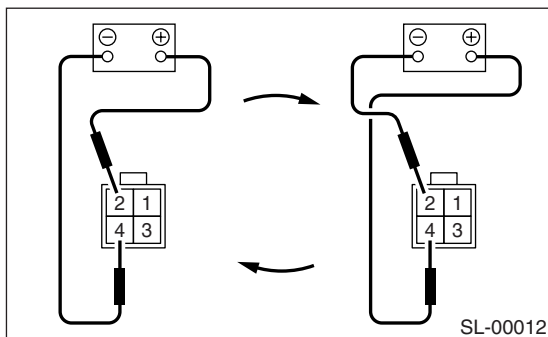
Be sure to align the lever groove of rear gate latch assembly and actuator lever.

NOTE:

Make sure the lock works properly after installation.

C: INSPECTION

- 1) Disconnect the door lock actuator harness connector.
- 2) Connect the battery to door lock actuator terminals.



Terminal No.	Actuator operation
No. 4 (+) and No. 2 (-)	Unlocked → Locked
No. 2 (+) and No. 4 (-)	Locked → Unlocked

If NG, replace the rear gate latch lock actuator.