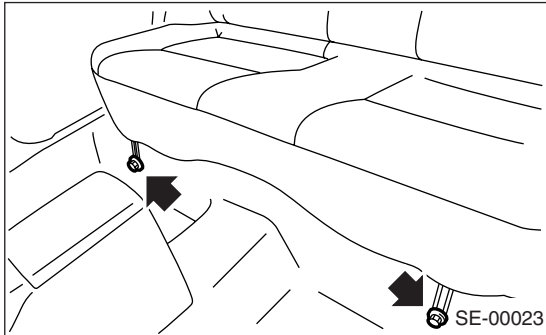


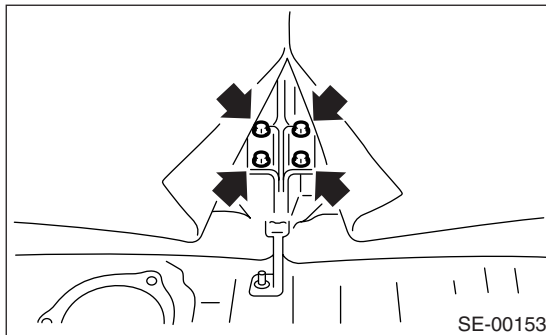
3. Rear Seat

A: REMOVAL

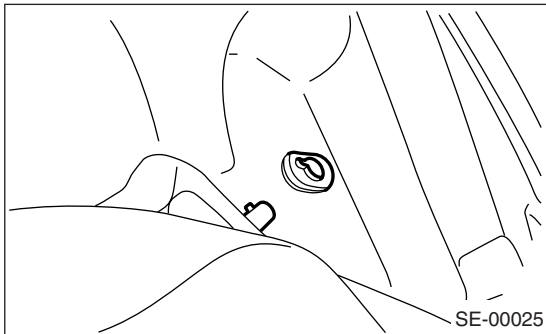
1) Remove the bolts, and then detach the rear seat cushion.



- 2) Remove the headrest.
- 3) Remove the luggage floor mat. <Ref. to EI-47, REMOVAL, Luggage Floor Mat.>
- 4) Fold down the rear seat backrest.
- 5) Turn over the mat to remove bolts.



6) Remove the rear seat backrest.



B: INSTALLATION

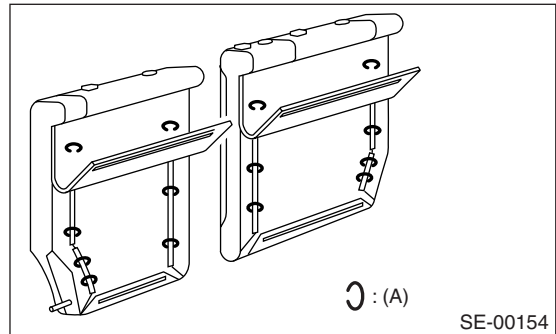
Install in the reverse order of removal.

Tightening torque:

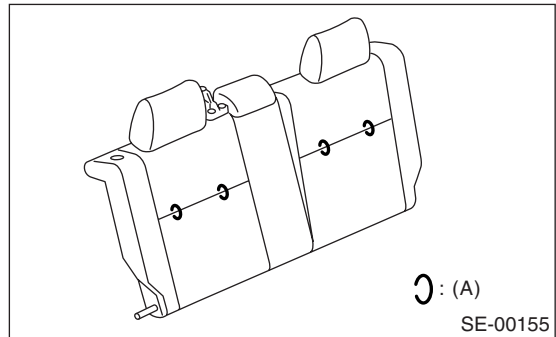
Refer to **COMPONENT** in **General Description**. <Ref. to SE-4, REAR SEAT, COMPONENT, General Description.>

C: DISASSEMBLY

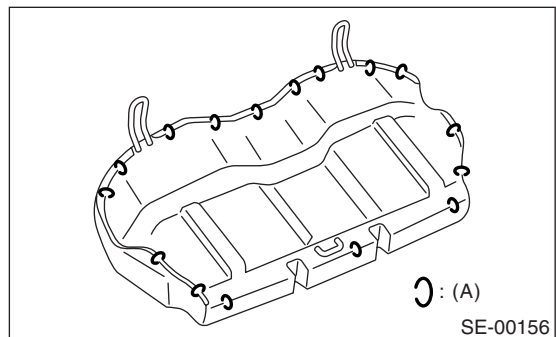
- 1) Remove the rear seat. <Ref. to SE-13, REMOVAL, Rear Seat.>
- 2) Remove the hog rings (A) from around the seat backrest.



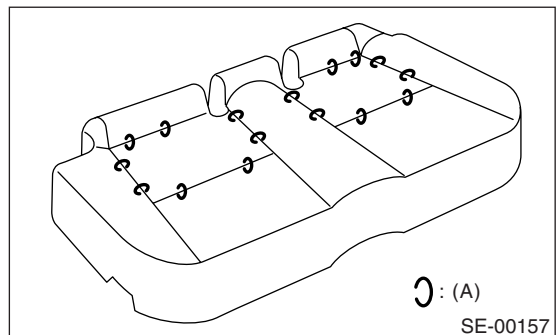
3) Remove the hog rings (A) on front side of cushion pad, and then remove the cover.



4) Remove the hog rings (A) from around the seat cushion.



5) Remove the hog rings (A), and then remove the cover.



D: ASSEMBLY

Assemble in the reverse order of disassembly.

NOTE:

- Do not contaminate or damage the cover.
- While installing the hog rings, prevent the seat from getting wrinkled.