

# FRONT SEAT

## SEATS

### 2. Front Seat

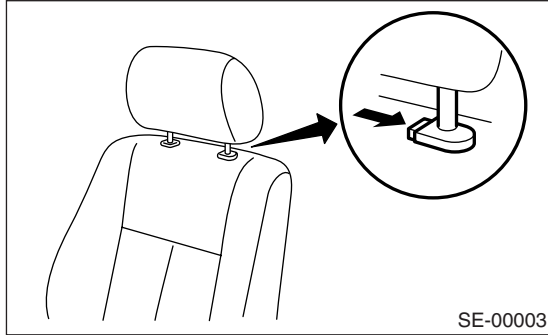
#### A: REMOVAL

1) Disconnect the ground cable from battery.

#### WARNING:

The airbag system is fitted with a backup power source. If the airbag system is serviced within 20 seconds after the ground cable is disconnected, it may inflate.

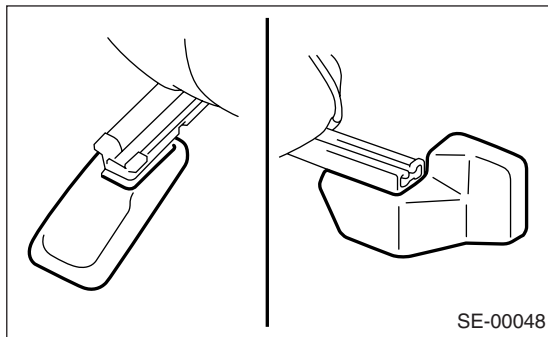
2) While pressing the headrest lock button, remove the headrest.



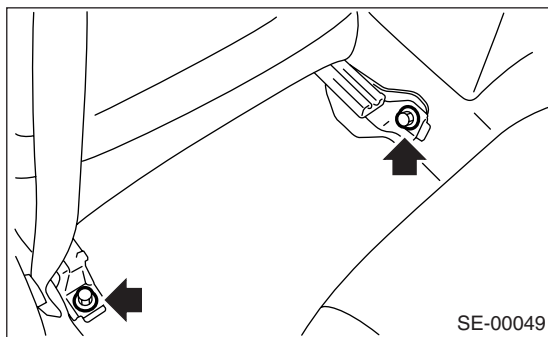
3) Tilt forward the backrest.

4) Move the seat to full front end.

5) Remove the bolt cover at rear end of slide rail.

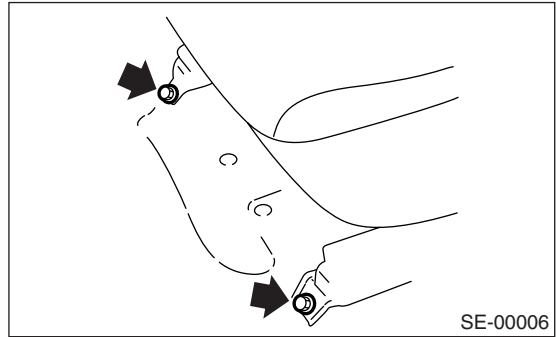


6) Remove the two bolts at rear side of seat rail.



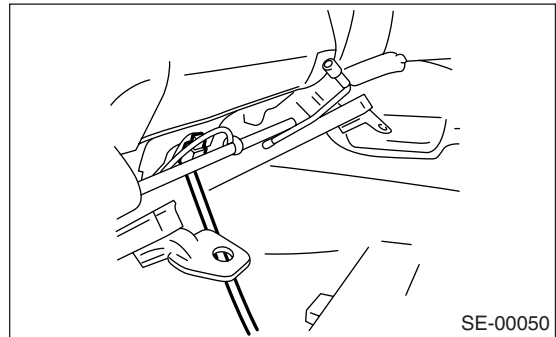
7) Move the seat to full rear end.

8) Remove the two bolts at front side of seat rail.



9) Disconnect the side airbag connector under seat.

- Side airbag connector
- Seat belt warning light connector (Driver's seat)
- Seat heater connector (Model with seat heater)



10) Remove the front seat from the vehicle.

#### B: INSTALLATION

Install in the reverse order of removal.

#### Tightening torque:

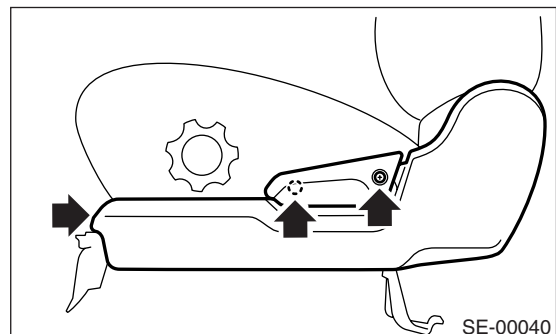
Refer to **COMPONENT** in *General Description*. <Ref. to SE-2, **FRONT SEAT, COMPONENT, General Description**.>

#### C: DISASSEMBLY

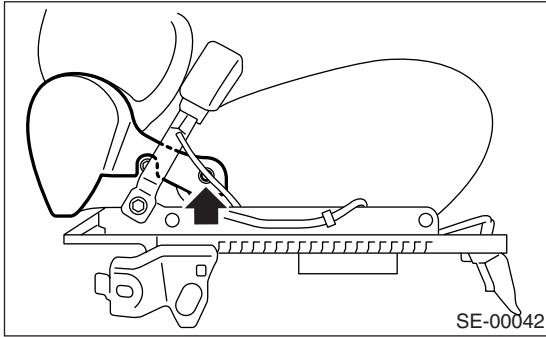
##### 1. DRIVER'S SEAT

1) Remove the seat from the vehicle. <Ref. to SE-6, **REMOVAL, Front Seat**.>

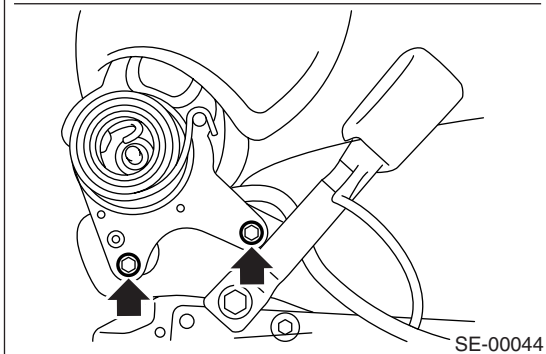
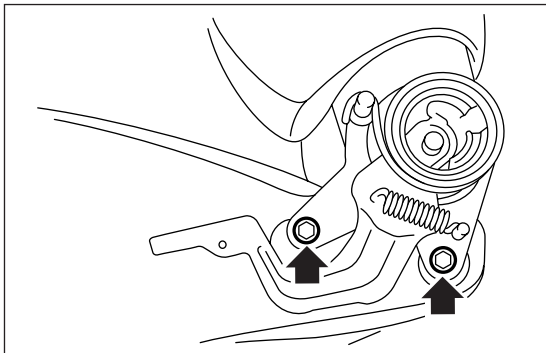
2) Remove the reclining lever and reclining hinge cover.



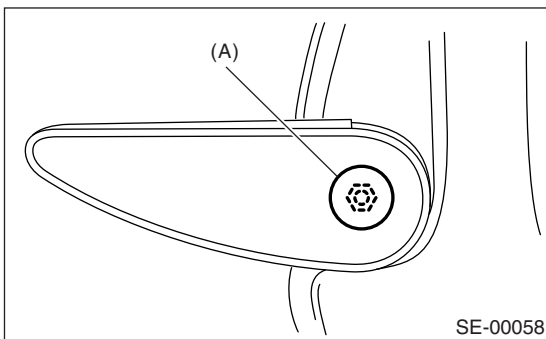
3) Loosen the screw, and then remove the hinge cover.



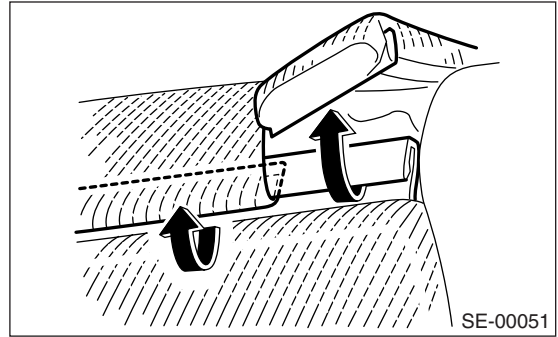
4) Remove two reclining hinge securing bolts on each side.



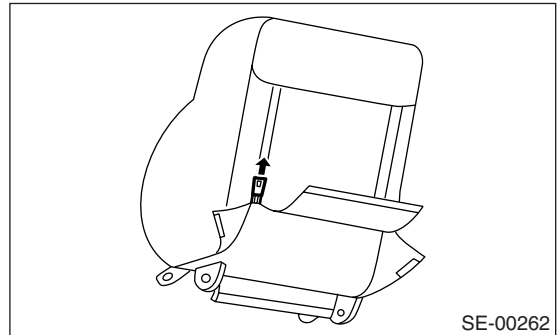
5) Remove the cover (A), and then loosen the nuts to remove arm rest and arm rest guide plate.



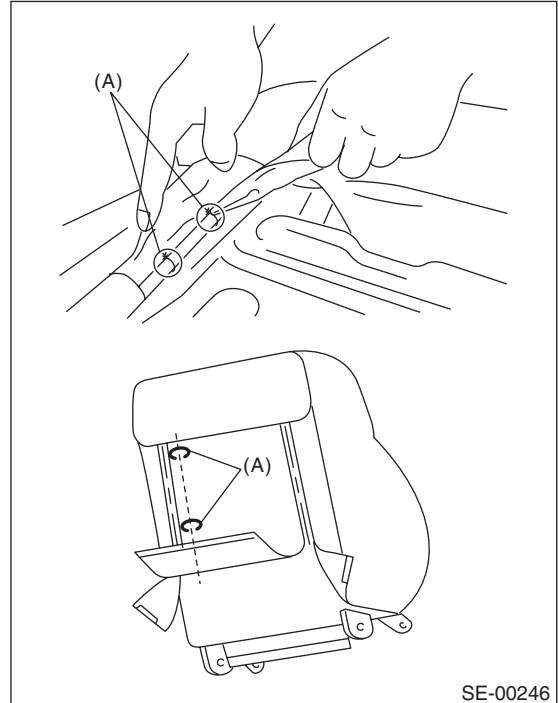
6) Remove the hook at bottom of seat backrest.



7) Open the zipper behind backrest.



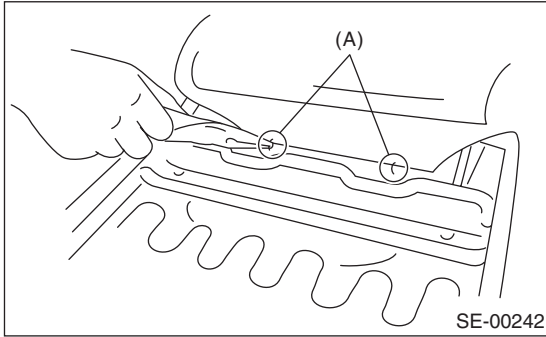
8) Remove the hog rings (A) at side of inside backrest from backrest frame. (Side airbag equipped seat)



# FRONT SEAT

## SEATS

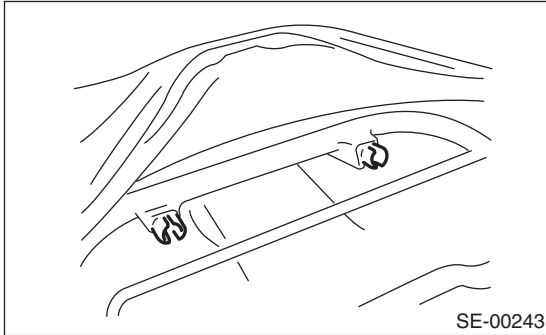
9) Remove the hog rings (A) which secure the backrest cover and backrest pad.



10) Remove the headrest bushes.

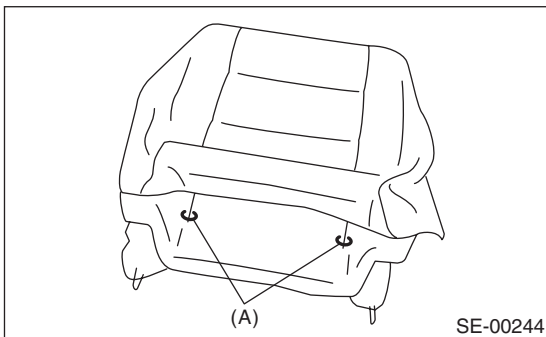
**NOTE:**

Push the headrest bushes to outside of seat from inside, and then remove them.

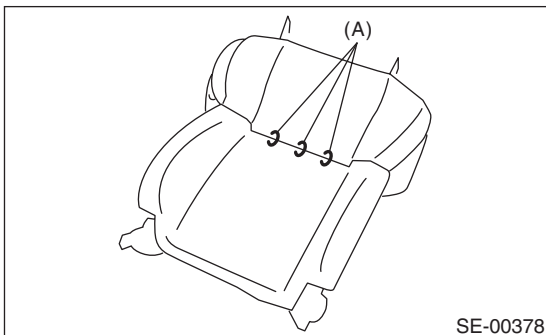


11) Pull out the backrest frame.

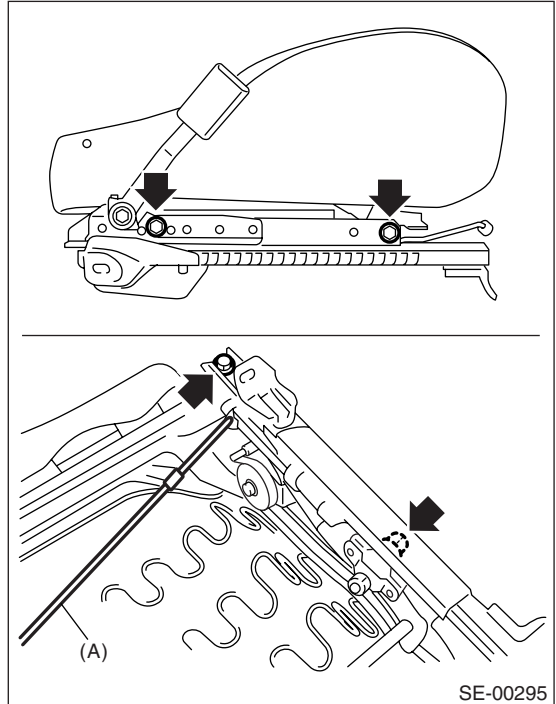
12) Remove the hog rings (A) at bottom of seat back.



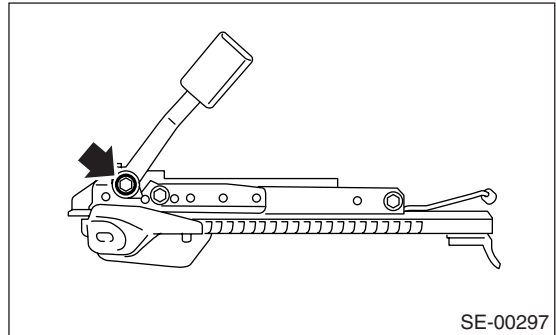
13) Remove the hog rings (A) at front of seat back, and then remove the seat back cover from seat back.



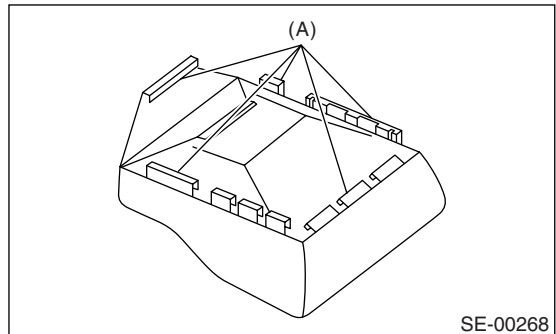
14) Remove the connecting wire (A), and then loosen the bolts and nuts to remove side rail.



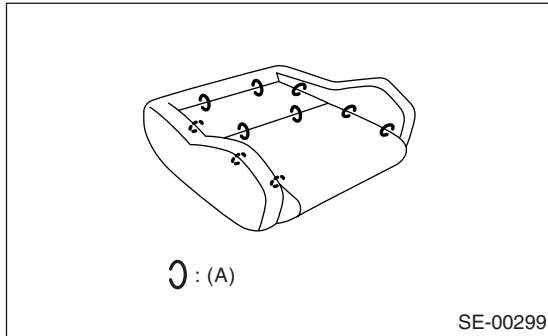
15) Remove the inner belt.



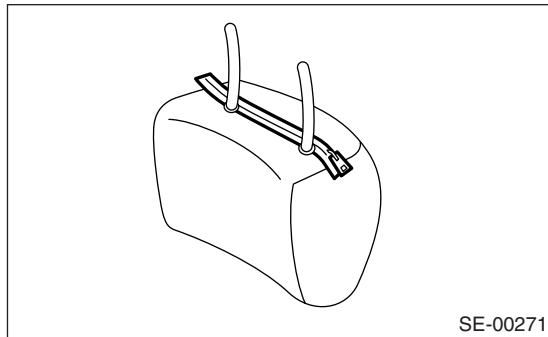
16) Remove the hook (A), and then remove the seat cushion frame.



17) Remove the hog rings (A), and then remove the seat cushion cover from seat cushion pad.



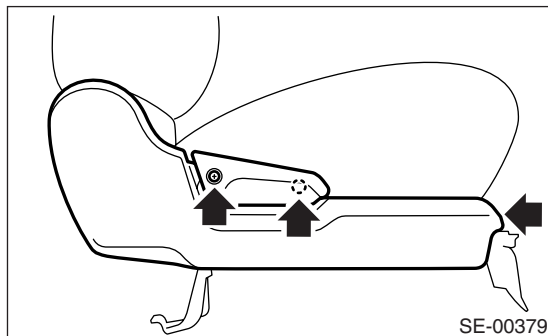
18) Open the zipper at bottom of headrest, and then remove the headrest cover from headrest.



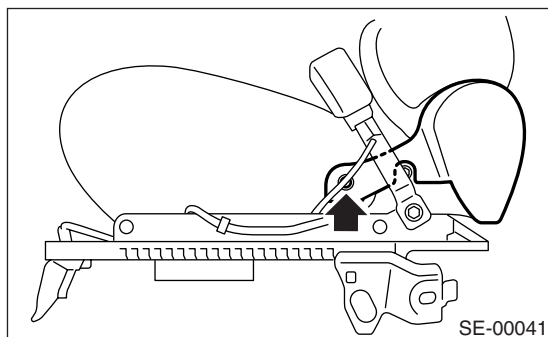
## 2. PASSENGER'S SEAT

1) Remove the seat from vehicle. <Ref. to SE-6, REMOVAL.>

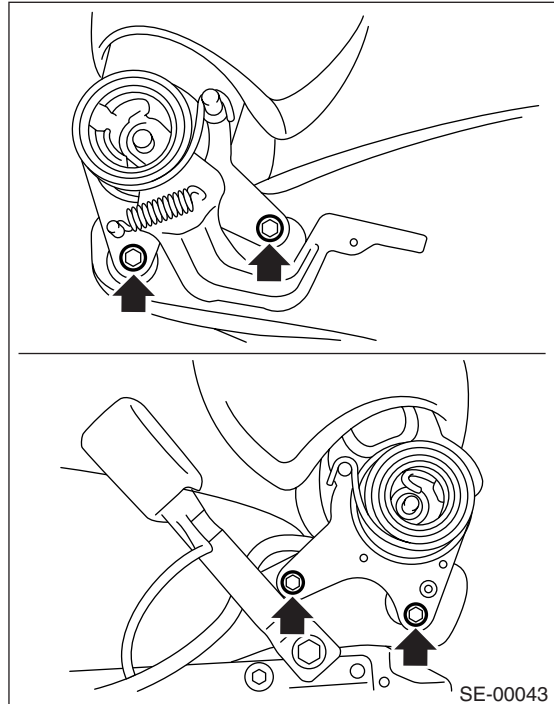
2) Remove the reclining lever cover and hinge cover.



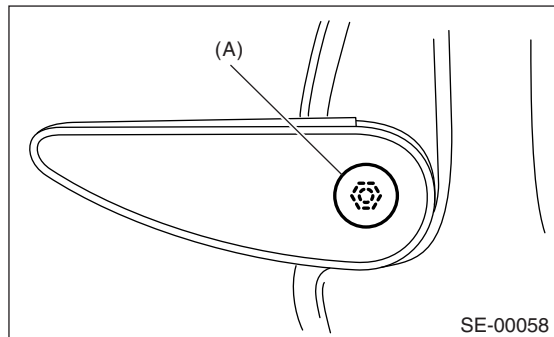
3) Loosen the screw, and then remove the hinge cover.



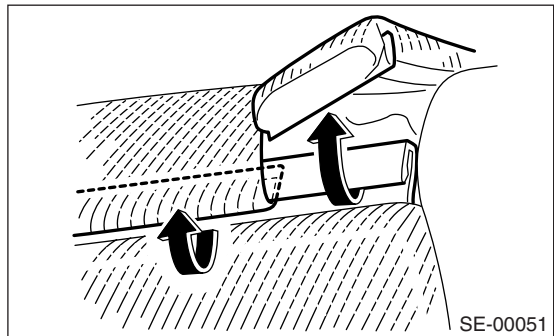
4) Remove two bolts from the reclining hinge on each side.



5) Remove the cover (A), and then loosen the nuts to remove arm rest and arm rest guide plate.



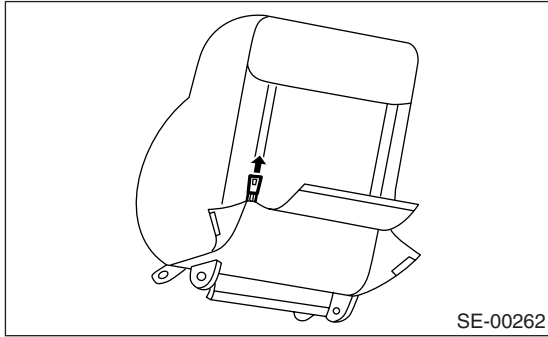
6) Remove the hook at bottom of seat back rest.



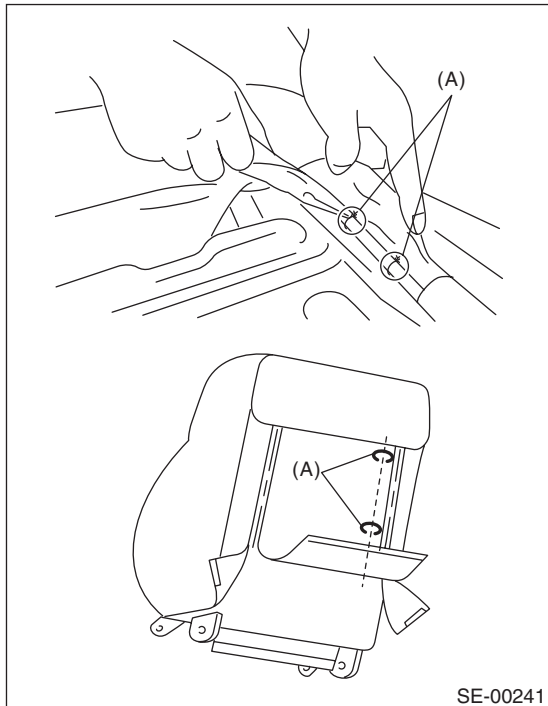
# FRONT SEAT

## SEATS

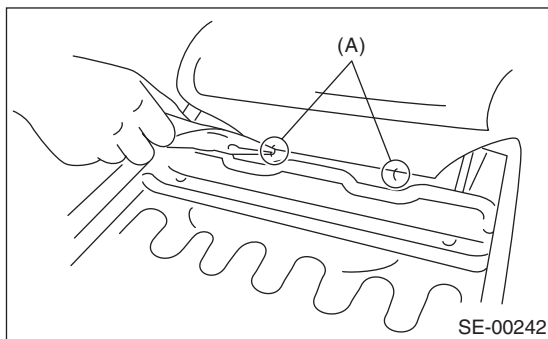
7) Open the zipper behind backrest.



8) Remove the hog rings (A) at side of inside backrest from backrest frame. (Side airbag equipped seat)



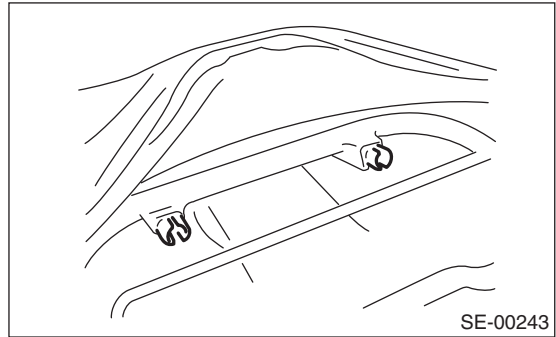
9) Remove the hog rings (A) which secure the backrest cover and backrest pad.



10) Remove the headrest bushes.

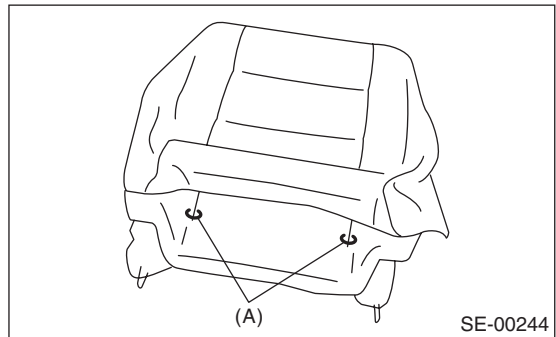
### NOTE:

Push the headrest bushes to outside of seat from inside, and then remove them.

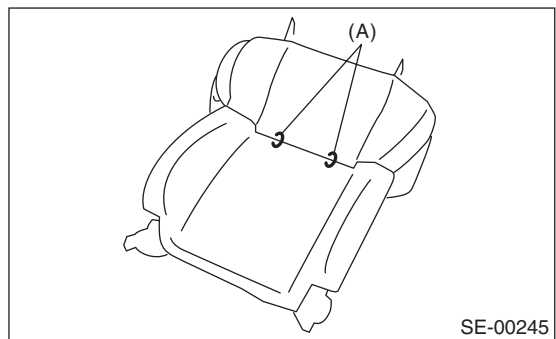


11) Pull out the backrest frame.

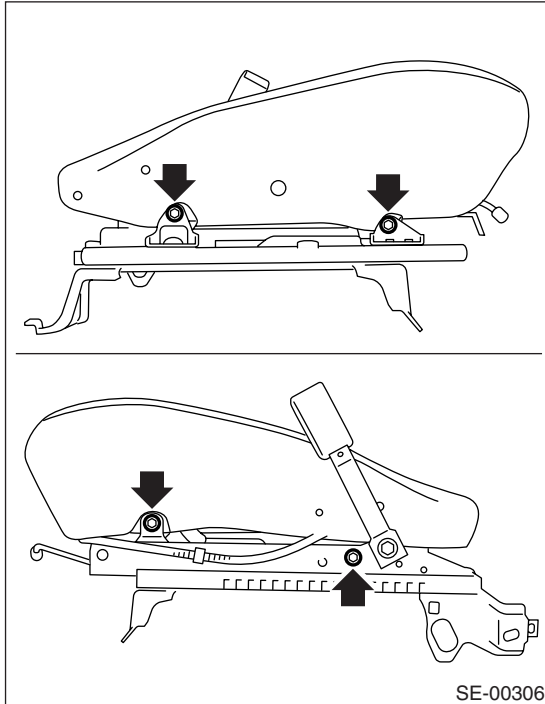
12) Remove the hog rings (A) at bottom of seat back. (Side airbag equipped seat)



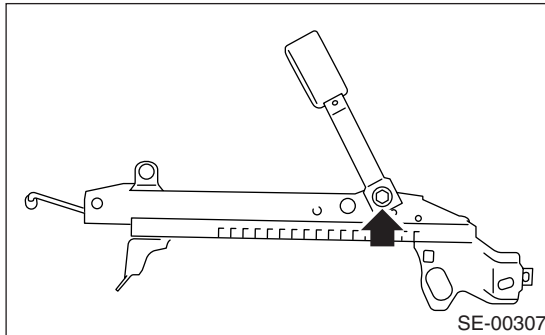
13) Remove the hog rings (A) at front of seat back, and then remove the seat back cover from seat back.



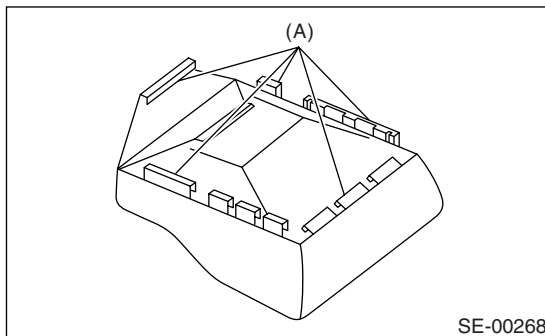
14) Loosen the bolts and nuts to remove the seat cushion from slide rail.



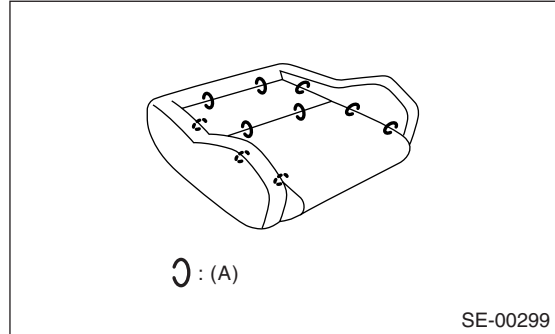
15) Remove the inner belt.



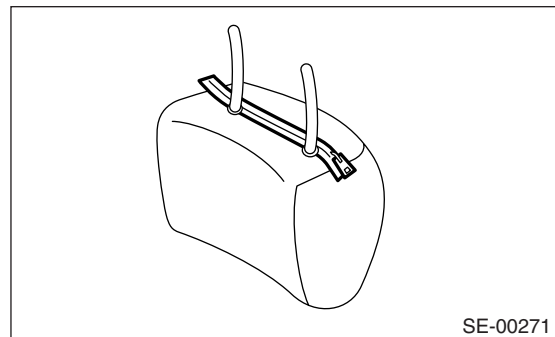
16) Remove the hooks (A), and then remove the seat cushion frame.



17) Remove the hog rings (A), and then remove the seat cushion cover from seat cushion pad.



18) Open the zipper at bottom of headrest, and then remove the headrest cover from headrest.



## D: ASSEMBLY

### 1. DRIVER'S SIDE

Assemble in the reverse order of disassembly.

### 2. PASSENGER'S SIDE

Assemble in the reverse order of disassembly.

#### CAUTION:

Because it may cause the side airbag to activate incorrectly, observe the following steps to install the side airbag correctly.

- Be careful not to dirty or damage the backrest cover.
- Always use new hog rings.
- Secure the hog ring using hog ring pliers.
- Install the hog ring to its original position, and not to twist or wrinkle the backrest cover.

#### Tightening torque:

Refer to "COMPONENT" of "General Description". <Ref. to SE-2, FRONT SEAT, COMPONENT, General Description.>

#### **E: INSPECTION**

Inspect that there is no tear and fray on backrest cover assembly.

#### **NOTE:**

When there is tear or fray on the door side of backrest cover assembly, replace the backrest cover assembly with a new one, because there is a possibility that the side airbag will not operate normally.