

SUNROOF MOTOR

SUNROOF/T-TOP/CONVERTIBLE TOP (SUNROOF)

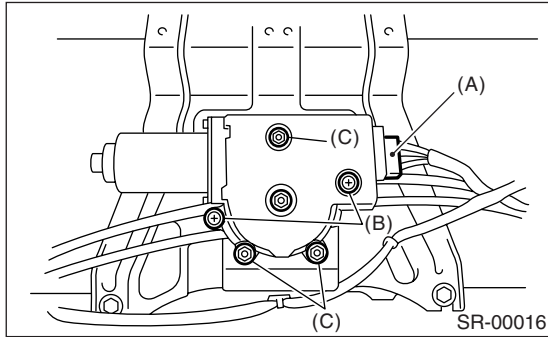
5. Sunroof Motor

A: REMOVAL

CAUTION:

- Fully close sunroof when removing sunroof motor.
- When removing clip, use great care to not damage the roof trim.

- 1) Completely close the sunroof.
- 2) Disconnect the ground cable from battery.
- 3) Remove roof trim. <Ref. to EI-44, REMOVAL, Roof Trim.>
- 4) Disconnect harness connector (A) and remove sunroof motor mounting screw (B) and nut (C).



B: INSTALLATION

CAUTION:

Be careful not to move the sunroof cable when installing sunroof motor.

- 1) Install sunroof motor.
- 2) Connect sunroof motor harness connector and then connect battery ground cable.
- 3) Reset the sunroof motor. <Ref. to SR-8, ADJUSTMENT, Sunroof Motor.>
- 4) Check sunroof operation with the following procedure.

Checking order	Switch position
(1) Completely close sunroof.	Closed
(2) Open sunroof 500 mm (19.7 in) away from completely closed position.	Open
(3) Completely open sunroof.	Open
(4) Close sunroof 200 mm (7.87 in) from completely closed position.	Closed
(5) Completely close sunroof.	Closed

- 5) Install the roof trim. <Ref. to EI-44, INSTALLATION, Roof Trim.>

C: ADJUSTMENT

- 1) Reset the sunroof motor.
 - (1) Close the sunroof lid completely, and then push the switch to close for more than 1 second. (At this time, the sunroof operates 50 mm (1.97 in) each intermittently. And also the switch is needed to push for several times.)
 - (2) Open the sunroof lid approx. 400 mm (15.75 in).
 - (3) Close the sunroof lid completely, and then push the switch to close for more than 1 second. (Sunroof operates automatically by performing this operation.)

D: INSPECTION

1. AUTO REVERSE FUNCTION

- 1) Open the sunroof lid.
- 2) While the sunroof lid closing automatically, press the switch to open and check if auto reverse function operates properly.
- 3) Check that the sunroof opens 150 mm (5.91 in) by auto reverse function operated.

CAUTION:

Do not check the auto reverse operation with pinching any object.

NOTE:

- Auto function is canceled if auto reverse function operates more than five times.
- Reset if auto function is canceled. <Ref. to SR-8, ADJUSTMENT, Sunroof Motor.>