

FRONT FOG LIGHT SYSTEM

LIGHTING SYSTEM

3. Front Fog Light System

A: WIRING DIAGRAM

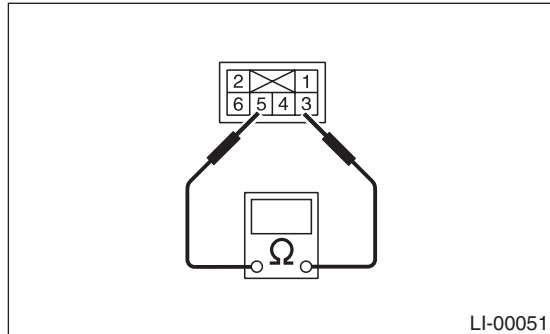
1. FRONT FOG LIGHT

<Ref. to WI-114, SCHEMATIC, Front Fog Light System.>

B: INSPECTION

1. FRONT FOG LIGHT SWITCH

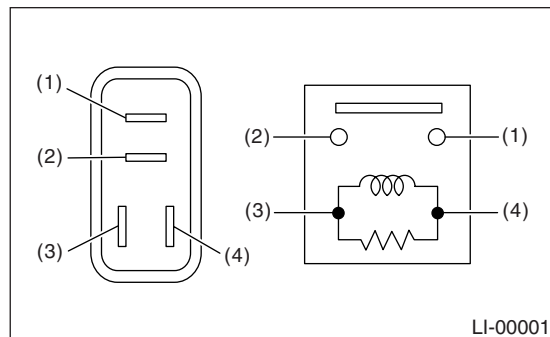
Measure the resistance of front fog light switch.



Switch	Terminal No.	Standard
OFF	3 and 5	More than 1 MΩ
ON		Less than 1 Ω

2. FRONT FOG LIGHT RELAY

Measure the front fog light relay resistance between terminals when connecting terminal No. 4 to battery positive terminal and terminal No. 3 to battery ground terminal.



Switch	Terminal No.	Standard
Flow	1 and 2	Less than 1 Ω
No flow		More than 1 MΩ

4. Turn Signal and Hazard Light System

A: WIRING DIAGRAM

1. TURN SIGNAL LIGHT AND HAZARD LIGHT

<Ref. to WI-121, SCHEMATIC, Turn Signal Light and Hazard Light System.>

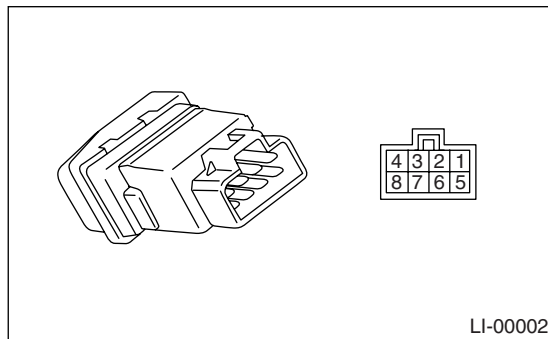
B: INSPECTION

1. TURN SIGNAL SWITCH

<Ref. to LI-9, INSPECTION, Combination Switch (Light).>

2. HAZARD SWITCH

Measure the hazard switch resistance.



Switch position	Terminal No.	Standard
OFF	6 and 7	Less than 1 Ω
ON	1, 3 and 4	Less than 1 Ω
	7 and 8	Less than 1 Ω

3. TURN SIGNAL AND HAZARD MODULE

Connect the battery and turn signal light bulb to the module, as shown in the figure. The module is properly functioning if it blinks when power is supplied to the circuit.

