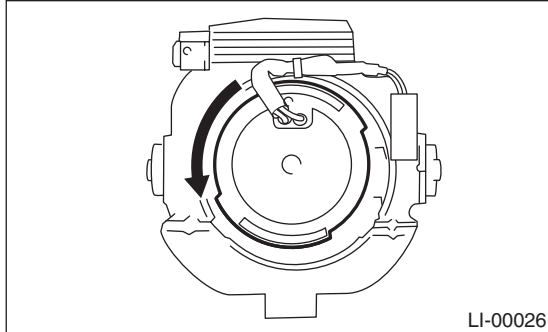


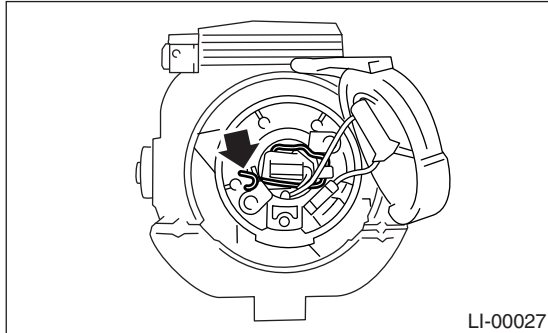
15. Front Fog Light Bulb

A: REMOVAL

- 1) Remove the front fog light assembly. <Ref. to LI-16, REMOVAL, Front Fog Light Assembly.>
- 2) Remove the back cover.



- 3) Remove the spring retainer, and then detach the fog light bulb.



B: INSTALLATION

Install in the reverse order of removal.

C: INSPECTION

- 1) Visually check the bulb for blow out.
- 2) Check the bulb specification. <Ref. to LI-2, SPECIFICATIONS, General Description.>
- 3) If NG, replace the bulb with a new one.