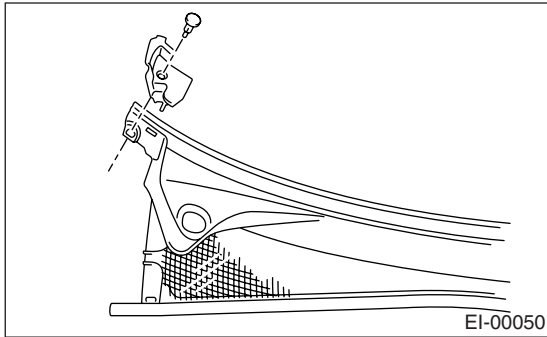


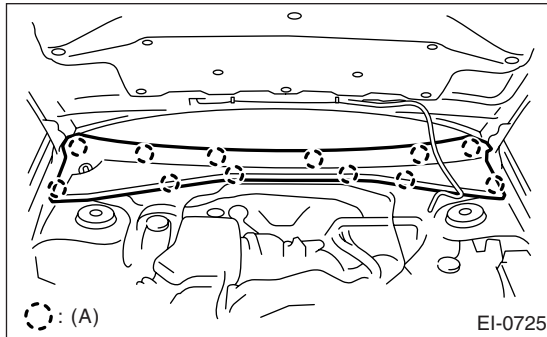
7. Cowl Panel

A: REMOVAL

- 1) Open the front hood.
- 2) Remove the wiper arm. <Ref. to WW-12, REMOVAL, Front Wiper Arm.>
- 3) Remove the clips to remove cowl side panels.



- 4) Loosen the clips to remove cowl panel.



(A) Clip

B: INSTALLATION

Install in the reverse order of removal.