

# SUBARU SELECT MONITOR

## CRUISE CONTROL SYSTEM (DIAGNOSTICS)

### 5. Subaru Select Monitor

#### A: OPERATION

##### 1. GENERAL

The on-board diagnosis function of the cruise control system uses the Subaru Select Monitor.

The on-board diagnosis function operates in two categories, which are used depending on the type of problems;

##### 1) Cruise cancel conditions diagnosis:

(1) This category of diagnosis requires actual vehicle driving in order to determine the cause, (as when cruise speed is cancelled during driving although cruise cancel condition is not entered).

(2) Cruise control module memory stores the cancel condition (Code No.) which occurred during driving. When there are plural cancel conditions (Code No.), they are shown on the Subaru Select Monitor.

#### CAUTION:

- The cruise control memory stores not only the cruise “cancel” which occurred (although “cancel” operation is not entered by the driver), but also the “cancel” condition input by the driver.
- The content of memory is cleared when ignition switch or cruise main switch is turned OFF.

##### 2) Real-time diagnosis:

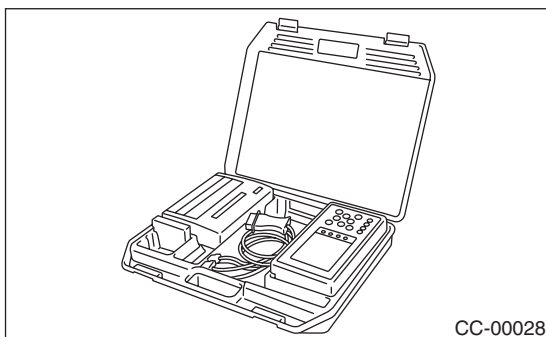
The real-time diagnosis function is used to determine whether or not the input signal system is in good order, according to signal emitted from switches, sensors, etc.

(1) Vehicle cannot be driven at cruise speed because problem occurs in the cruise control system or its associated circuits.

(2) Monitor the signal conditions from switches and sensors.

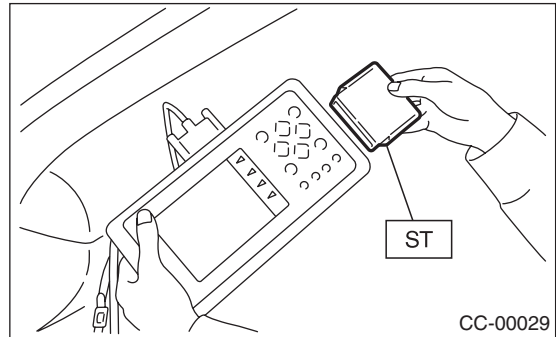
#### 2. CRUISE CANCEL CONDITIONS DIAGNOSIS

##### 1) Prepare the Subaru Select Monitor kit.



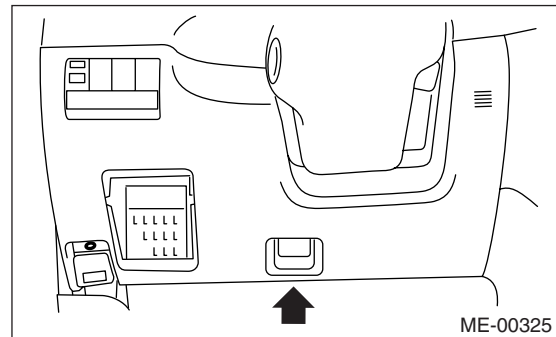
##### 2) Connect the diagnosis cable to Subaru Select Monitor.

##### 3) Insert the cartridge into Subaru Select Monitor. <Ref. to CC(H4SO)-4, SPECIAL TOOLS, PREPARATION TOOL, General Description.>



##### 4) Connect the Subaru Select Monitor to data link connector.

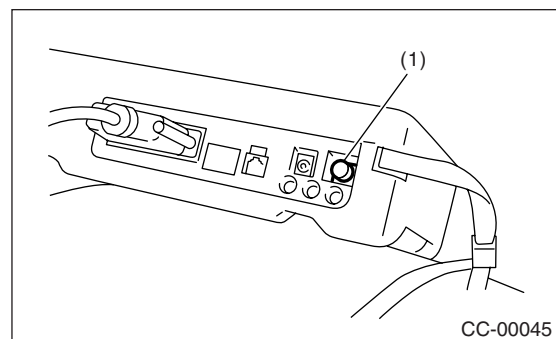
(1) Data link connector is located in the lower portion of the instrument panel (on the driver's side).



(2) Connect the diagnosis cable to data link connector.

##### 5) Start the engine and turn the cruise control main switch to ON.

##### 6) Turn the Subaru Select Monitor switch to ON.



(1) Power switch

# SUBARU SELECT MONITOR

## CRUISE CONTROL SYSTEM (DIAGNOSTICS)

---

7) On the Main Menu display screen, select the {All System Diagnosis} and press [YES] key.

### NOTE:

The DTC is also shown in the {Each System Check} mode. This mode is called up on the Cruise Control Diagnosis screen by selecting the item {Cancel Code(s) Display}.

8) Drive the vehicle at least 30 km/h (19 MPH) with cruise speed set.

9) If the cruise speed is canceled itself (without doing any cancel operations), a DTC will appear on select monitor display.

### CAUTION:

- **A DTC will also appear when cruise cancel is effected by driver. Do not confuse.**
- **Have a co-worker ride in the vehicle to assist in diagnosis during driving.**

### NOTE:

DTC will be cleared by turning the ignition switch or cruise control main switch to OFF.

## 3. REAL-TIME DIAGNOSIS

1) Connect the select monitor.

2) Turn the ignition switch and cruise control main switch to ON.

3) Turn the Subaru Select Monitor switch to ON.

4) On the Main Menu display screen, select the {Each System Check} and press [YES] key.

5) On the System Selection Menu display screen, select the {Cruise Control} and press [YES] key.

6) Press the [YES] key after displayed the information of engine type.

7) On the Cruise Control Diagnosis display screen, select the {Current Data Display & Save} and press [YES] key.

8) Make sure that normal indication is displayed when controls are operated as indicated below:

- Depress the brake pedal, and then release. (Stop light switch and brake switch turn ON or OFF.)
- Turn ON or OFF the “SET/COAST” switch.
- Turn ON or OFF the “RESUME/ACCEL” switch.
- Depress/release the clutch pedal. (MT model)
- Set the selector lever to P or N. (AT model)

### NOTE:

• For detailed operation procedure, refer to the SUBARU SELECT MONITOR OPERATION MANUAL.

• For details concerning DTCs, refer to the List of DTC. <Ref. to CC(H4SO)-26, List of DTC.>