

# TRANSMISSION MOUNTING SYSTEM

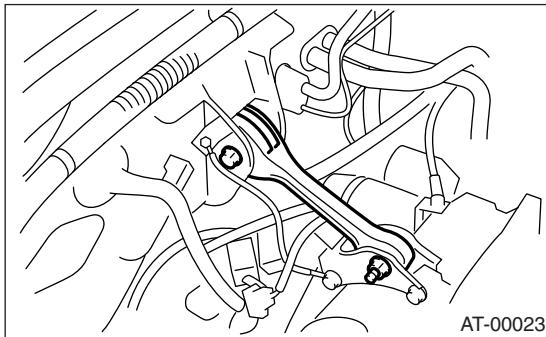
## MANUAL TRANSMISSION AND DIFFERENTIAL

### 4. Transmission Mounting System

#### A: REMOVAL

##### 1. PITCHING STOPPER

- 1) Disconnect the ground cable from battery.
- 2) Remove the air intake duct and cleaner case.
- 3) Remove the air intake duct. (Non-turbo model)  
<Ref. to IN(H4SO)-7, REMOVAL, Air Intake Duct.>
- 4) Remove the air cleaner case. (Non-turbo model)  
<Ref. to IN(H4SO)-6, REMOVAL, Air Cleaner Case.>
- 5) Remove the intercooler (Turbo model). <Ref. to IN(H4DOTC)-10, REMOVAL, Intercooler.>
- 6) Remove the pitching stopper.



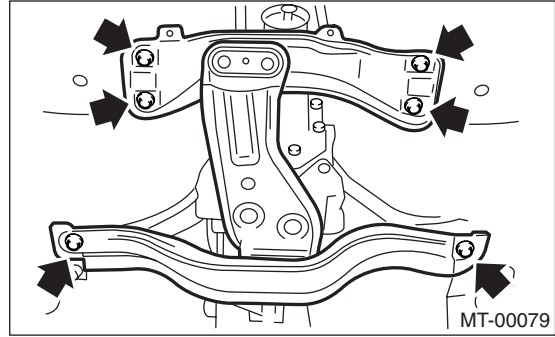
##### 2. CROSSMEMBER AND CUSHION RUBBER

- 1) Disconnect the ground cable from battery.
- 2) Jack-up the vehicle and support it with sturdy racks.
- 3) Remove the front and center exhaust pipes. (Non-turbo model)  
<Ref. to IN(H4SO)-7, REMOVAL, Air Intake Duct.>  
<Ref. to EX(H4SO)-4, REMOVAL, Front Exhaust Pipe.>
- 4) Remove the center exhaust pipe. (Turbo model)  
<Ref. to EX(H4DOTC)-8, REMOVAL, Center Exhaust Pipe.>
- 5) Remove the rear exhaust pipe and muffler.
- 6) Remove the heat shield cover.
- 7) Set the transmission jack under the transmission body.

#### CAUTION:

Always support the transmission case with a transmission jack.

- 8) Remove the rear crossmember.



- 9) Remove the rear cushion rubber.

#### B: INSTALLATION

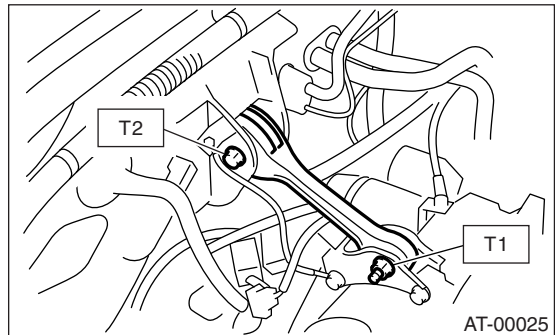
##### 1. PITCHING STOPPER

- 1) Install the pitching stopper.

#### Tightening torque:

**T1: 50 N·m (5.1 kgf-m, 37 ft-lb)**

**T2: 58 N·m (5.9 kgf-m, 43 ft-lb)**



- 2) Install the air intake duct and cleaner case. (Non-turbo model)  
<Ref. to IN(H4SO)-6, INSTALLATION, Air Cleaner Case.> and <Ref. to IN(H4SO)-7, INSTALLATION, Air Intake Duct.>
- 3) Install the intercooler. (Turbo model) <Ref. to IN(H4DOTC)-11, INSTALLATION, Intercooler.>
- 4) Connect the battery ground cable to battery.

##### 2. CROSSMEMBER AND CUSHION RUBBER

- 1) Install the rear cushion rubber.

#### Tightening torque:

**35 N·m (3.6 kgf-m, 26 ft-lb)**

# TRANSMISSION MOUNTING SYSTEM

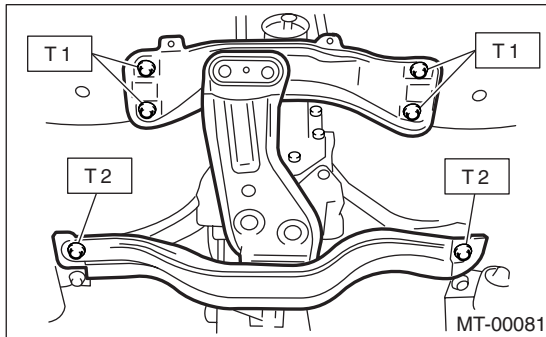
MANUAL TRANSMISSION AND DIFFERENTIAL

2) Install the rear crossmember.

**Tightening torque:**

**T1: 70 N·m (7.1 kgf-m, 51 ft-lb)**

**T2: 140 N·m (14.3 kgf-m, 103 ft-lb)**



3) Remove the transmission jack.

4) Install the heat shield cover.

5) Install the front and center exhaust pipes. (Non-turbo model)

<Ref. to EX(H4SO)-5, INSTALLATION, Front Exhaust Pipe.>

6) Install the center exhaust pipe. (Turbo model)  
<Ref. to EX(H4DOTC)-9, INSTALLATION, Center Exhaust Pipe.>

7) Install the rear exhaust pipe and muffler.

## C: INSPECTION

Repair or replace parts if the results of the inspection below are not satisfactory.

### 1. PITCHING STOPPER

Make sure that the pitching stopper is not bent or damaged. Make sure that the rubber is not stiff, cracked, or otherwise damaged.

### 2. CROSSMEMBER AND CUSHION RUBBER

Make sure that the crossmember is not bent or damaged. Make sure that the cushion rubber is not stiff, cracked, or otherwise damaged.