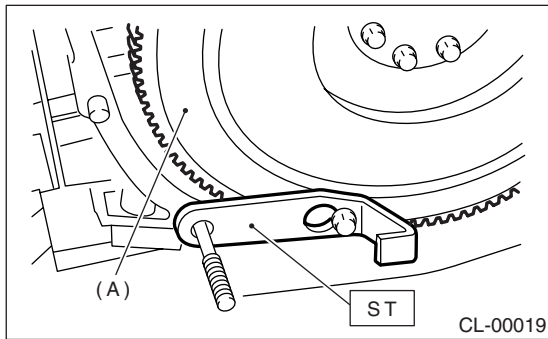


## 3. Flywheel

### A: REMOVAL

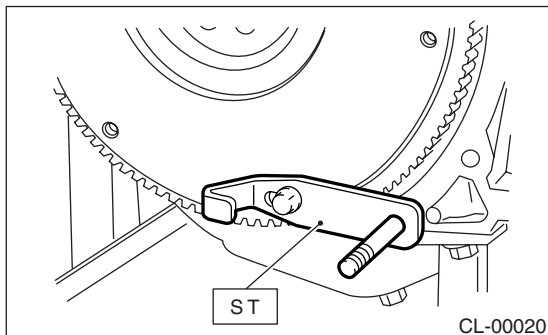
- 1) Remove the transmission assembly. <Ref. to 5MT-28, REMOVAL, Manual Transmission Assembly.>
- 2) Remove the clutch cover and clutch disc. <Ref. to CL-11, REMOVAL, Clutch Disc and Cover.>
- 3) Using the ST, remove the flywheel.  
ST 498497100 CRANKSHAFT STOPPER



(A) Flywheel

### B: INSTALLATION

- 1) Install the flywheel and ST.  
ST 498497100 CRANKSHAFT STOPPER



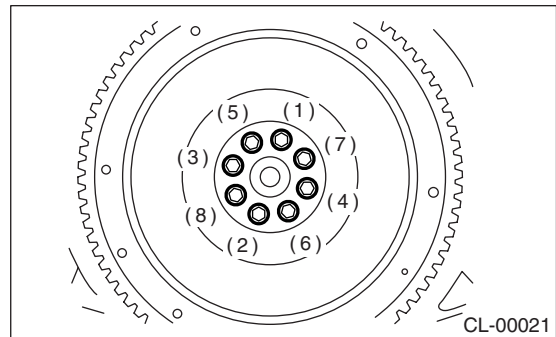
- 2) Tighten the flywheel attaching bolts to the specified torque.

#### NOTE:

Tighten the flywheel installing bolts gradually. Each bolt should be tightened to the specified torque in a crisscross fashion.

#### Tightening torque:

**72 N·m (7.3 kgf-m, 52.8 ft-lb)**



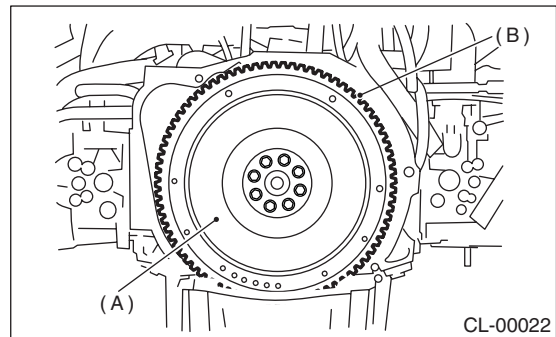
- 3) Install the clutch disc and cover. <Ref. to CL-11, INSTALLATION, Clutch Disc and Cover.>
- 4) Install the transmission assembly. <Ref. to 5MT-31, INSTALLATION, Manual Transmission Assembly.>

### C: INSPECTION

#### CAUTION:

Since this bearing is grease sealed and is of a non-lubrication type, do not wash with gasoline or any solvent.

- 1) Damage of facing and ring gear  
If defective, replace the flywheel.



(A) Flywheel  
(B) Ring gear

- 2) Smoothness of rotation  
Rotate the ball bearing applying pressure in thrust direction.
- 3) If noise or excessive play is noted, replace the flywheel.