

9. Clutch Fluid Air Bleeding

A: PROCEDURE

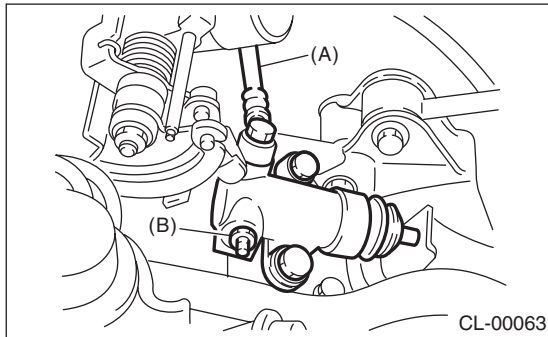
1. NON-TURBO MODEL

NOTE:

Bleed air from the oil line with help of co-worker.

1) Remove the air cleaner case and air intake duct. <Ref. to IN(H4SO)-6, REMOVAL, Air Cleaner Case.> and <Ref. to IN(H4SO)-7, REMOVAL, Air Intake Duct.>

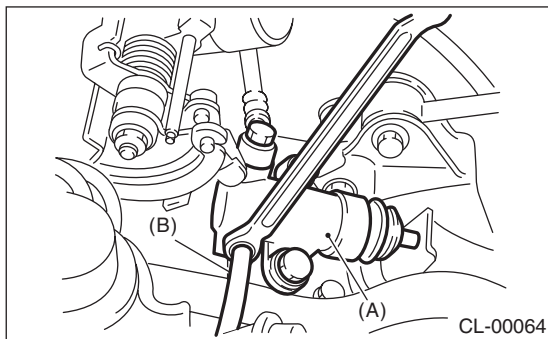
2) Fit one end of a vinyl tube into the air bleeder of operating cylinder and put the other end into a brake fluid container.



(A) Clutch hose
(B) Air bleeder

3) Slowly depress the clutch pedal and keep it depressed. Then open the air bleeder to discharge air together with the fluid.

Release the air bleeder for 1 or 2 seconds. Next, with the bleeder closed, slowly release the clutch pedal.



(A) Operating cylinder
(B) Vinyl tube

4) Repeat these steps until there are no more air bubbles in the vinyl tube.

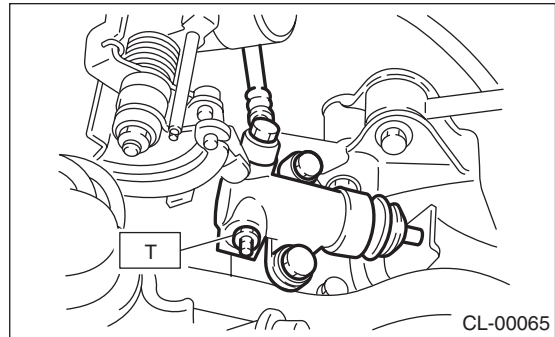
CAUTION:

Cover the bleeder with waste cloth when loosening it, to prevent brake fluid from being splashed over surrounding parts.

5) Tighten the air bleeder.

Tightening torque:

8 N·m (0.8 kgf·m, 5.8 ft·lb)



6) After depressing the clutch pedal, make sure that there are no leaks evident in the entire system.

7) After bleeding air from the system, ensure that clutch operates properly.

2. TURBO MODEL

NOTE:

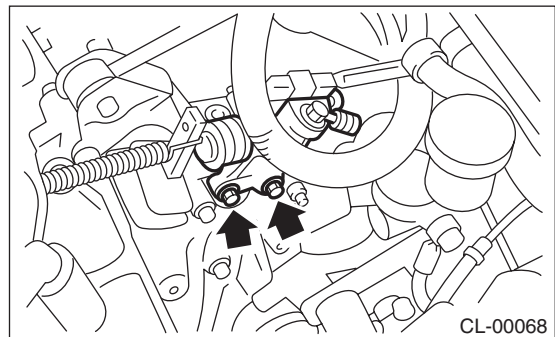
Bleed air from the oil line with help of co-worker.

1) Remove the intercooler. <Ref. to IN(H4DOTC)-10, REMOVAL, Intercooler.>

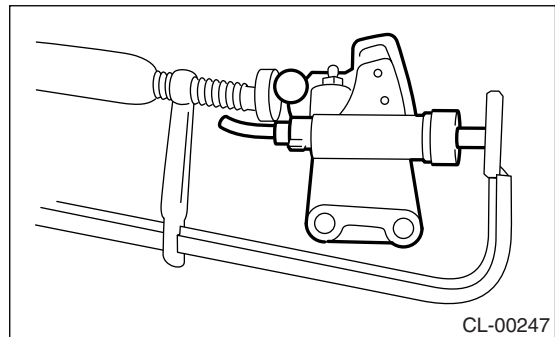
2) Remove the operating cylinder.

NOTE:

Do not remove the clutch hose.



3) Fix the piston with clamp to avoid the piston from jumping out.



4) Fit one end of a vinyl tube into the air bleeder of operating cylinder and put the other end into a brake fluid container.

CLUTCH FLUID AIR BLEEDING

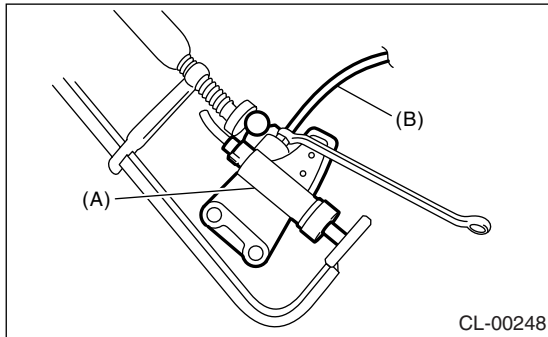
CLUTCH SYSTEM

5) Slowly depress the clutch pedal and keep it depressed. Then open the air bleeder to discharge air together with the fluid.

Release the air bleeder for 1 or 2 seconds. Next, with the bleeder closed, slowly release the clutch pedal.

NOTE:

Set the air breather screw part higher than tip of operating cylinder when performing this procedure.



(A) Operating cylinder

(B) Vinyl tube

6) Repeat these steps until there are no more air bubbles in the vinyl tube.

CAUTION:

Cover the bleeder with waste cloth when loosening it, to prevent brake fluid from being splashed over surrounding parts.

7) Tighten the air bleeder.

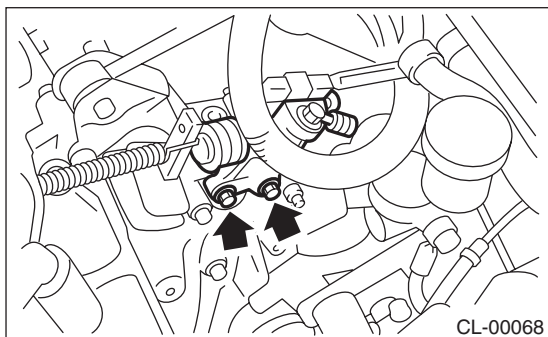
Tightening torque:

8 N·m (0.8 kgf-m, 5.8 ft-lb)

8) Install the operating cylinder.

Tightening torque:

37 N·m (3.8 kgf-m, 27.5 ft-lb)



9) After depressing the clutch pedal, make sure that there are no leaks evident in the entire system.

10) After bleeding air from the system, ensure that clutch operates properly.

11) Install the intercooler. <Ref. to IN(H4DOTC)-11, INSTALLATION, Intercooler.>