

READ DIAGNOSTIC TROUBLE CODE (DTC)

AUTOMATIC TRANSMISSION (DIAGNOSTICS)

7. Read Diagnostic Trouble Code (DTC)

A: OPERATION

1. WITHOUT SUBARU SELECT MONITOR

Step	Check	Yes	No
1 PERFORM READ DTC. 1) Warm-up the engine. 2) Turn the ignition switch to OFF. 3) Turn the ignition switch to ON. 4) Start the engine. 5) Drive the vehicle at speeds greater than 20 km/h (12 MPH). 6) Stop the vehicle. 7) The brake pedal depressed and move select lever to 1 range. 8) Turn the ignition switch to OFF. 9) Turn the ignition switch to ON. 10) Move the select lever "2" range. 11) Move the select lever "1" range. 12) Move the select lever "2" range. 13) Move the select lever "3" range. 14) Move the select lever "D" range.	Does the AT OIL TEMP warning light blink at 4 Hz intervals? NOTE: Blinks every 0.125 (1/8) seconds (until the ignition switch is turned OFF).	Repair the power supply and ground circuit. <Ref. to 4AT(H4SO)-28, CHECK POWER SUPPLY AND GROUND LINE, Diagnostic Procedure for AT OIL TEMP Warning Light.>	Go to step 2.
2 CHECK AT OIL TEMP WARNING LIGHT.	Does the AT OIL TEMP warning light blink at 2 Hz intervals? NOTE: Blinks every 0.25 (1/4) seconds (until ignition switch is turned to OFF).	The AT system is normal.	Go to step 3.
3 CHECK AT OIL TEMP WARNING LIGHT.	Is the DTC outputted by the blink of AT OIL TEMP warning light?	Inspect the problem corresponding with DTC. NOTE: Record all DTCs.	Go to step 4.
4 CHECK AT OIL TEMP WARNING LIGHT.	Does the AT OIL TEMP warning light remain illuminated?	Repair the AT OIL TEMP warning light circuit <Ref. to 4AT(H4SO)-25, Diagnostic Procedure for AT OIL TEMP Warning Light.>, or Inspect inhibitor switch, wiring, TCM, etc.	Calling up the DTC again.

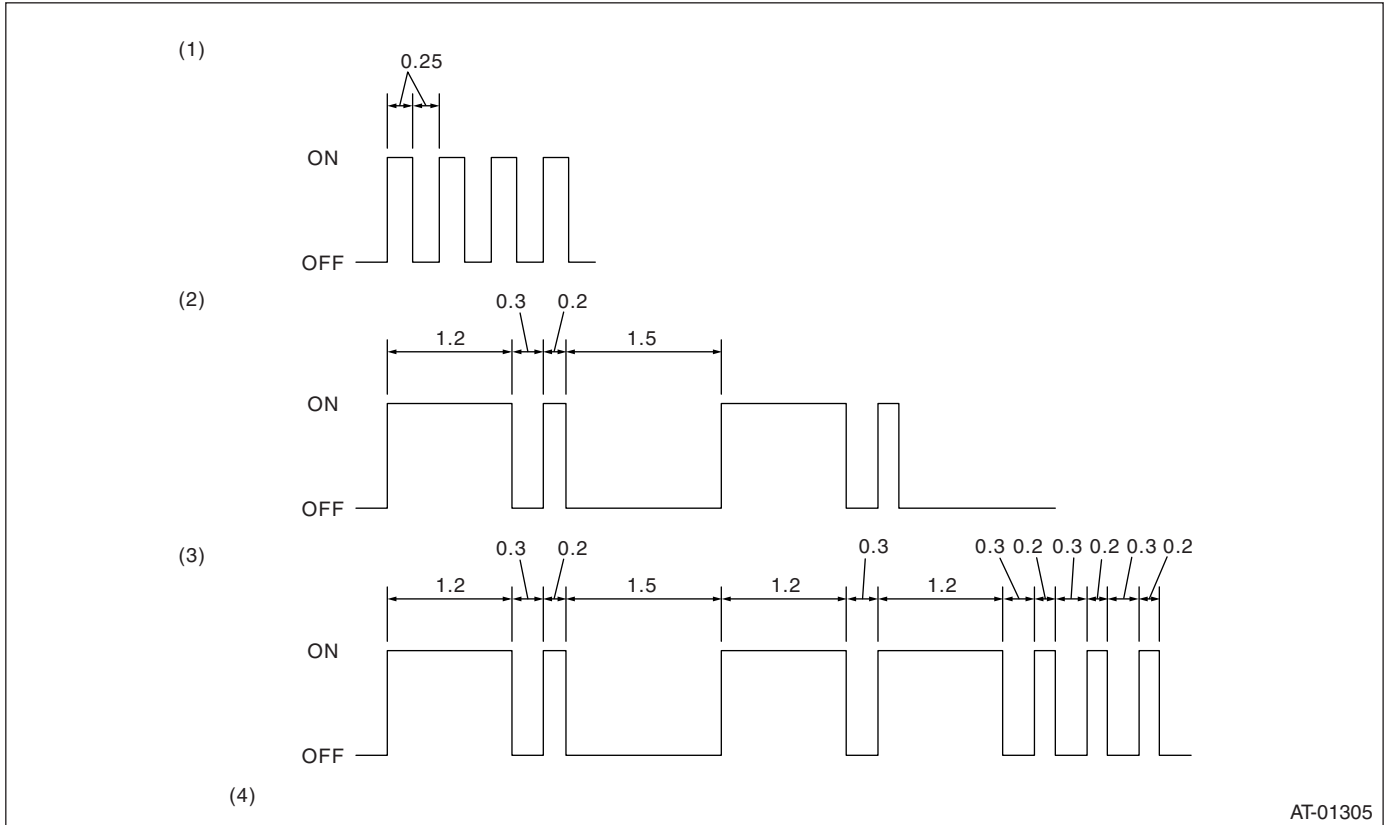
READ DIAGNOSTIC TROUBLE CODE (DTC)

AUTOMATIC TRANSMISSION (DIAGNOSTICS)

• The way of reading DTC

The AT OIL TEMP warning light flashes the code corresponding to faulty part.

The long segment (1.2 sec on) indicates a “ten”, and the short segment (0.2 sec on) signifies a “one”.



(1) Normal code

(3) DTC 11 and 23

(4) Unit: Seconds

(2) DTC 11

2. WITH SUBARU SELECT MONITOR

Refer to Subaru Select Monitor for information about how to obtain and understand DTC. <Ref. to 4AT(H4SO)-16, OPERATION, Subaru Select Monitor.>