

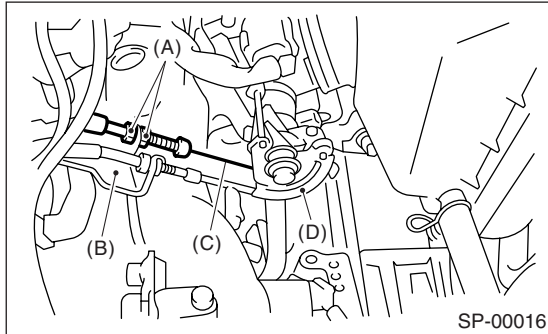
2. Accelerator Pedal

A: REMOVAL

- 1) Disconnect the ground cable from battery.
- 2) Remove the accelerator cable lock nut from accelerator cable bracket.
- 3) Separate the accelerator cable from bracket.
- 4) Remove the accelerator cable end from throttle cam.

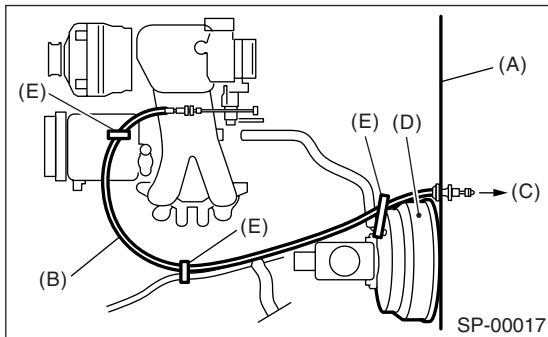
NOTE:

Be careful not to kink the accelerator cable.



- (A) Accelerator cable lock nut
- (B) Accelerator cable bracket
- (C) Accelerator cable
- (D) Throttle cam

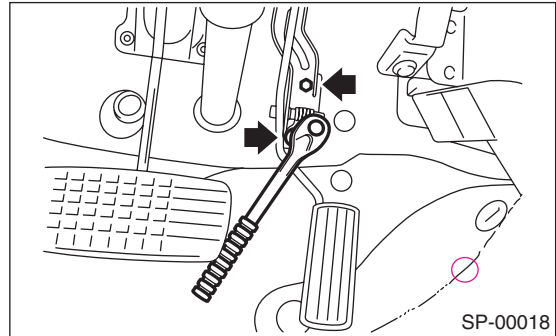
- 5) Remove the clip inside engine compartment.



- (A) Toe board
- (B) Accelerator cable
- (C) To accelerator pedal
- (D) Brake booster
- (E) Clip

- 6) Remove the instrument panel lower cover from instrument panel.

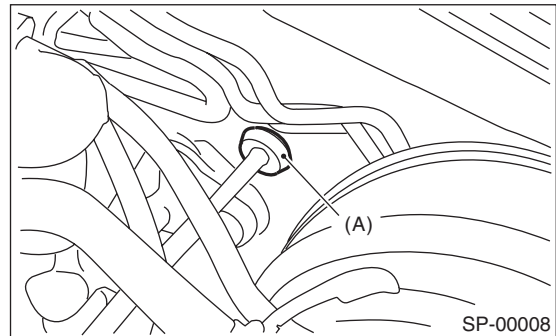
- 7) Remove the accelerator pedal connecting bolt from accelerator pedal bracket.



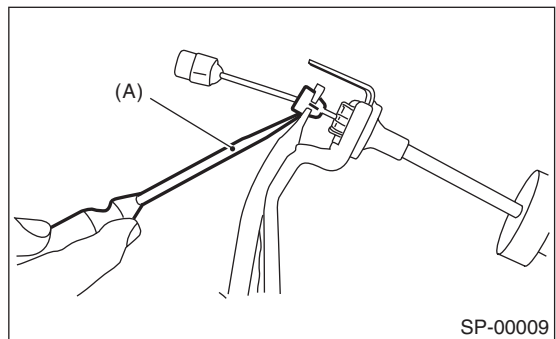
- 8) Disconnect the grommet from toe board.

NOTE:

From the inside compartment, push the grommet (A) into hole.



- 9) Pull out the cable from toe board hole.
- 10) Disconnect the accelerator cable bushing from accelerator pedal lever.

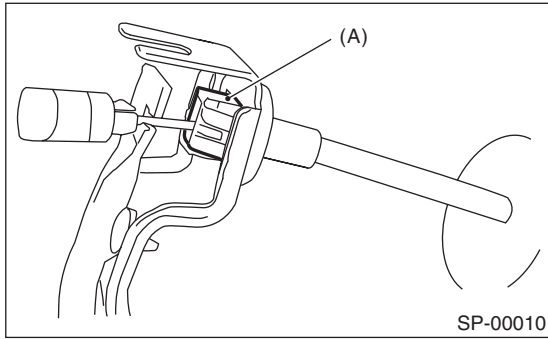


- (A) Flat tip screwdriver

ACCELERATOR PEDAL

SPEED CONTROL SYSTEMS

11) Disconnect the accelerator cable stopper (A) from accelerator bracket.



12) Separate the accelerator cable and accelerator bracket.

B: INSTALLATION

1) Install in the reverse order of removal.

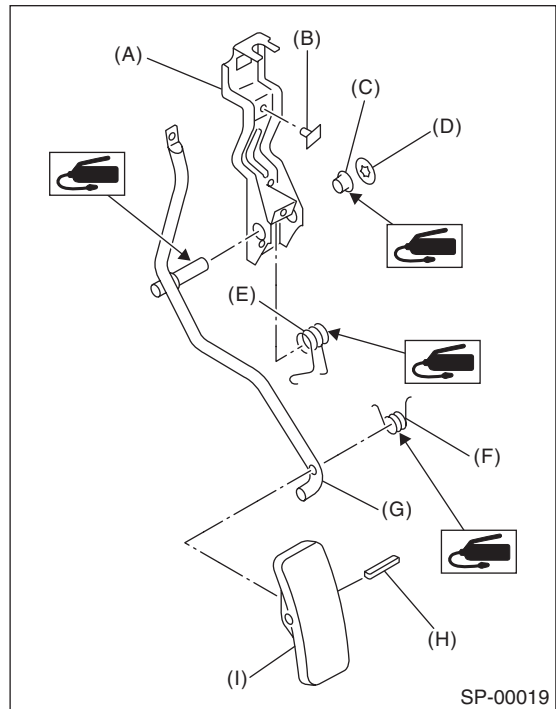
NOTE:

- If the cable clamp is damaged, replace it with a new one.
- Never fail to cover the outer cable end with boot.
- Be careful not to kink the accelerator cable.

2) Install the accelerator pedal, and then adjust it.
<Ref. to SP(H4SO)-5, ADJUSTMENT, Accelerator Pedal.>

C: DISASSEMBLY

- 1) Remove the clip, and then remove the accelerator pedal lever from accelerator bracket.
- 2) Pull out the spring pin, and then remove the accelerator pedal from accelerator pedal lever.



- (A) Accelerator bracket
- (B) Stopper
- (C) Bushing
- (D) Clip
- (E) Accelerator spring
- (F) Accelerator pedal spring
- (G) Accelerator pedal lever
- (H) Spring pin
- (I) Accelerator pedal

D: ASSEMBLY

Assemble in the reverse order of disassembly.

NOTE:

Clean and apply grease to the portions indicated in the figure.

Grease:

Part No. 003602010

SUNLIGHT No.2 or equivalent

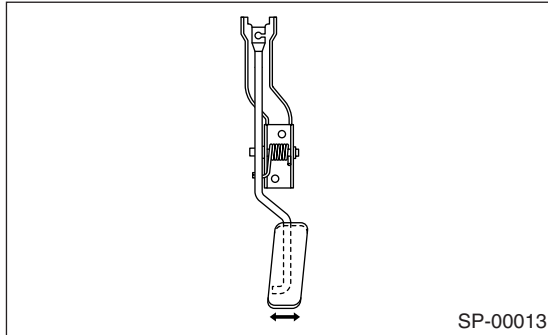
E: INSPECTION

- 1) Lightly move the pedal pad in lateral direction to ensure that pedal deflection is in specified range.
- 2) If excessive deflection is noted, replace the bushing and clip with new ones.

Deflection of accelerator pedal:

Service limit

$\pm 2.0 \text{ mm } (\pm 0.079 \text{ in})$ or less



F: ADJUSTMENT

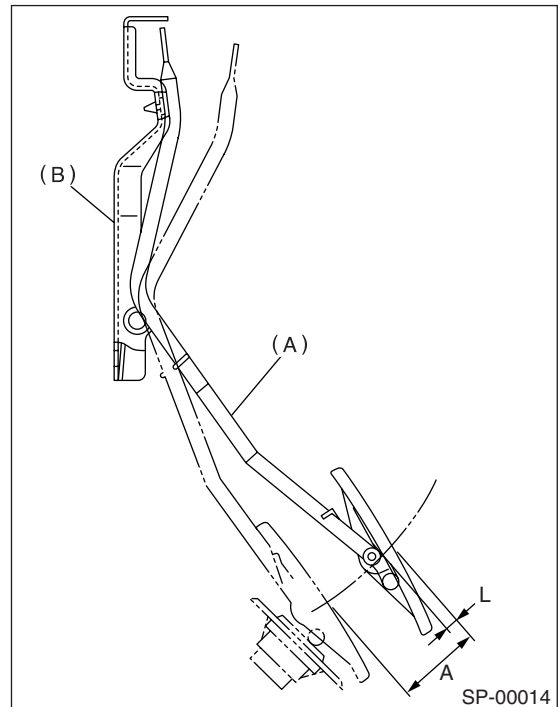
- 1) Check the pedal stroke and free play by operating accelerator pedal by hand.
- 2) If it is not within specified value, adjust it by turning the accelerator cable locknut.

Free play at pedal pad: L

$0 - 4 \text{ mm } (0 - 0.16 \text{ in})$

Stroke at pedal pad: A

$52 - 57 \text{ mm } (2.05 - 2.24 \text{ in})$



(A) Accelerator pedal

(B) Accelerator pedal bracket

Accelerator cable lock nut tightening torque:

$12 \text{ N}\cdot\text{m } (1.2 \text{ kgf}\cdot\text{m}, 9 \text{ ft}\cdot\text{lb})$