

ACCELERATOR CONTROL CABLE

SPEED CONTROL SYSTEMS

3. Accelerator Control Cable

A: REMOVAL

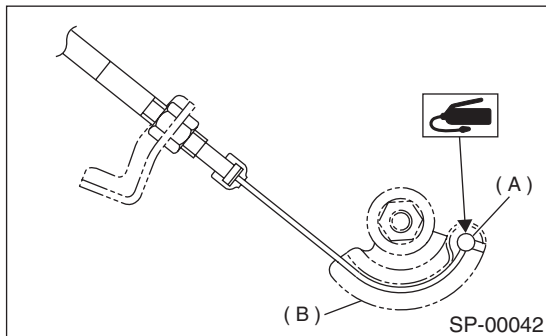
- 1) Remove the accelerator pedal. <Ref. to SP(H4SO)-3, REMOVAL, Accelerator Pedal.>
- 2) Separate the accelerator cable and accelerator pedal.

B: INSTALLATION

- 1) Install in the reverse order of removal.
- 2) Apply grease to indicated portion (accelerator cable end on engine side) described in the following figure.

Grease:

Silicolube G-30M (Part No. 004404002)



- (A) Accelerator cable end
(B) Throttle cam

NOTE:

- If the cable clamp is damaged, replace it with a new one.
- Never fail to cover the outer cable end with boot.
- Be careful not to kink the accelerator cable.

CAUTION:

Apply grease to only indicated portion.

- 3) Adjustment after pedal installation. <Ref. to SP(H4SO)-5, ADJUSTMENT, Accelerator Pedal.>

C: INSPECTION

- 1) Make sure the inner cable is not twisted or frayed.
- 2) Make sure the outer cable is not cracked.