

## 24. Fuel Level Sensor

### A: REMOVAL

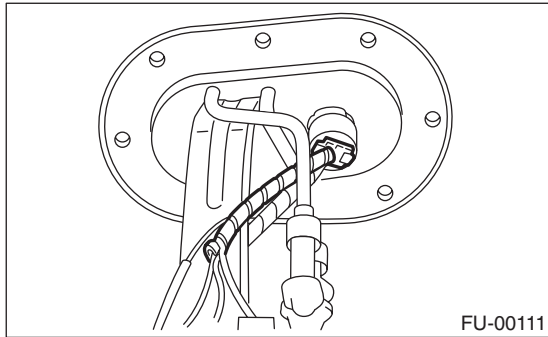
#### WARNING:

- Place “NO FIRE” signs near the working area.
- Be careful not to spill fuel on the floor.

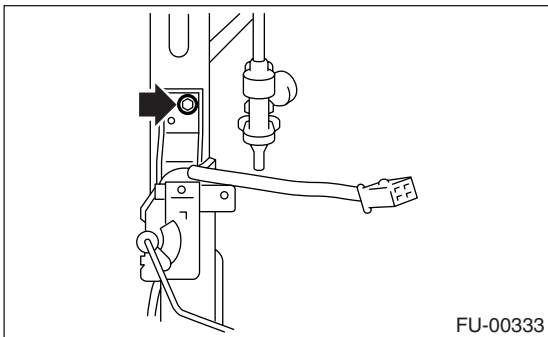
#### NOTE:

Fuel level sensor is built in fuel pump assembly.

- 1) Remove the fuel pump assembly. <Ref. to FU(H4SO)-57, REMOVAL, Fuel Pump.>
- 2) Disconnect the connector from the fuel pump bracket.



- 3) Remove the bolt which installs the fuel level sensor on the mounting bracket.



### B: INSTALLATION

Install in the reverse order of removal.

#### **Tightening torque:**

**4.4 N·m (0.45 kgf·m, 3.3 ft·lb)**