

# FUEL INJECTOR

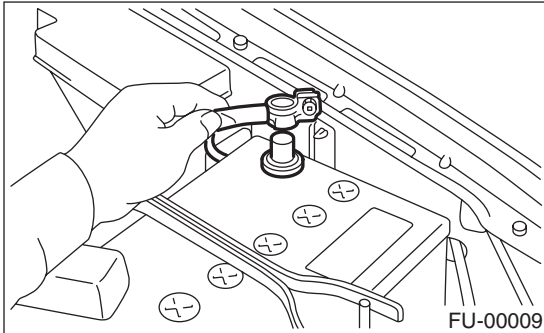
## FUEL INJECTION (FUEL SYSTEMS)

### 14. Fuel Injector

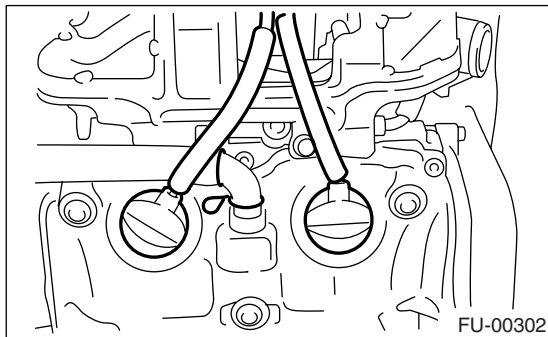
#### A: REMOVAL

##### 1. RH SIDE

- 1) Release the fuel pressure.  
<Ref. to FU(H4SO)-49, RELEASING OF FUEL PRESSURE, OPERATION, Fuel.>
- 2) Open the fuel filler flap lid, and remove the fuel filler cap.
- 3) Disconnect the ground cable from battery.

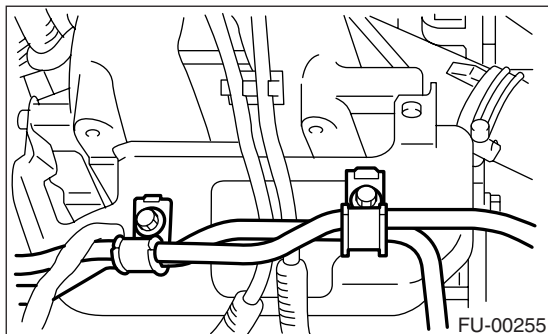


- 4) Remove the resonator chamber. <Ref. to IN(H4SO)-8, REMOVAL, Resonator Chamber.>
- 5) Remove the spark plug cords from the spark plugs (#1 and #3 cylinders).

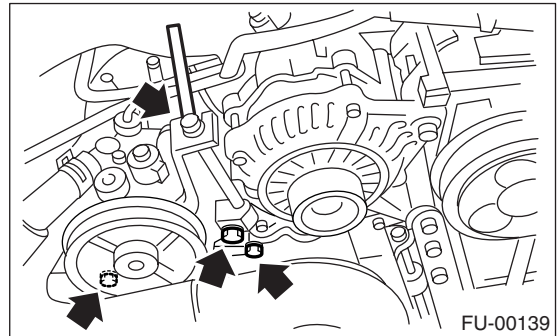


- 6) Remove the power steering pump and reservoir tank from the brackets.

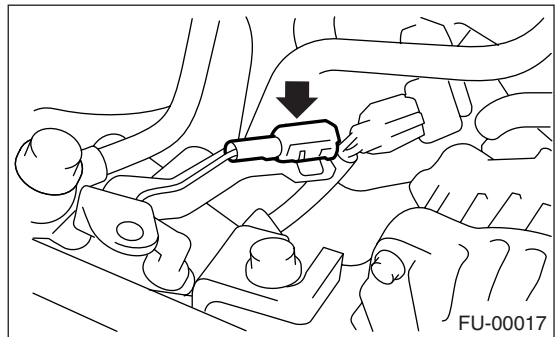
- (1) Remove the front side V-belt. <Ref. to ME(H4SO)-42, REMOVAL, V-belt.>
- (2) Remove the bolts which hold the power steering pipes onto the intake manifold protector.



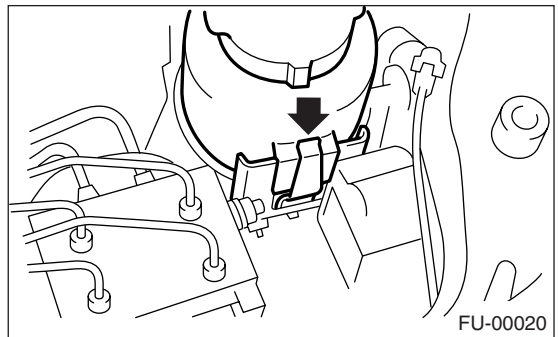
- (3) Remove the bolts which install the power steering pump to the bracket.



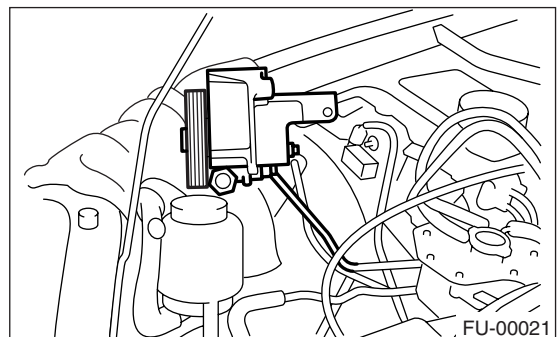
- (4) Disconnect the connector from the power steering pump switch.



- (5) Remove the power steering tank from the bracket by pulling it upwards.



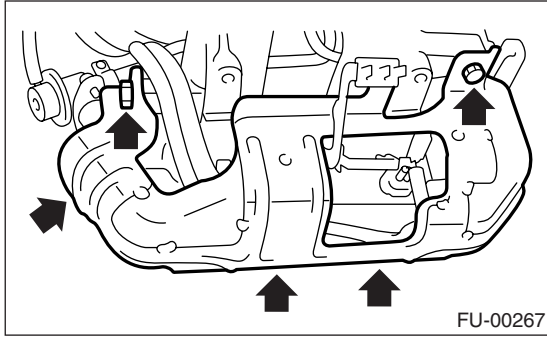
- (6) Place the power steering pump and reservoir tank on the right side wheel apron.



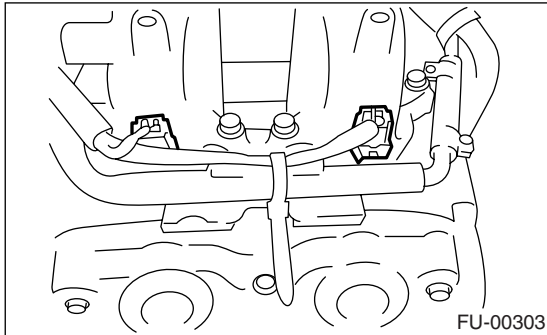
# FUEL INJECTOR

## FUEL INJECTION (FUEL SYSTEMS)

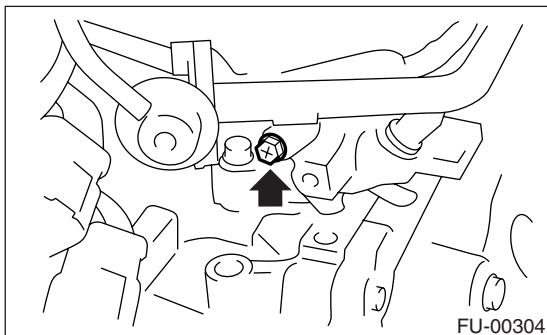
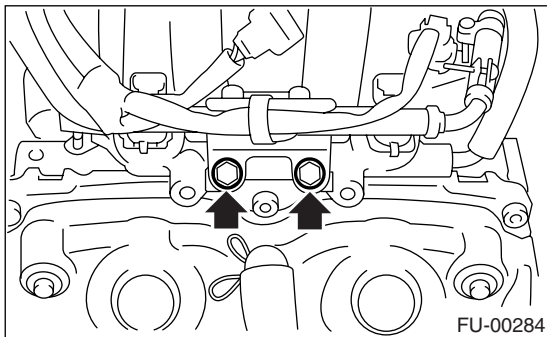
7) Remove the fuel pipe protector RH.



8) Disconnect the connector from fuel injector.

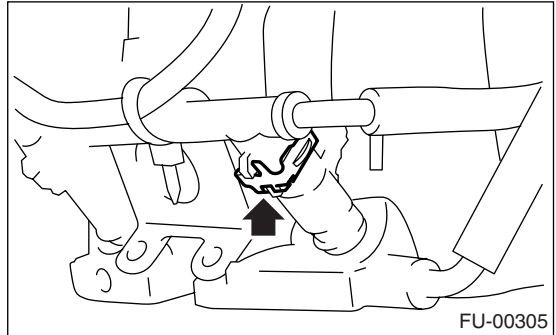


9) Remove the bolt which holds the injector pipe to the intake manifold.

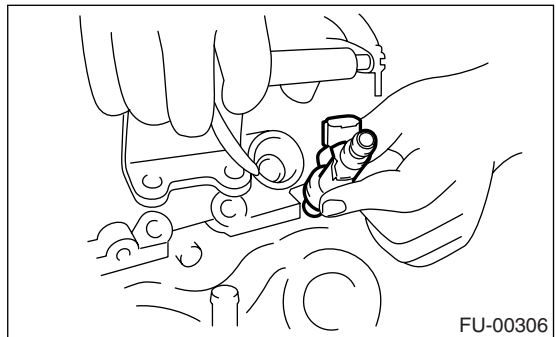


10) Remove the fuel injector from the intake manifold.

(1) Remove the fuel injector securing clip.



(2) Remove the fuel injector while lifting up the fuel injector pipe.

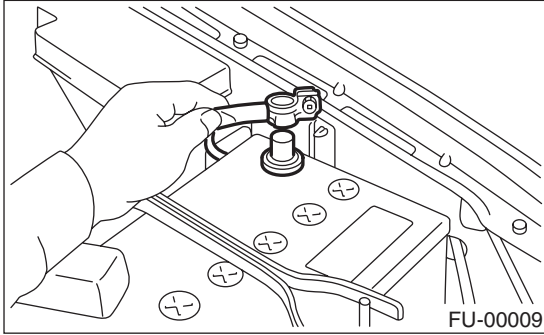


# FUEL INJECTOR

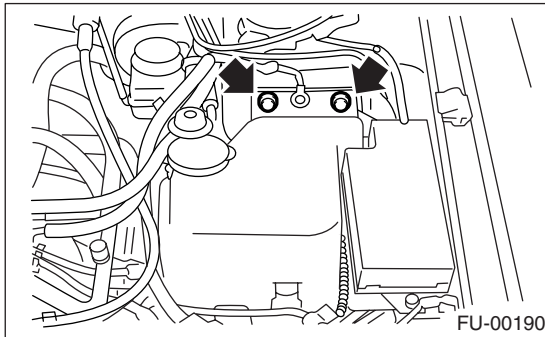
## FUEL INJECTION (FUEL SYSTEMS)

### 2. LH SIDE

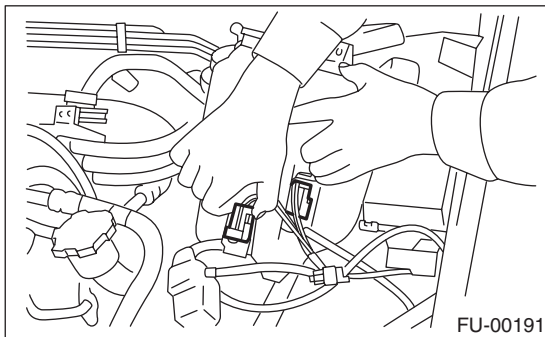
- 1) Release the fuel pressure. <Ref. to FU(H4SO)-49, RELEASING OF FUEL PRESSURE, OPERATION, Fuel.>
- 2) Open the fuel filler flap lid, and remove the fuel filler cap.
- 3) Disconnect the ground cable from battery.



- 4) Remove the two bolts which install the washer tank on the body.

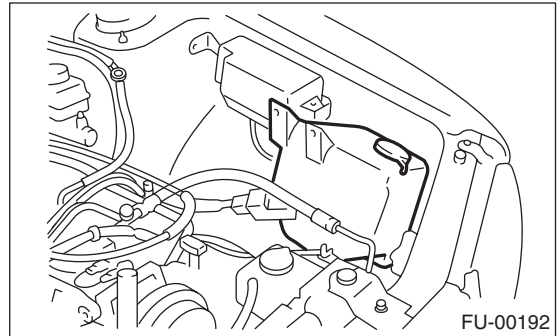


- 5) Disconnect the connector from the front window washer motor.
- 6) Disconnect the connector from the rear gate glass washer motor.

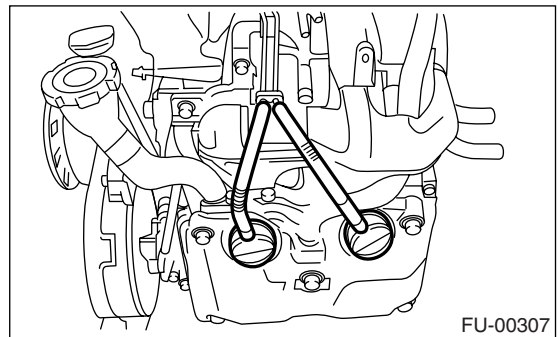


- 7) Disconnect the rear window glass washer hose from the washer motor, then plug the connection with a suitable cap.

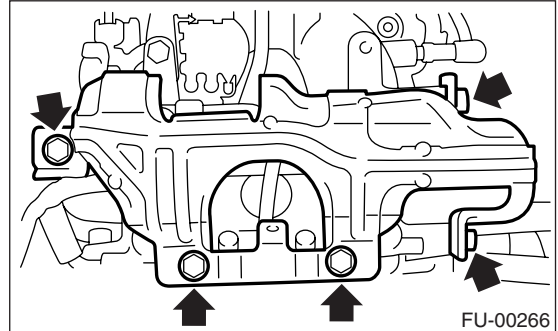
- 8) Move the washer tank, and secure it away from the working area.



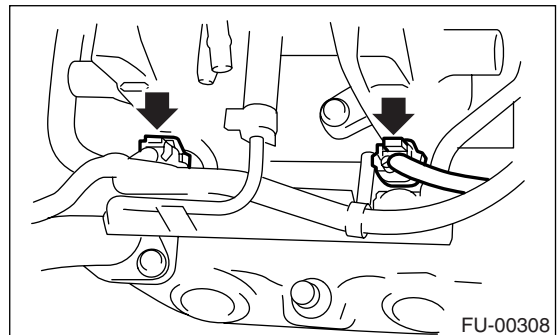
- 9) Remove the spark plug cords from the spark plugs (#2 and #4 cylinders).



- 10) Remove the fuel pipe protector LH.



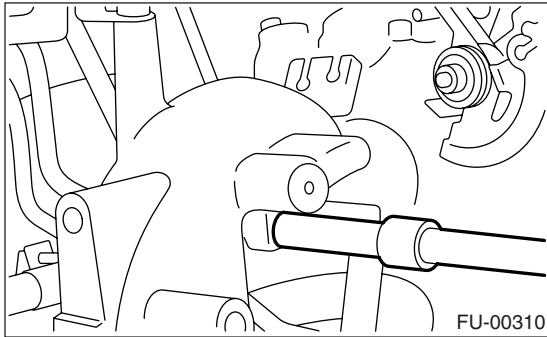
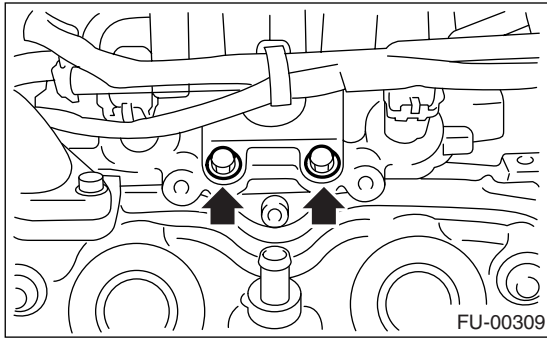
- 11) Disconnect the connector from the fuel injector.



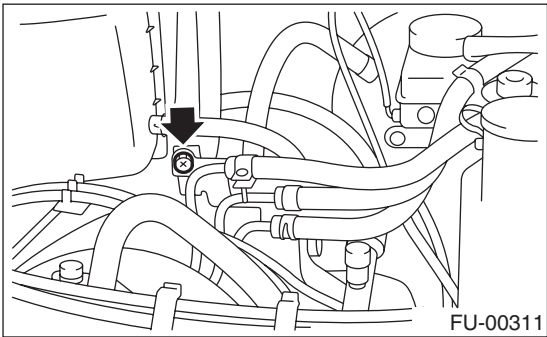
# FUEL INJECTOR

FUEL INJECTION (FUEL SYSTEMS)

12) Remove the bolt which holds the injector pipe to the intake manifold.

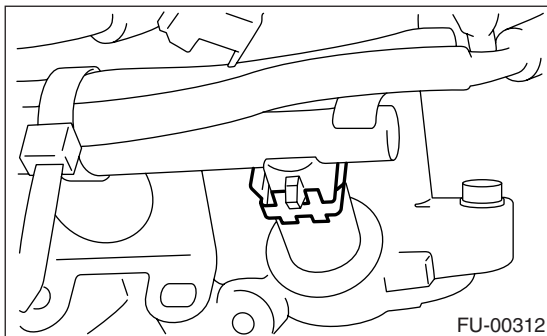


13) Remove the bolt which holds the fuel pipe on the left side intake manifold.

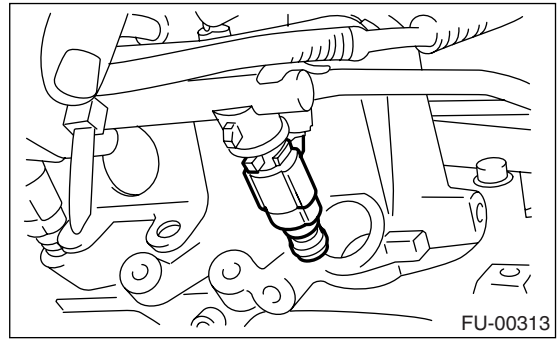


14) Remove the fuel injector from the intake manifold.

(1) Remove the fuel injector securing clip.



(2) Remove the fuel injector while lifting up the fuel injector pipe.



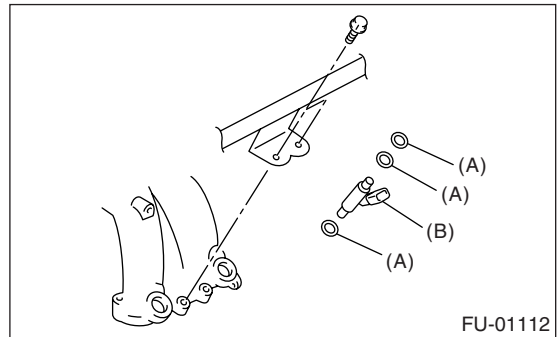
## B: INSTALLATION

### 1. RH SIDE

Install in the reverse order of removal.

NOTE:

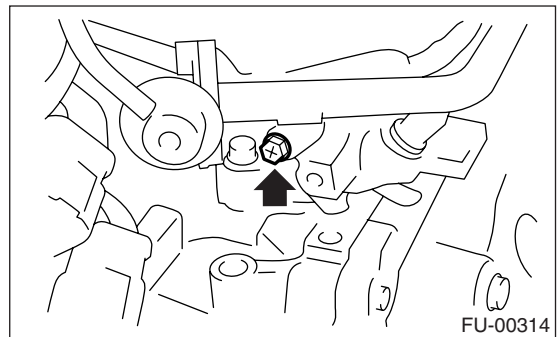
Replace O-rings with new ones.



- (A) O-ring
- (B) Fuel injector

**Tightening torque:**

**5.0 N·m (0.51 kgf-m, 3.7 ft-lb)**

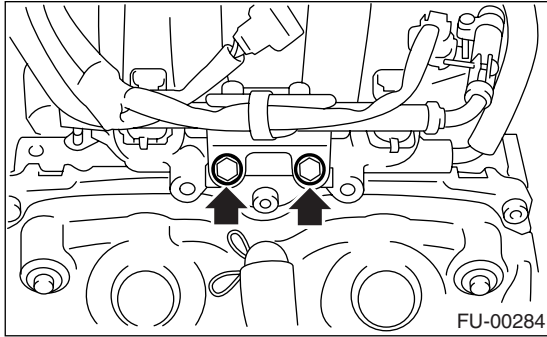


# FUEL INJECTOR

## FUEL INJECTION (FUEL SYSTEMS)

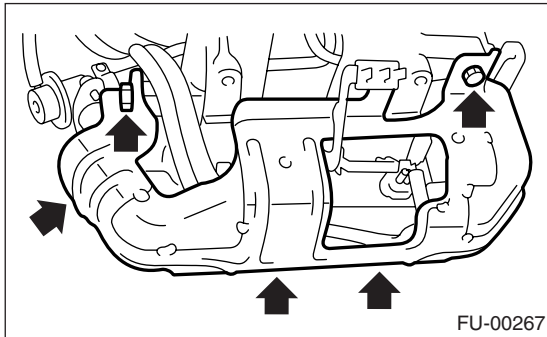
### Tightening torque:

**19 N·m (1.9 kgf·m, 13.7 ft·lb)**



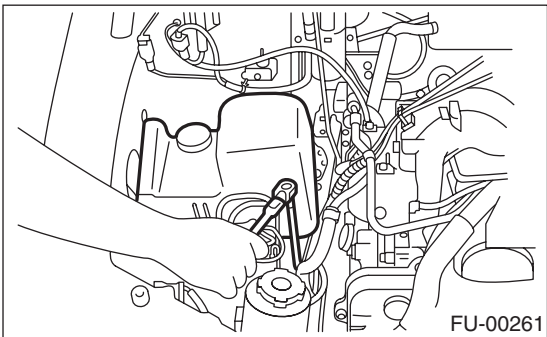
### Tightening torque:

**19 N·m (1.9 kgf·m, 13.7 ft·lb)**



### Tightening torque:

**33 N·m (3.4 kgf·m, 24.3 ft·lb)**

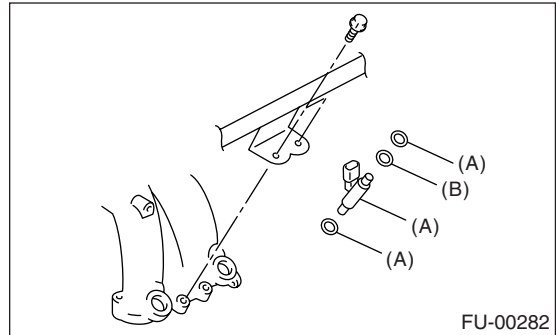


## 2. LH SIDE

Install in the reverse order of removal.

### NOTE:

Replace O-rings with new ones.

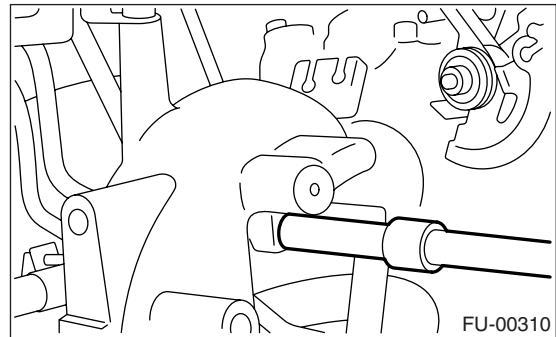


(A) O-ring

(B) Fuel injector

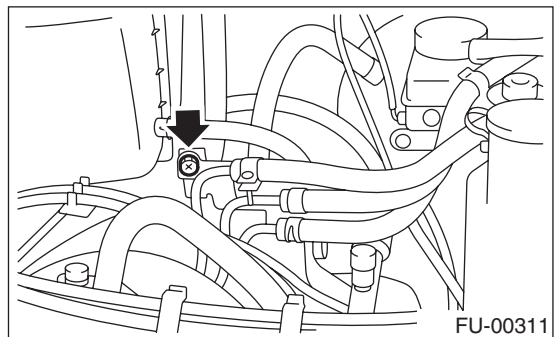
### Tightening torque:

**5.0 N·m (0.51 kgf·m, 3.7 ft·lb)**



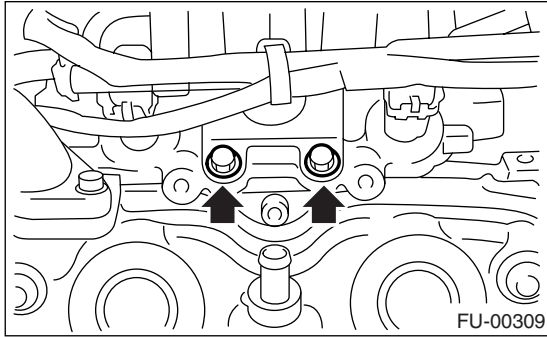
### Tightening torque:

**5.0 N·m (0.51 kgf·m, 3.7 ft·lb)**



**Tightening torque:**

**19 N·m (1.9 kgf-m, 13.7 ft-lb)**



**Tightening torque:**

**19 N·m (1.9 kgf-m, 13.7 ft-lb)**

