

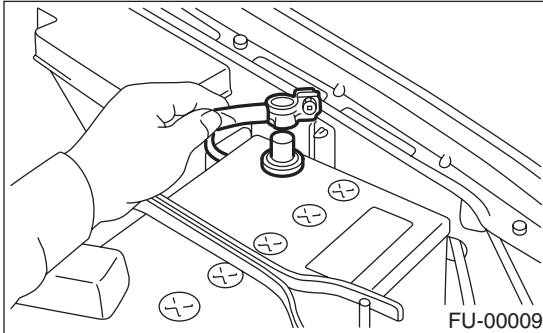
# DRAIN FILTER

EMISSION CONTROL (AUX. EMISSION CONTROL DEVICES)

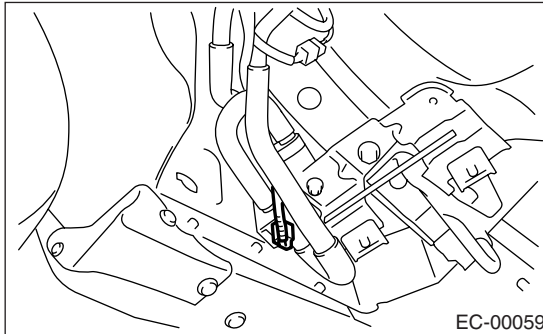
## 13. Drain Filter

### A: REMOVAL

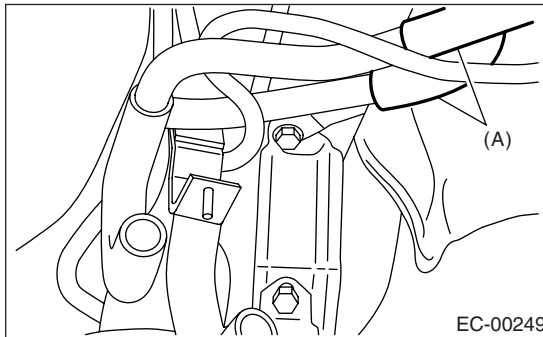
- 1) Set the vehicle on a lift.
- 2) Disconnect the ground cable from battery.



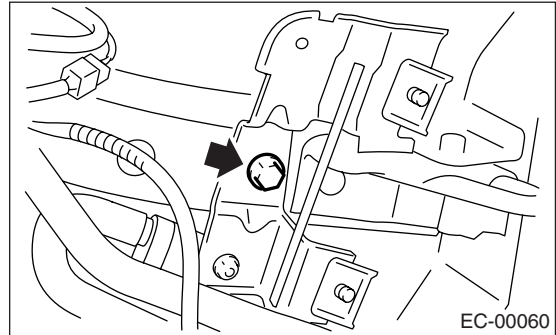
- 3) Lift-up the vehicle.
- 4) Remove the canister. <Ref. to EC(H4SO)-6, REMOVAL, Canister.>
- 5) Disconnect the connector from drain valve.



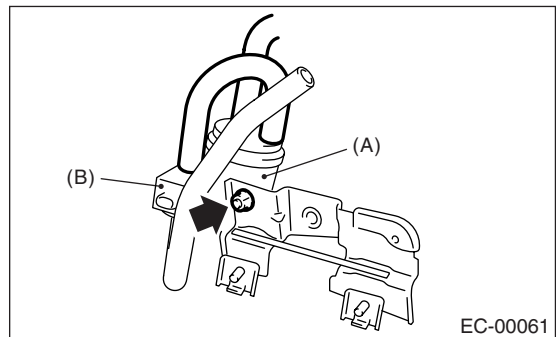
- 6) Disconnect the evaporation hoses (A) from joint pipes.



- 7) Remove the bolt which installs the drain filter and drain valve brackets on body, and remove them as a unit.



- 8) Disconnect the evaporation hoses from drain filter.
- 9) Remove the nuts, and then remove the drain filter.



- (A) Drain filter
- (B) Drain valve

# DRAIN FILTER

EMISSION CONTROL (AUX. EMISSION CONTROL DEVICES)

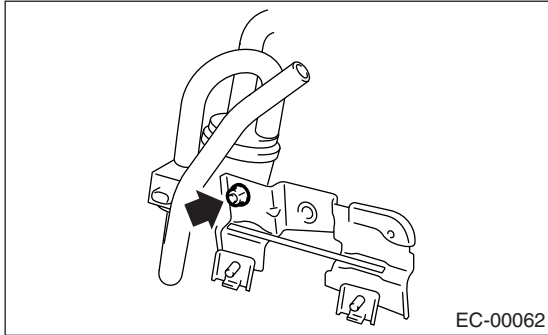
---

## B: INSTALLATION

Install in the reverse order of removal.

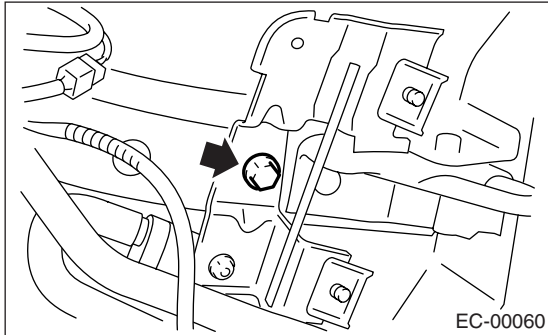
**Tightening torque:**

**18 N·m (1.8 kgf·m, 13.0 ft·lb)**



**Tightening torque:**

**33 N·m (3.4 kgf·m, 25 ft·lb)**



## C: INSPECTION

- 1) Make sure all hoses are installed correctly.
- 2) Make sure the hoses are not cracked or loose.