

## 9. Radiator Sub Fan and Fan Motor

### A: REMOVAL

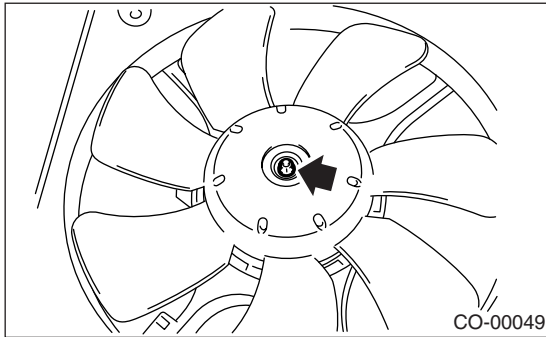
Refer to Radiator Main Fan and Fan Motor. <Ref. to CO(H4SO)-33, REMOVAL, Radiator Main Fan and Fan Motor.>

### B: INSTALLATION

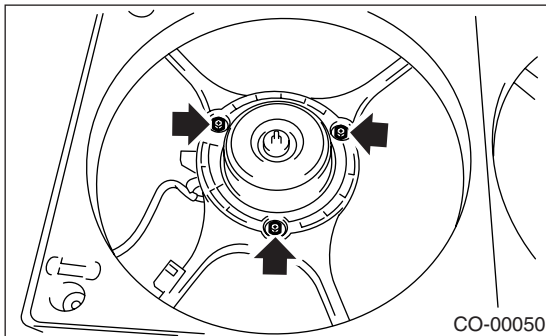
Refer to Radiator Main Fan and Fan Motor. <Ref. to CO(H4SO)-35, INSTALLATION, Radiator Main Fan and Fan Motor.>

### C: DISASSEMBLY

- 1) Remove the clip which holds motor connector onto shroud.
- 2) Remove the nut which holds fan itself onto fan motor and shroud assembly.



- 3) Remove the bolts which install fan motor onto shroud.



### D: ASSEMBLY

Assemble in the reverse order of disassembly.

#### NOTE:

For the tightening torque, refer to "COMPONENT".  
<Ref. to CO(H4SO)-3, COMPONENT, General Description.>