

### 24. Fuel Pump

#### A: REMOVAL

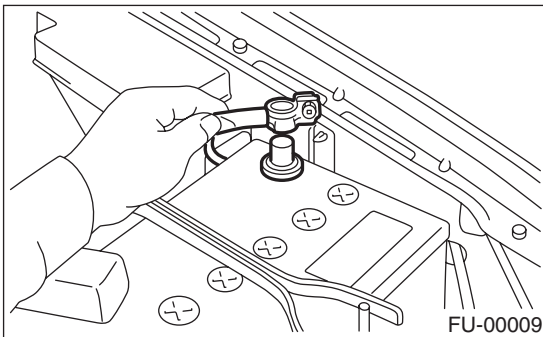
##### WARNING:

- Place “NO FIRE” signs near the working area.
- Be careful not to spill fuel on the floor.

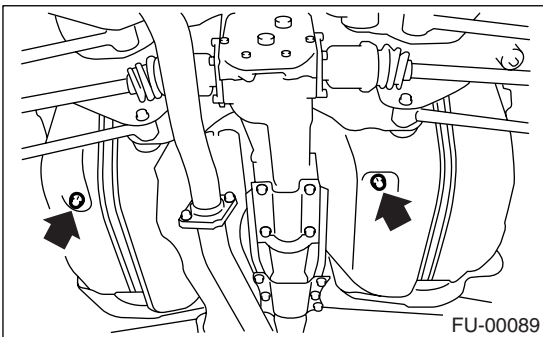
##### NOTE:

Fuel pump assembly consists of fuel pump and fuel level sensor.

- 1) Release the fuel pressure. <Ref. to FU(H4DOTC)-46, RELEASING OF FUEL PRESSURE, OPERATION, Fuel.>
- 2) Open the fuel filler flap lid and remove the fuel filler cap.
- 3) Disconnect the ground cable from battery.



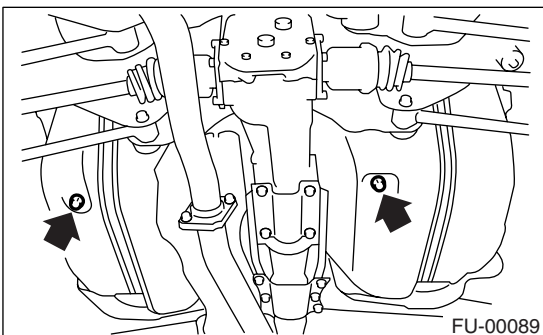
- 4) Lift-up the vehicle.
- 5) Drain the fuel from the fuel tank. Set a container under the vehicle and remove the drain plug from the fuel tank.



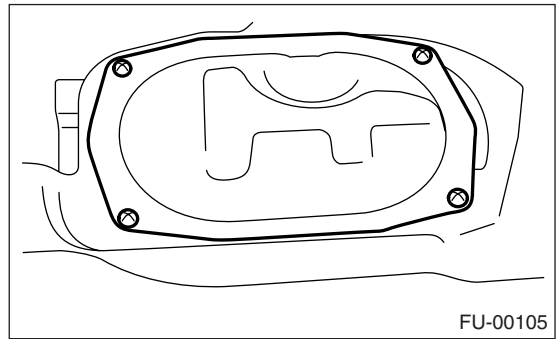
- 6) Tighten the fuel drain plug.

##### Tightening torque:

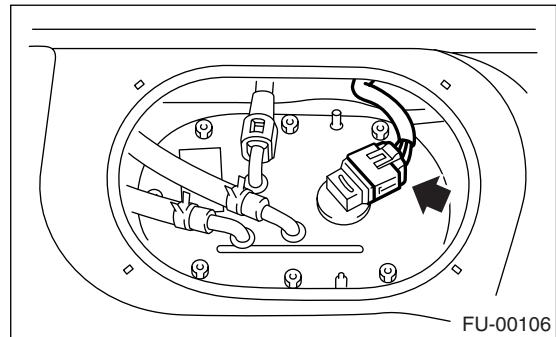
**26 N·m (2.65 kgf·m, 19.2 ft·lb)**



- 7) Raise the rear seat and turn the floor mat off.
- 8) Remove the access hole lid.

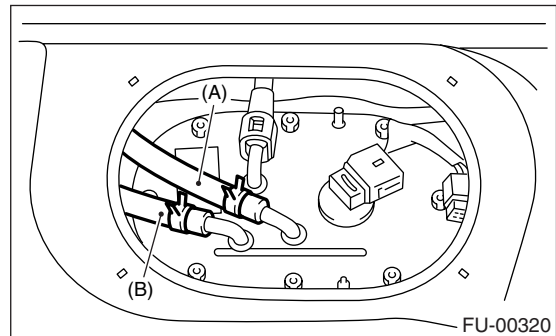


- 9) Disconnect the connector from the fuel pump.

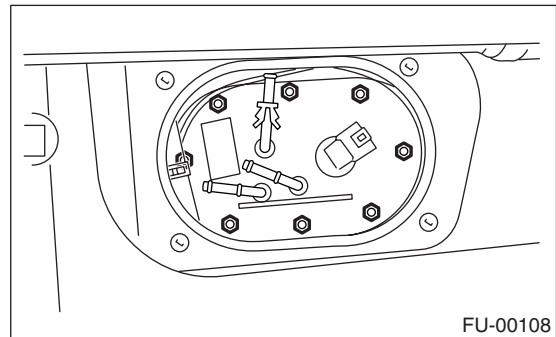


- 10) Disconnect the quick connector and then disconnect the fuel delivery hose. <Ref. to FU(H4DOTC)-63, REMOVAL, Fuel Delivery, Return and Evaporation Lines.>

- 11) Move the clip and then disconnect the fuel return hose (A) and jet pump hose (B).



- 12) Remove the nuts which install the fuel pump assembly onto the fuel tank.



# FUEL PUMP

## FUEL INJECTION (FUEL SYSTEMS)

---

13) Take off the fuel pump assembly from the fuel tank.

### B: INSTALLATION

Install in the reverse order of removal. Do the following:

NOTE:

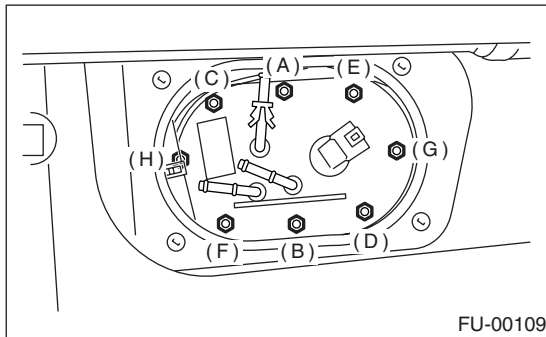
Replace the gasket with a new one.

(1) Ensure the sealing portion is free from fuel or foreign particles before installation.

(2) Tighten the nuts in alphabetical sequence shown in figure to specified torque.

**Tightening torque:**

**4.4 N·m (0.45 kgf-m, 3.3 ft-lb)**



### C: INSPECTION

Connect the lead harness to the connector terminal of fuel pump and apply the battery power supply to check whether the pump operate.

**WARNING:**

- Wipe off the fuel completely.
- Keep battery as far apart from fuel pump as possible.
- Be sure to turn the battery supply ON and OFF on the battery side.
- Do not run fuel pump for a long time under non-load condition.

