

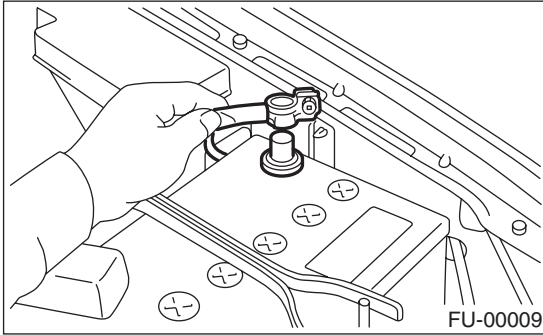
EXHAUST TEMPERATURE SENSOR

FUEL INJECTION (FUEL SYSTEMS)

16. Exhaust Temperature Sensor

A: REMOVAL

1) Disconnect the ground cable from battery.



2) Remove the joint pipe. <Ref. to EX(H4DOTC)-12, REMOVAL, Joint Pipe.>

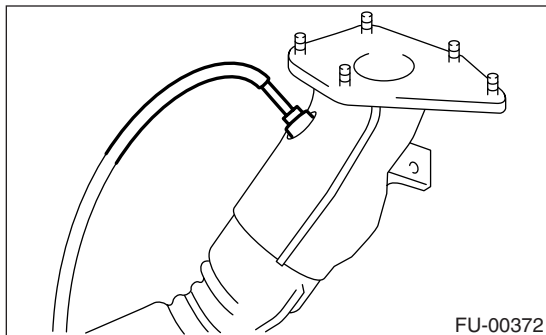
3) Apply SUBARU CRC or its equivalent to the threaded portion of exhaust temperature sensor, and leave it for 1 minute or more.

SUBARU CRC (Part No. 004301003)

4) Remove the exhaust temperature sensor.

CAUTION:

When removing the exhaust temperature sensor, wait until the exhaust pipe cools, otherwise it will damage exhaust pipe.



B: INSTALLATION

1) Before installing the exhaust temperature sensor, apply anti-seize compound only to the threaded portion of exhaust temperature sensor to make the next removal easier.

CAUTION:

Never apply anti-seize compound to the protector of exhaust temperature sensor.

Anti-seize compound:

JET LUBE SS-30

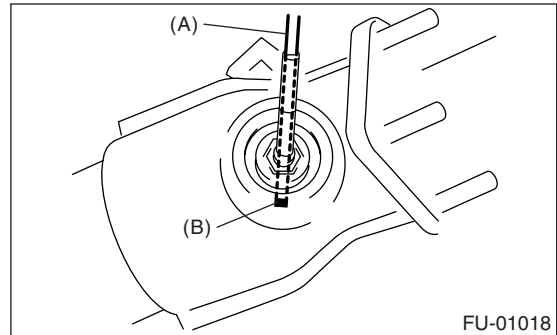
2) Install the exhaust temperature sensor.

NOTE:

Align the harness (A) of exhaust temperature sensor to the marking (B) of joint pipe, and tighten the screws.

Tightening torque:

21 N·m (2.1 kgf-m, 15.2 ft-lb)



3) Install the joint pipe. <Ref. to EX(H4DOTC)-12, INSTALLATION, Joint Pipe.>

4) Connect the battery ground cable to battery.

