

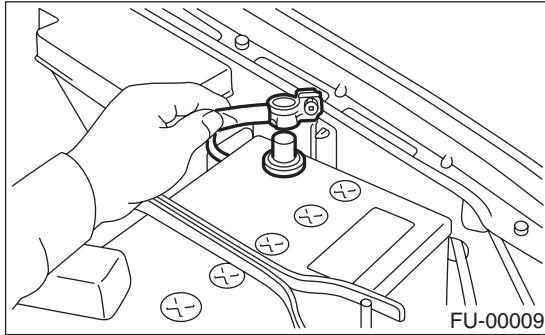
PRESSURE CONTROL SOLENOID VALVE

EMISSION CONTROL (AUX. EMISSION CONTROL DEVICES)

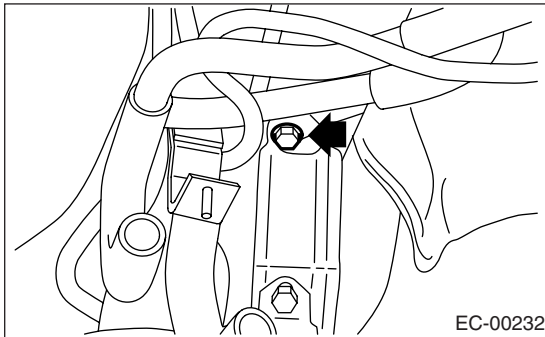
12. Pressure Control Solenoid Valve

A: REMOVAL

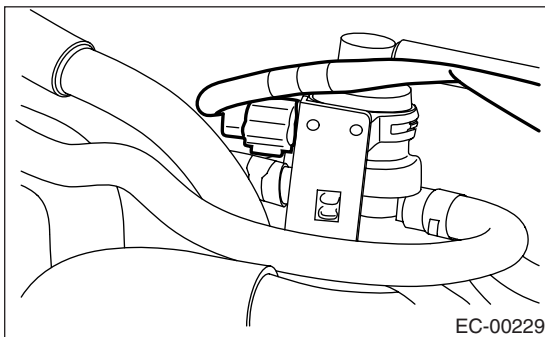
- 1) Set the vehicle on a lift.
- 2) Disconnect the ground cable from battery.



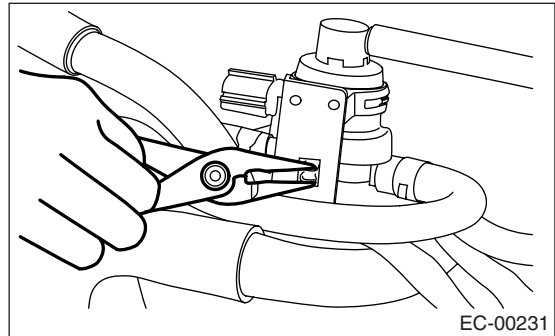
- 3) Lift-up the vehicle.
- 4) Remove the canister. <Ref. to EC(H4DOTC)-6, REMOVAL, Canister.>
- 5) Remove the bolt which installs pressure control solenoid valve holding bracket on body.



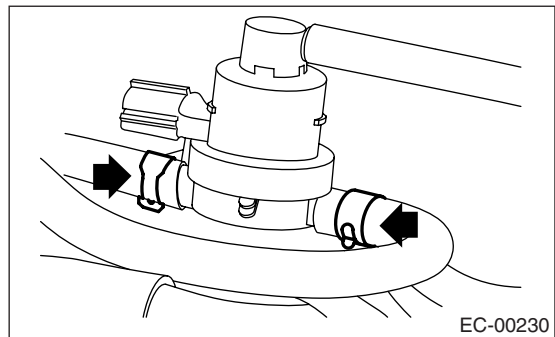
- 6) Disconnect the connector from pressure control solenoid valve.



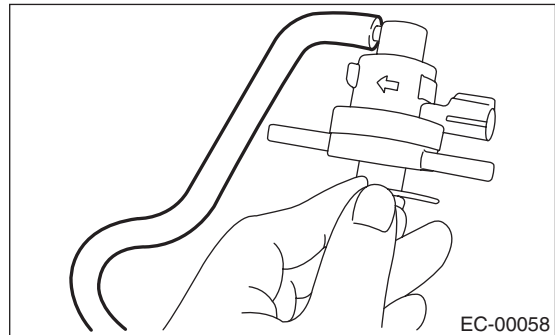
- 7) Remove the pressure control solenoid valve from bracket.



- 8) Disconnect the two evaporation hoses from pressure control solenoid valve.



- 9) Disconnect the vacuum hose from pressure control solenoid valve.



PRESSURE CONTROL SOLENOID VALVE

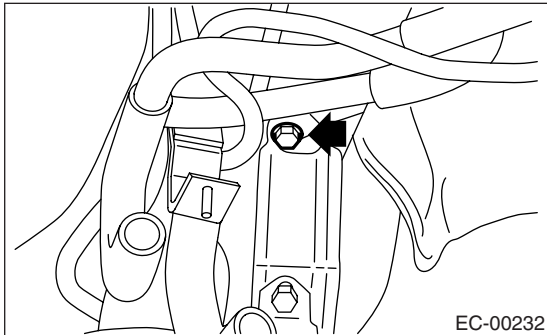
EMISSION CONTROL (AUX. EMISSION CONTROL DEVICES)

B: INSTALLATION

Install in the reverse order of removal.

Tightening torque:

17.6 N·m (1.8 kgf-m, 13.0 ft-lb)



C: INSPECTION

Make sure the hoses are not cracked or loose.