

WIRING

1. Basic Diagnostic Procedure

A: BASIC PROCEDURES

1. GENERAL DESCRIPTION

The most important purpose of diagnostics is to determine which part is malfunctioning quickly, to save time and labor.

2. IDENTIFICATION OF TROUBLE SYMPTOM

Determine what the problem is based on the symptom.

3. PROBABLE CAUSE OF TROUBLE

Look at the wiring diagram and check system's circuit. Then check the switch, relay, fuse, ground, etc.

4. LOCATION AND REPAIR OF TROUBLE

- 1) Using the diagnostics, narrow down the causes.
- 2) If necessary, use a voltmeter, ohmmeter, etc.
- 3) Before replacing certain component parts (switch, relay, etc.), check the power supply, ground, for open wiring harness, poor connectors, etc. If no problems are encountered, check the component parts.

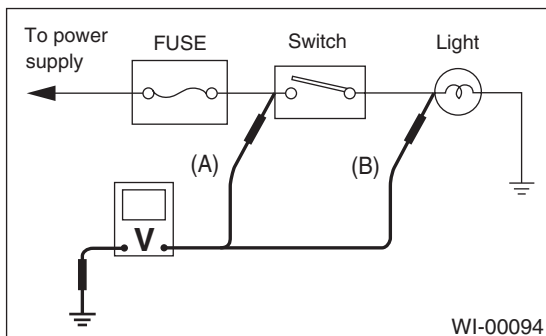
5. CHECK SYSTEM OPERATION

After repairing, ensure that the system operates properly.

B: BASIC INSPECTION

1. VOLTAGE MEASUREMENT

- 1) Using a voltmeter, connect the negative lead to a good ground point or negative battery terminal and the positive lead to the connector or component terminal.
- 2) Contact the positive lead of the voltmeter on connector (A). The voltmeter will indicate a voltage.
- 3) Shift the positive lead to connector (B). The voltmeter will indicate no voltage.



- 4) With the test set-up held as it is, turn the switch ON. The voltmeter will indicate a voltage and, at the same time, the light will come on.

- 5) The circuit is in good order. If a problem such as a light failing to illuminate occurs, use the procedures outlined above to track down malfunction.

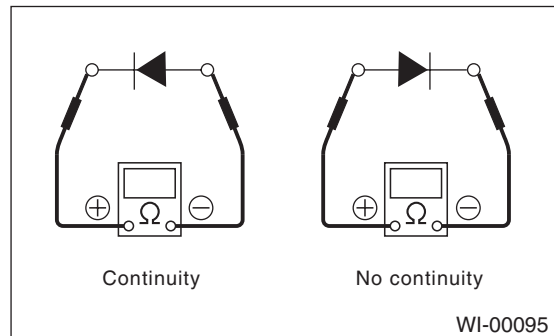
2. CIRCUIT CONTINUITY CHECKS

- 1) Disconnect the battery terminal or connector so there is no voltage between check points. Contact the two leads of an ohmmeter to each of the check points.

If the circuit has diodes, reverse the two leads and check again.

- 2) Use an ohmmeter to check for the diode continuity. When contacting the negative lead to diode positive side and positive lead to negative side, there should be continuity.

When contacting the two leads in reverse, there should be no continuity.



- 3) Symbol "○ — ○" indicates that continuity exists between two points or terminals. For example, when a switch position is at "3", continuity exists among terminals 1, 3 and 6, as shown in table below.

Terminal Switch Position	1	2	3	4	5	6
OFF						
1	○ — ○				○ — ○	
2	○ — ○			○ — ○		○ — ○
3	○ — ○		○ — ○			○ — ○
4	○ — ○	○ — ○				○ — ○

WI-00096

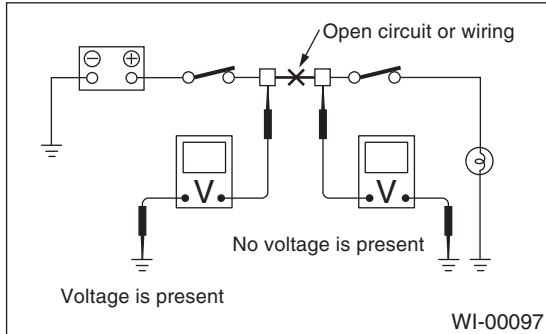
Basic Diagnostic Procedure

WIRING SYSTEM

3. HOW TO DETERMINE AN OPEN CIRCUIT

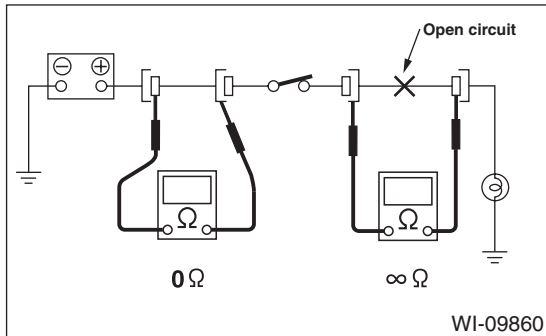
1) WITH VOLTMETER:

An open circuit is determined by measuring the voltage between respective connectors and ground using a voltmeter, starting with the connector closest to power supply. The power supply must be turned ON so that current flows in the circuit. If voltage is not present between a particular connector and ground, the circuit between that connector and previous connector is open.



2) WITH OHMMETER:

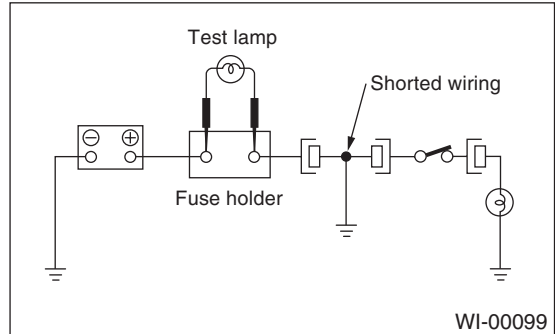
Disconnect all connectors affected, and check the continuity in wiring between adjacent connectors. When the ohmmeter indicates "infinite", the wiring is open.



4. HOW TO DETERMINE A SHORT CIRCUIT

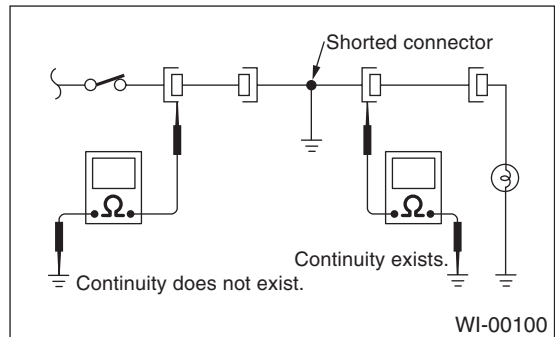
1) WITH TEST LIGHT:

Connect a test light (rated at approx. 3 watts) in place of the blown fuse and allow current to flow through the circuit. Disconnect one connector at a time from the circuit, starting with the one located farthest from power supply. If the test light goes out when a connector is disconnected, the wiring between that connector and next connector (farther from the power supply) is shorted.



2) WITH OHMMETER:

Disconnect all affected connectors, and check the continuity between each connector and ground. When the ohmmeter indicates continuity between a particular connector and a ground, that the connector is shorted.



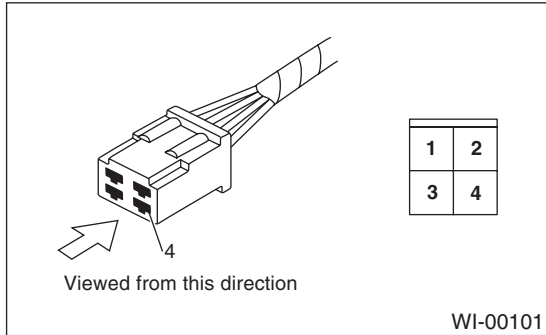
C: HOW TO READ WIRING DIAGRAMS

1. WIRING DIAGRAM

The wiring diagram of each system is illustrated so that you can understand the path through which electric current flows from battery.

Sketches and codes are used in the diagrams. They should read as follows:

- Each connector and its terminal position are indicated by a sketch of the connector in a disconnected state which is viewed from front.



- The number of poles or pins, presence of a lock are indicated in the sketch of each connector. In the sketch, the highest pole number refers to the number of poles which connector has. For example, the sketch of connector shown in the figure indicates the connector has 9 poles.

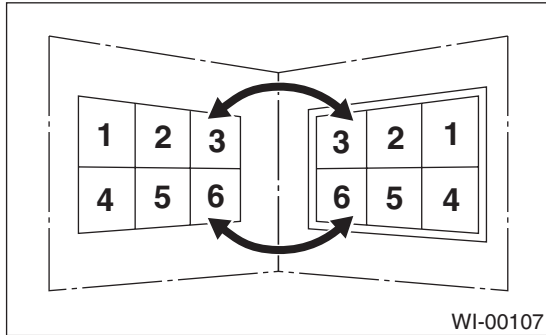
Connector used in vehicle	Connector shown in wiring diagram		
	Sketch	Symbol	Number of poles
	<p>Double frames</p> <p>Indicates a lock is included.</p> <p>Indicates the number of poles.</p>		<p>Numbered in order from upper right to lower left.</p>
	<p>Indicates a lock is included.</p> <p>Single frame</p>		<p>Numbered in order from upper left to lower right</p>

WI-00102

Basic Diagnostic Procedure

WIRING SYSTEM

- When one set of connectors is viewed from the front side, the pole numbers of one connector are symmetrical to those of other. When these two connectors are connected as a unit, the poles which have the same number are joined.



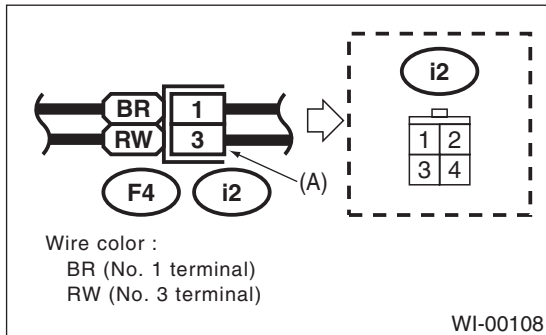
WIRING DIAGRAM:

The connectors are numbered along with the number of poles, external colors, and mating connections in accompanying list.

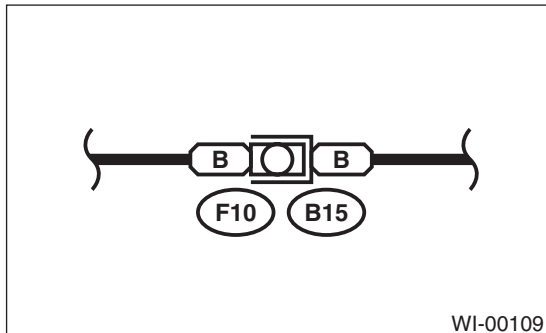
- The sketch of each connector in the wiring diagram usually shows (A) side of the connector. The relationship between wire color, terminal number and connector is described in figure.

NOTE:

A wire which runs in one direction from a connector terminal sometimes may have a different color from that which runs in the other direction from that terminal.

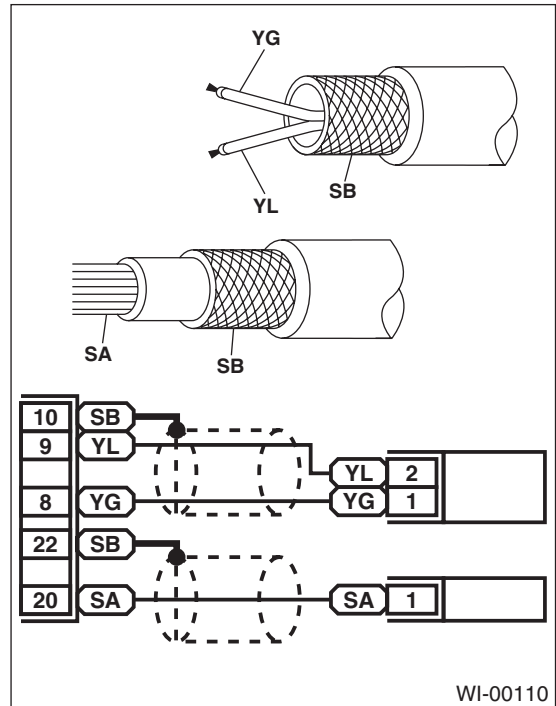


- In the wiring diagram, connectors which have no terminal number refer to one-pole types. Sketches of these connectors are omitted intentionally.

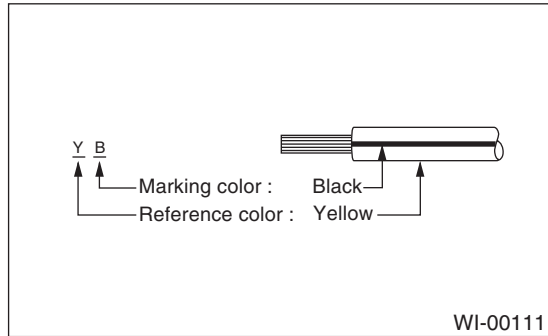


- The following color codes are used to indicate the colors of the wires used.

Color code	Color
L	Blue
B	Black
Y	Yellow
G	Green
R	Red
W	White
Br	Brown
Lg	Light green
Gr	Gray
P	Pink
Or	Orange
Sb	Sky blue
V	Violet
SA	Sealed (Inner)
SB	Sealed (Outer)



- The wire color code, which consists of two letters (or three letters including Br or Lg), indicates the standard color (base color of the wire covering) by its first letter and stripe marking by its second letter.



- The table lists the nominal sectional areas and allowable currents of wires.

CAUTION:

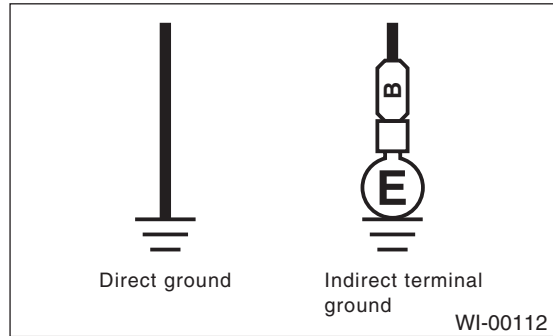
When replacing or repairing a wire, be sure to use the same size and type of wire which was originally used.

NOTE:

- The allowable current in the table indicates tolerable amperage of each wire at an ambient temperature of 40°C (104°F).
- The allowable current changes with ambient temperature. Also, it changes if a bundle of more than two wires is used.

Nominal sectional area mm ²	No. of strands/ strand diameter	Outside diameter of finished wiring mm	Allowable current Amps/ 40°C (104°F)
0.3	7/0.26	1.8	7
0.5	7/0.32	2.2 (or 2.0)	12
0.75	30/0.18	2.6 (or 2.4)	16
0.85	11/0.32	2.4 (or 2.2)	16
1.25	16/0.32	2.7 (or 2.5)	21
2	26/0.32	3.1 (or 2.9)	28
3	41/0.32	3.8 (or 3.6)	38
5	65/0.32	4.6 (or 4.4)	51
8	50/0.45	5.5	67

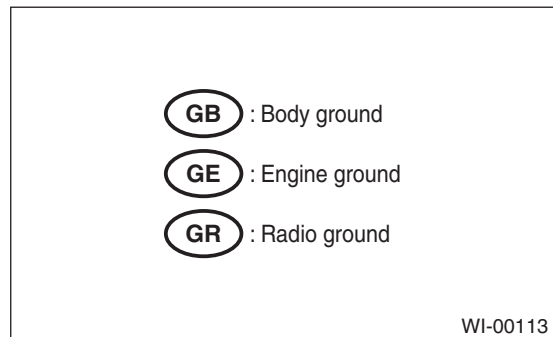
- Each unit is either directly grounded to the body or indirectly grounds through a harness ground terminal. Different symbols are used in the wiring diagram to identify the two grounding systems.



- The ground points shown in the wiring diagram refer to the following:

NOTE:

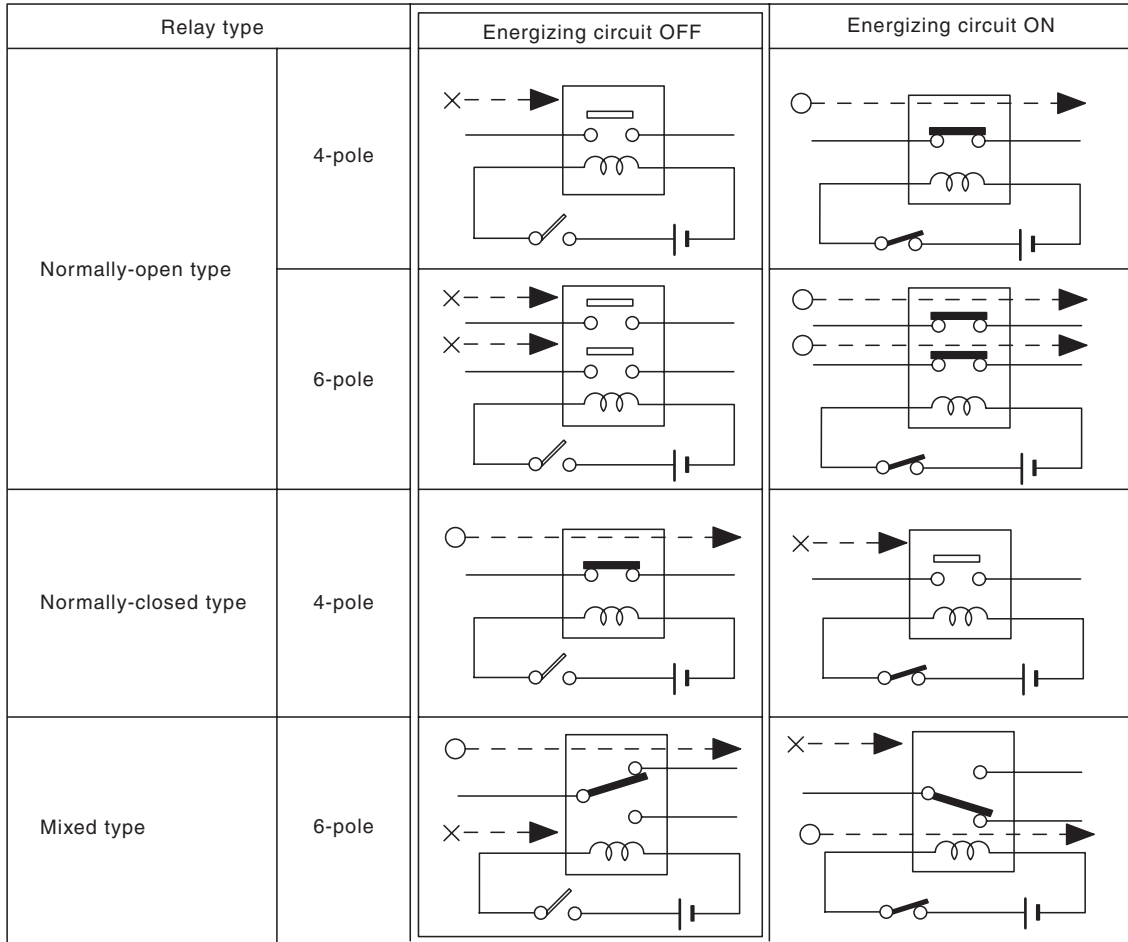
All wiring harnesses are provided with a ground point which should be securely connected.



Basic Diagnostic Procedure

WIRING SYSTEM

- Relays are classified as normally-open or normally-closed.
- The normally-closed relay has one or more contacts. The wiring diagram shows the relay mode when energizing circuit is OFF.



Key to symbols:

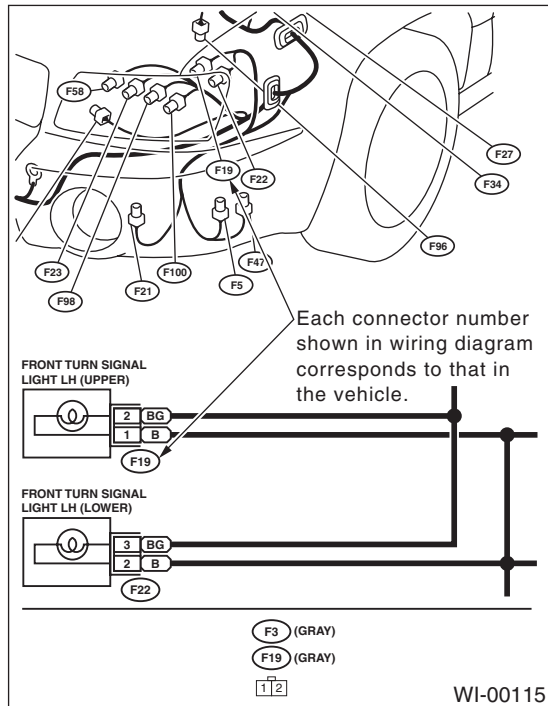
○ —▶ : Current flows.

× —▶ : Current does not flow.

WI-00114

- Each connector number shown in the wiring diagram corresponds to that in wiring harness. The location of each connector in actual vehicle is determined by reading the first character of the connector (for example, a "F" for F8, "i" for i16, etc.) and type of wiring harness. The first character of each connector number refers to the area or system of the vehicle.

Symbol	Wiring harness and cord
F	Front wiring harness
B	Bulkhead wiring harness
E	Engine wiring harness
T	Transmission cord, Rear oxygen sensor cord
D	Door cord LH & RH, Rear door cord LH & RH, Rear gate cord
i	Instrument panel wiring harness
R	Rear wiring harness, Fuel tank cord, Roof cord
AB	Airbag wiring harness

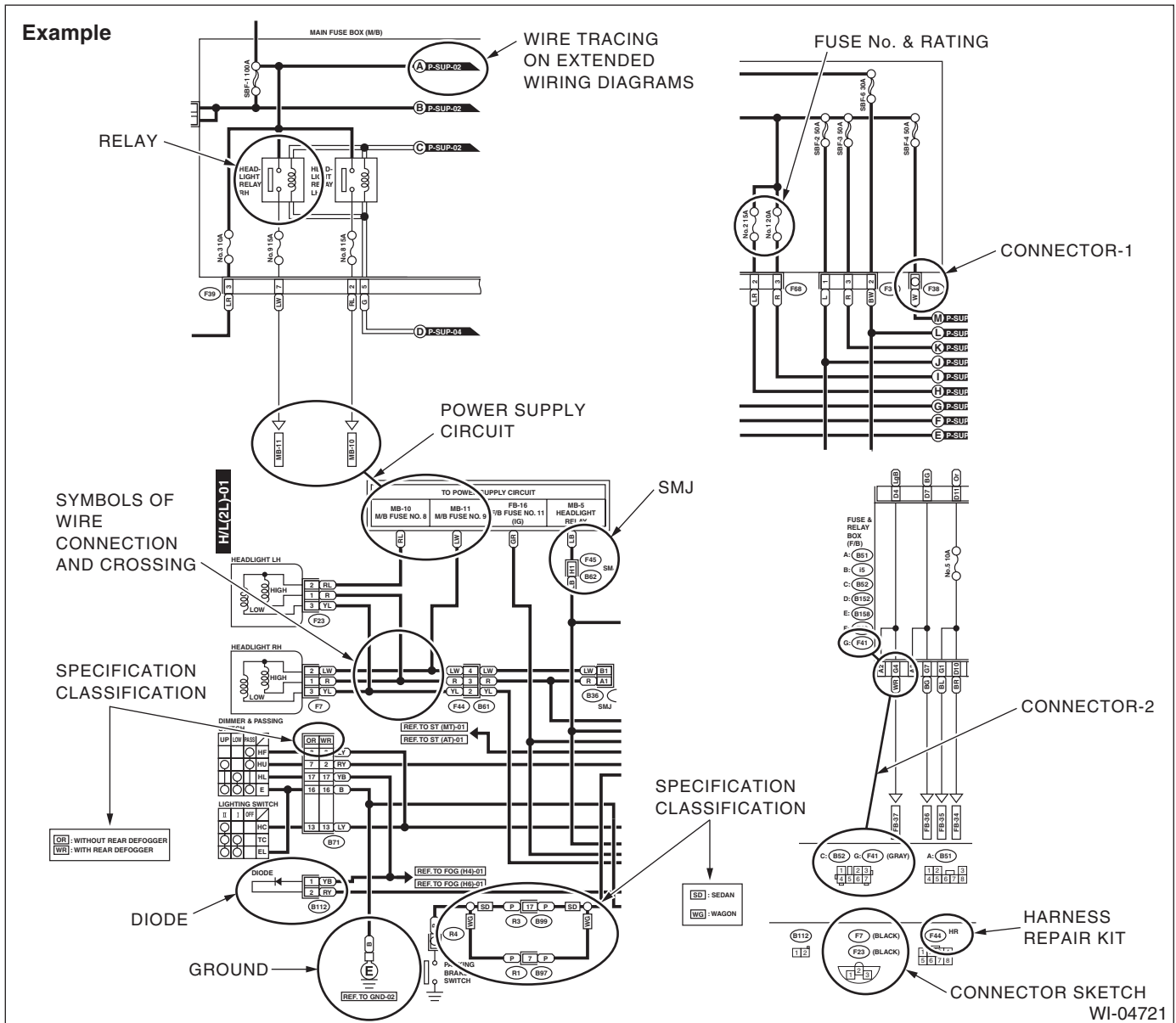


Basic Diagnostic Procedure

WIRING SYSTEM

D: SYMBOLS IN WIRING DIAGRAMS

A number of symbols are used in each wiring diagram to easily identify parts or circuits.



1. RELAY

A symbol used to indicate a relay.

2. CONNECTOR-1

The sketch of the up connector indicates one-pole types.

3. WIRING CONNECTION

Some wiring diagrams are indicated in foldouts for convenience. Wiring destinations are indicated where necessary by corresponding symbols. (When two pages are needed for clear indication)

4. FUSE No. & RATING

The "FUSE No. & RATING" corresponds with that used in fuse box (main fuse box, fuse and joint box).

5. CONNECTOR-2

- Each connector is indicated by a symbol.
- Each terminal number is indicated in the corresponding wiring diagram in an abbreviated form.
- For example, terminal number "G4" refers to No. 4 terminal of connector (G: F41) shown in the connector sketch.

6. CONNECTOR SKETCH

- Each connector sketch clearly identifies the shape and color of a connector as well as terminal locations. Non-colored connectors are indicated in natural color.
- When more than two types of connector number are indicated in a connector sketch, it means that the same type connectors are used.

7. GROUND

Each grounding point can be located easily by referring to the corresponding wiring harness.

8. DIODE

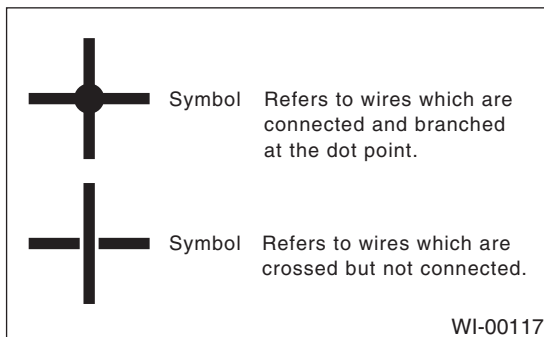
A symbol is used to indicate a diode.

9. WIRE TRACING ON EXTENDED WIRING DIAGRAMS

For a wiring diagram extending over at least two pages, a symbol (consisting of the same characters with arrows), facilitates wire tracing from one page to the next.

A ↔ A, B ↔ B

10. SYMBOLS OF WIRE CONNECTION AND CROSSING



11. POWER SUPPLY CIRCUIT

A symbol is used to indicate the power supply in each wiring diagram.

“MB-5”, “MB-6”, etc., which are used as power-supply symbols throughout the text, correspond with those shown in POWER SUPPLY CIRCUIT in the wiring diagram.

Accordingly, using the POWER SUPPLY CIRCUIT and wiring diagrams permits service personnel to understand the entire electrical arrangement of a system.

12. CLASSIFICATION BY SPECIFICATION

When the wiring diagrams differ according to vehicle specifications, the specification difference is described by using abbreviations.

13. HARNESS REPAIR KIT

The connector adapting to Harness repair kit is shown as “HR” in the right-upper of connector number.


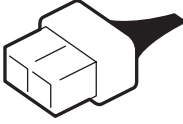
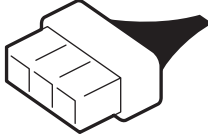

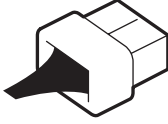
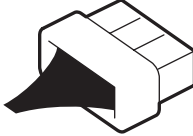
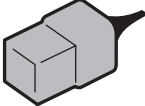
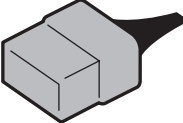
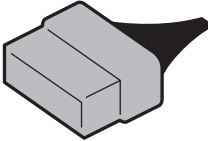
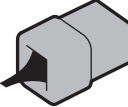

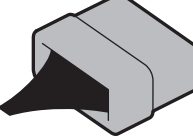
Refer to “Harness Repair Kit” for harness repair kit. <Ref. to WI-204, SPECIFICATION, Harness Repair Kit.>






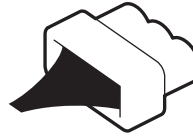
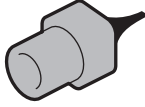
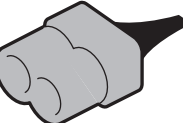
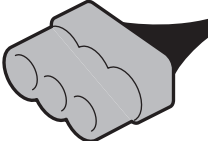
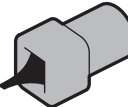
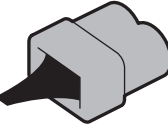
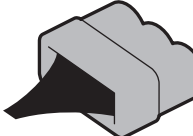
Basic Diagnostic Procedure

WIRING SYSTEM

E: CONNECTOR SYMBOL IN WIRING HARNESS

A number of connector symbols are used in each wiring diagram to easily identify the wiring harness connectors.

Standard type: Female		
Pole: From 1 to 8	Pole: From 9 to 20	Pole: More than 21
		
		
Standard type: Male		
		
		

Water proof type: Female		
Pole: From 1 to 8	Pole: From 9 to 20	Pole: More than 21
		
		
Water proof type: Male		
		
		

Basic Diagnostic Procedure

WIRING SYSTEM

F: ABBREVIATION IN WIRING DIAGRAMS

Abbreviation	Full name
ABS	Antilock Brake System
ACC	Accessory
A/C	Air Conditioning
AD	Auto Down
AT	Automatic Transmission
AU	Auto Up
+B	Battery
DN	Down
E	Ground
F/B	Fuse & Joint Box
FL1.5	Fusible link 1.5 mm ²
IG	Ignition
Illumi.	Illumination
LH	Left Hand
Lo	Low
M	Motor
M/B	Main Fuse Box
MG	Magnet
Mi	Middle
OP	Optional Parts
PASS	Passing
RH	Right Hand
SBF	Slow Blow Fuse
ST	Starter
SW	Switch
UP	Up
WASH	Washer

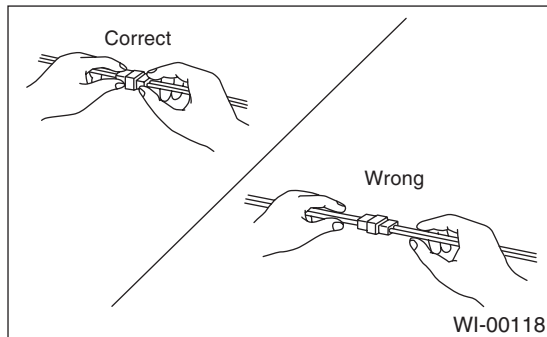
2. Working Precautions

A: PRECAUTIONS WHEN WORKING WITH THE PARTS MOUNTED ON THE VEHICLE

- 1) When working under a vehicle which is jacked-up, always be sure to use rigid racks.
- 2) The parking brake must always be applied during working. Also, in automatic transmission models, keep the select lever set to P (Parking) range.
- 3) Be sure the workshop is properly ventilated when running the engine. Further, be careful not to touch the belt or fan while the engine is operating.
- 4) Be careful not to touch hot metal parts, especially the radiator and exhaust system immediately after the engine has been turned off.

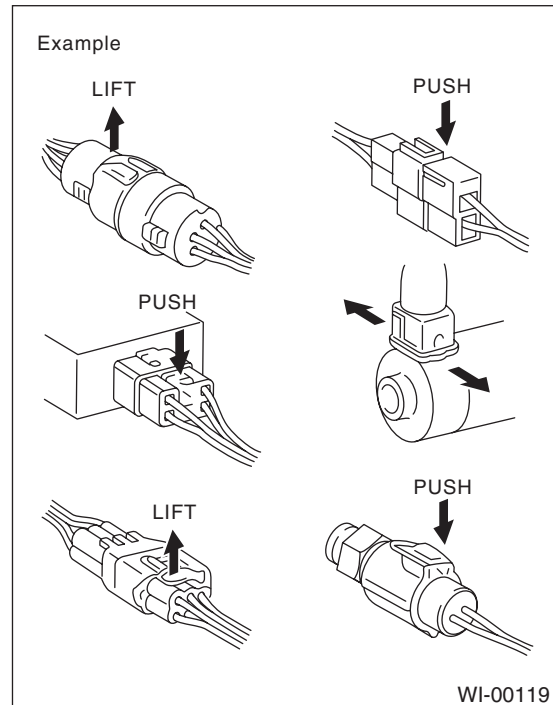
B: PRECAUTIONS IN TROUBLE DIAGNOSIS AND REPAIR OF ELECTRIC PARTS

- 1) The battery cable must be disconnected from battery's (-) terminal, and the ignition switch must be set to OFF position, unless otherwise required by the diagnostics.
- 2) Securely fasten the wiring harness with clamps and slips so that the harness does not interfere with body end parts or edges and bolts or screws.
- 3) When installing the parts, be careful not to catch them on the wiring harness.
- 4) When disconnecting a connector, do not pull the wires, but pull while holding the connector body.



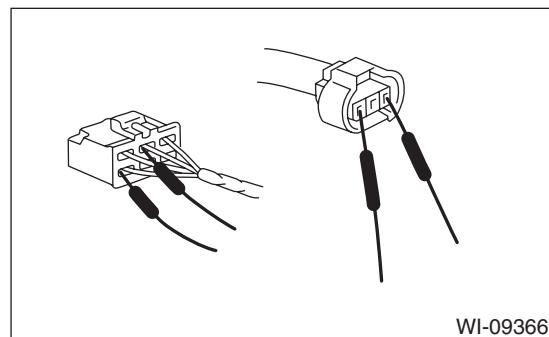
- 5) Some connectors are provided with a lock. One type of such a connector is disconnected by pushing the lock, and the other, by moving the lock up. In either type the lock shape must be identified before attempting to disconnect the connector.

To connect, insert the connector until it snaps and confirm that it is tightly connected.



- 6) When checking continuity between connector terminals, or measuring the voltage across the terminal and ground, always contact tester probe(s) on terminals from the wiring connection side. If the probe is too thick to gain access to the terminal, use "mini" test leads.

To check water-proof connectors (which are not measurable from the wiring side), contact test probes on the terminal side. Be careful not to bend or damage terminals.



- 7) Sensors, relays, electrical unit, etc., are sensitive to strong impacts. Handle them with care so that they are not dropped or mishandled.

Power Supply Circuit

WIRING SYSTEM

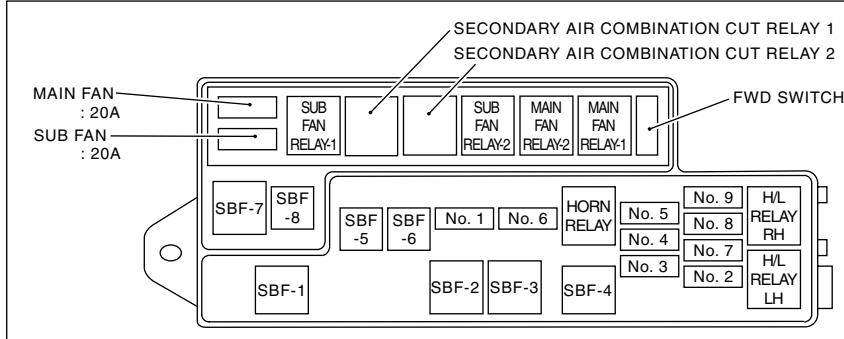
3. Power Supply Circuit

A: WIRING DIAGRAM

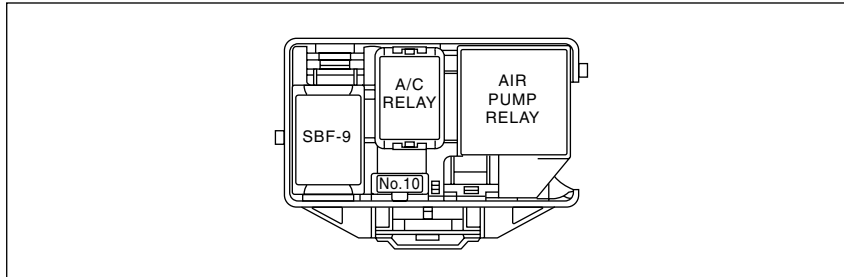
P-SUP-01

P-SUP-01

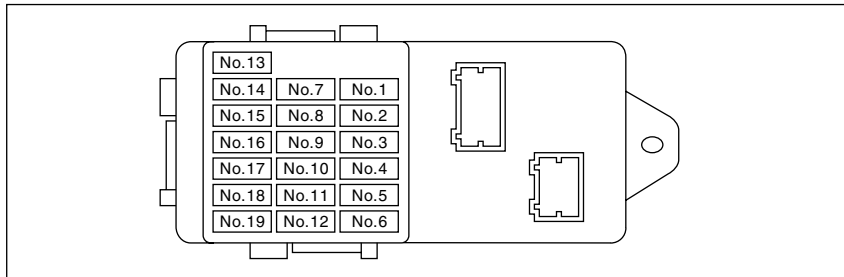
MAIN FUSE BOX (M/B)



SECONDARY A/C FUSE BOX



FUSE & RELAY BOX (F/B)



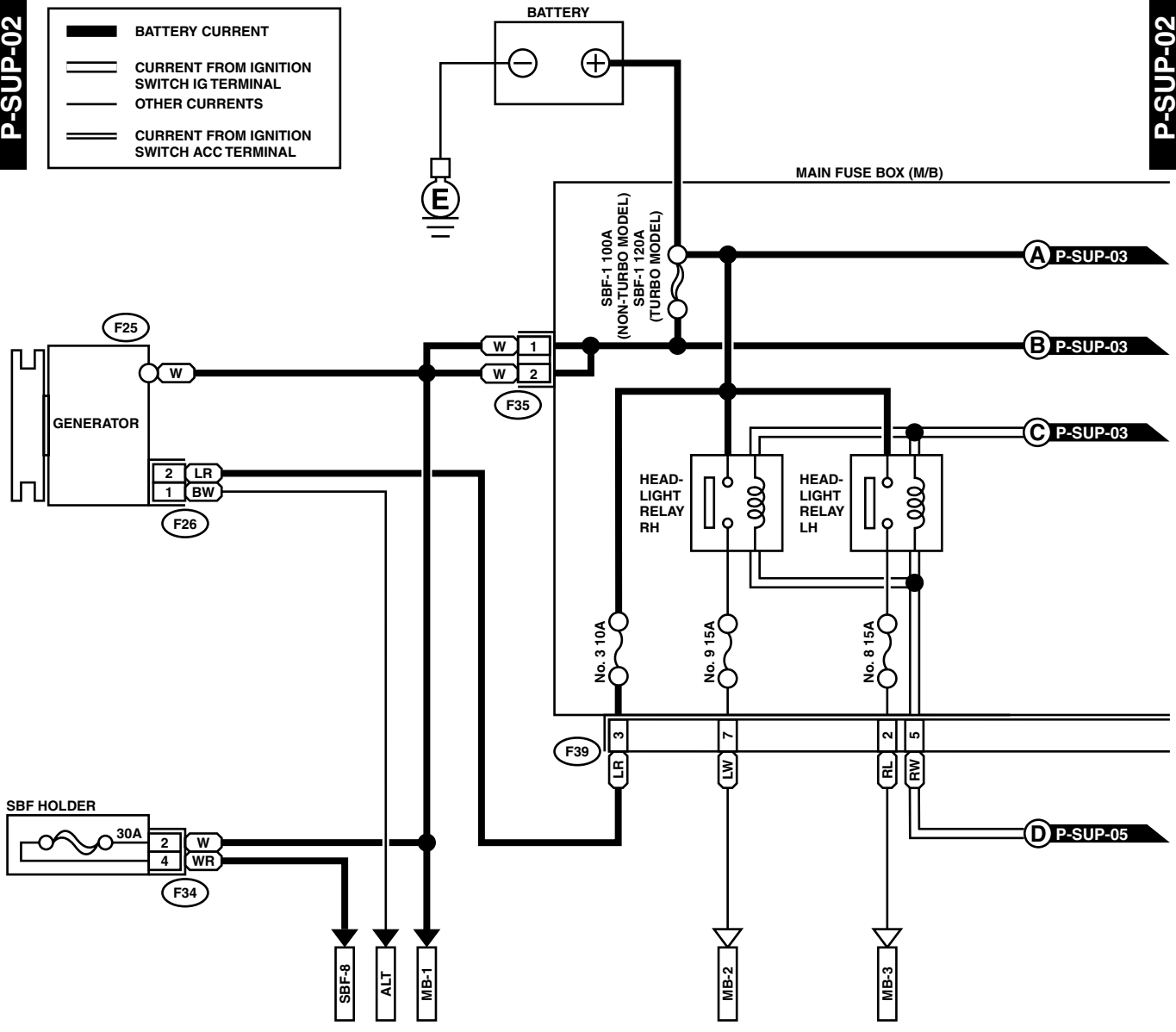
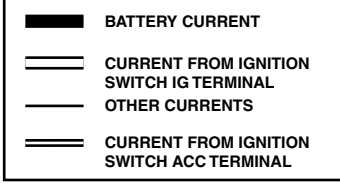
WI-08866

Power Supply Circuit

WIRING SYSTEM

P-SUP-02

P-SUP-02



F35 (BLACK)

F26 (GREEN)

F34 (BLACK)

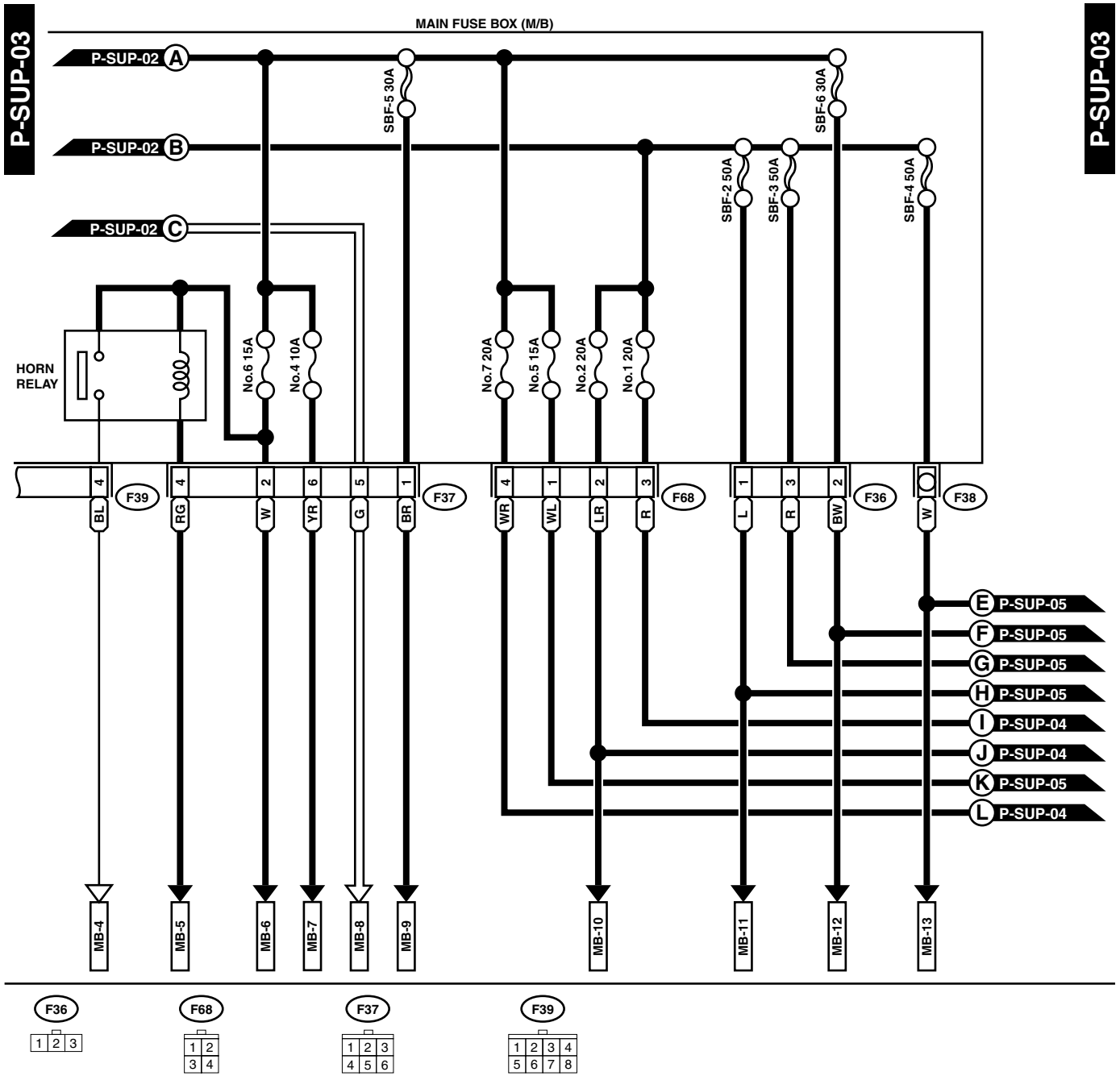
F39



WI-08867

Power Supply Circuit

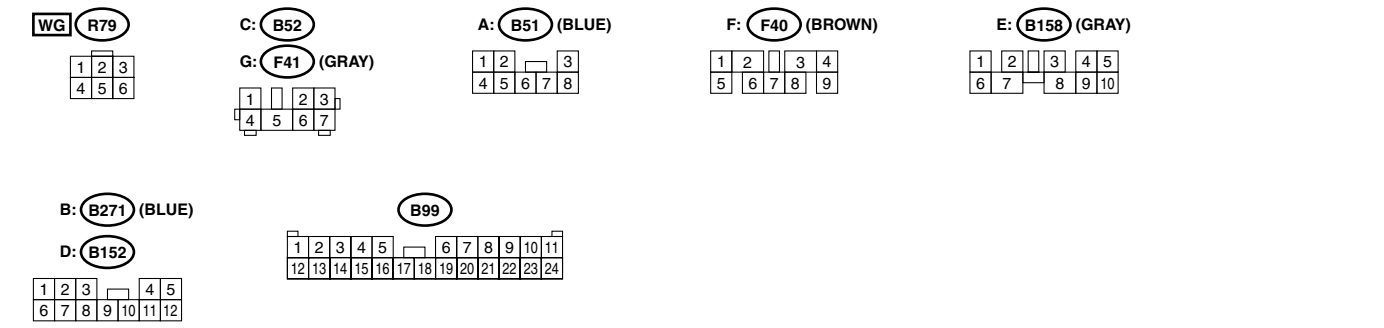
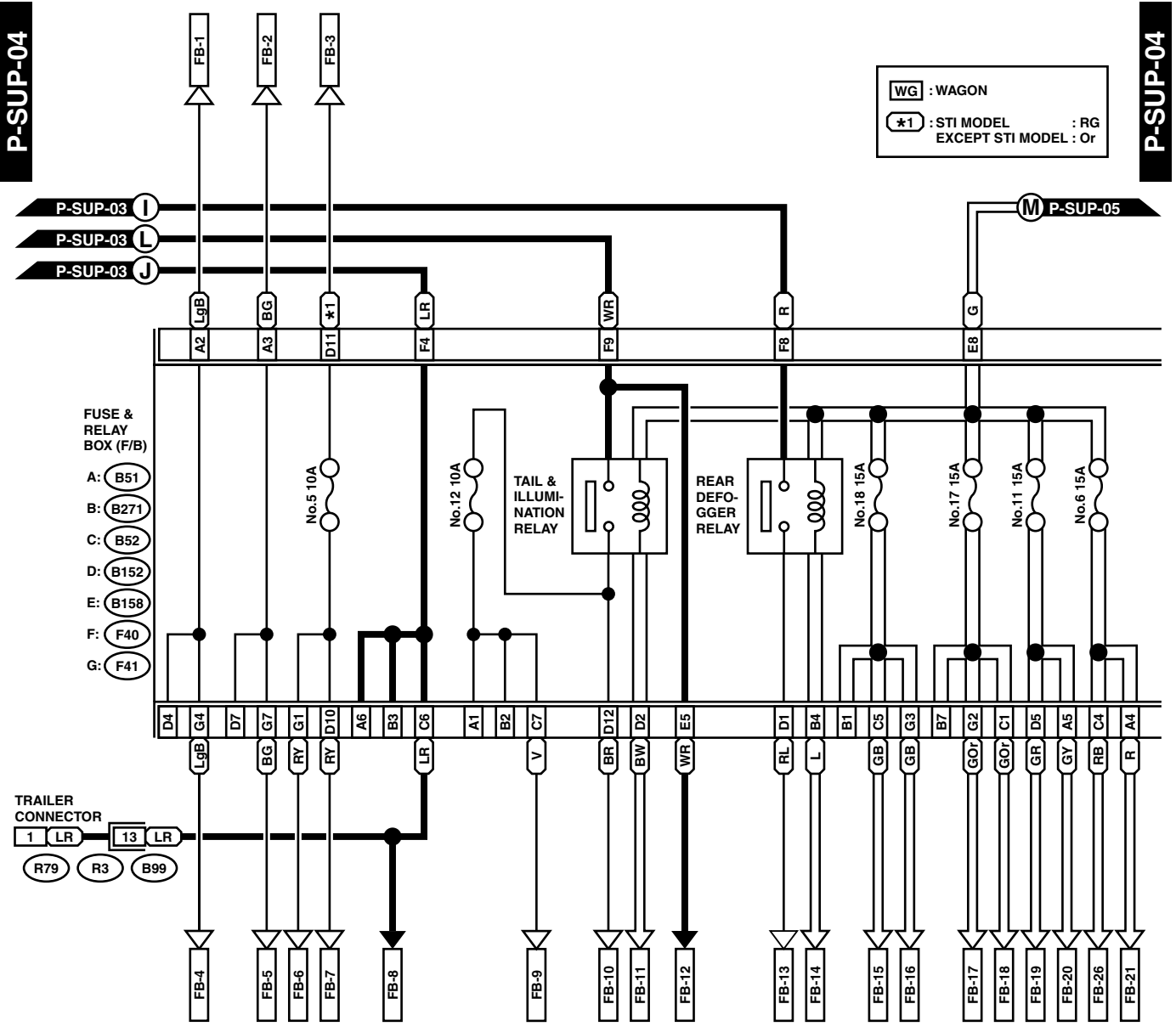
WIRING SYSTEM



WI-08868

Power Supply Circuit

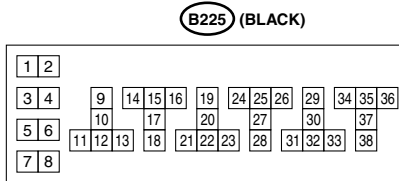
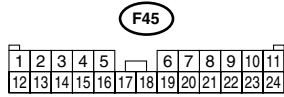
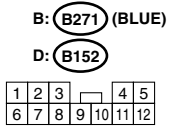
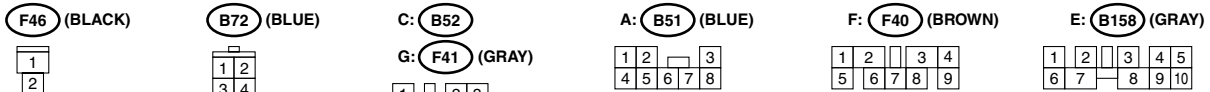
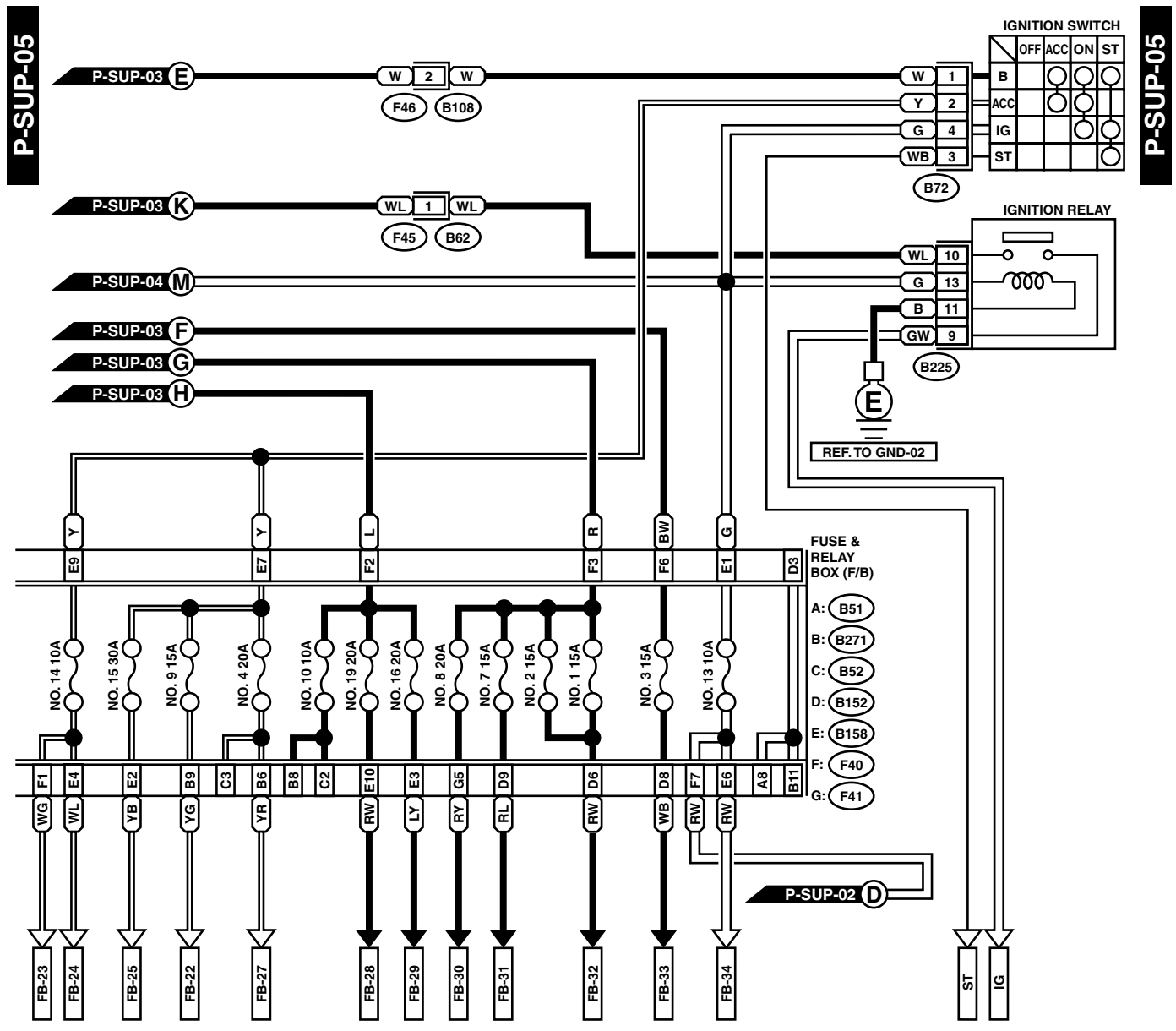
WIRING SYSTEM



WI-08869

Power Supply Circuit

WIRING SYSTEM



RELAY BLOCK

WI-08870

Power Supply Circuit

WIRING SYSTEM

No.	Load
MB-1	A/C relay holder (Fuse) Secondary A/C relay holder
MB-2	Combination meter Headlight RH
MB-3	Headlight LH
MB-4	Horn
MB-5	Cruise control switch Horn switch Keyless entry control module Security horn relay
MB-6	Hazard switch Ignition starter and steering lock assembly Keyless entry control module
MB-7	TCM Driver's control center differential relay Driver's control center differential control module
MB-8	Daytime running light control module Diode (Daytime running light)
MB-9	Data link connector ECM Fuel pump relay Main relay Electronic throttle control relay Immobilizer control module
MB-10	Keyless buzzer
MB-11	Fuse (Seat heater)
MB-12	Power window circuit breaker
MB-13	Relay holder
SBF-8	ABS control module
IG	Hazard switch Power window relay
ST	Interrupt relay
FB-1	Combination meter Hazard switch Rear turn signal light RH Trailer connector Turn signal switch Keyless entry control module
FB-2	Combination meter Hazard switch Rear turn signal light LH Trailer connector Turn signal switch Keyless entry control module
FB-3	Parking switch
FB-4	Front turn signal light RH
FB-5	Front turn signal light LH
FB-6	Front clearance light LH Front clearance light RH Headlight leveler LH Headlight leveler RH
FB-7	License plate light Rear combination light LH Rear combination light RH Trailer connector

No.	Load
FB-8	Clock Auto A/C control module Combination meter Ignition starter and steering lock assembly Keyless entry control module Radio Room light Spot map light
FB-9	Clock Combination meter Illumination light Body integrated module Headlight leveler switch HID relay
FB-10	Parking switch
FB-11	ECM Lighting switch
FB-12	Parking switch
FB-13	Mirror heater relay Rear defogger Rear defogger switch Auto A/C control module
FB-14	Body integrated module ECM
FB-15	ABS control module Back-up light switch (MT) Data link connector Cruise control switch ECM Daytime running light control module Daytime running light relay High-beam relay Keyless entry control module Impact sensor Vehicle speed sensor (MT) Wiper deicer relay Wiper deicer timer Stop light and brake switch Cruise clutch switch (MT)
FB-16	Main fan relay-1 Main fan relay-2
FB-17	A/C relay Sub fan relay-1 Sub fan relay-2 A/C pressure switch
FB-18	A/C switch Auto A/C control module Blower fan motor relay Illumination light

Power Supply Circuit

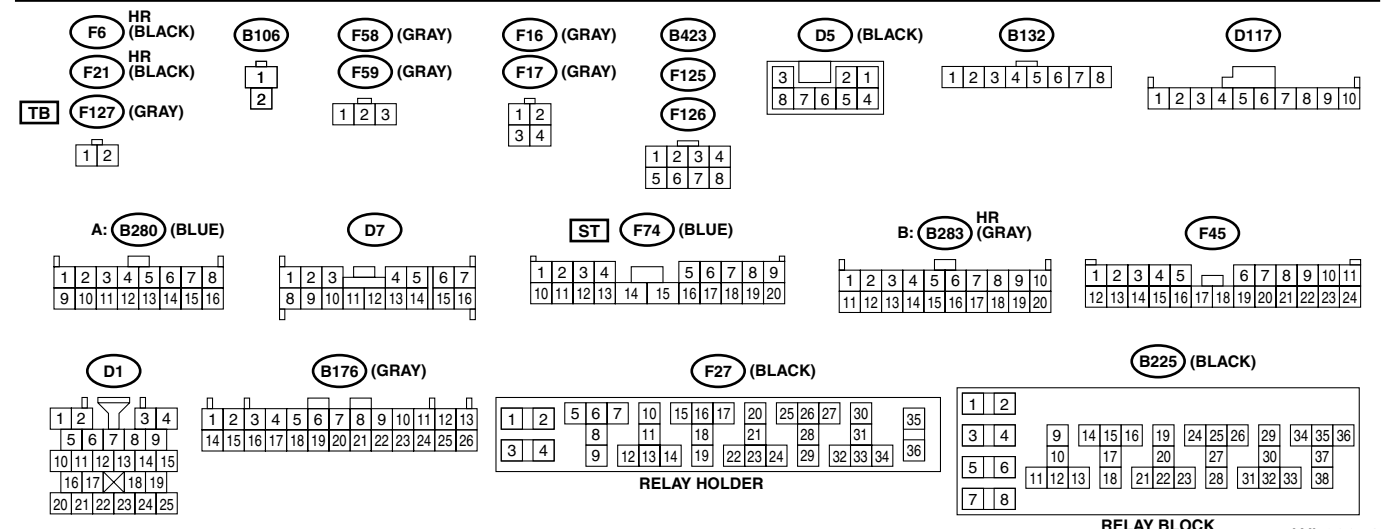
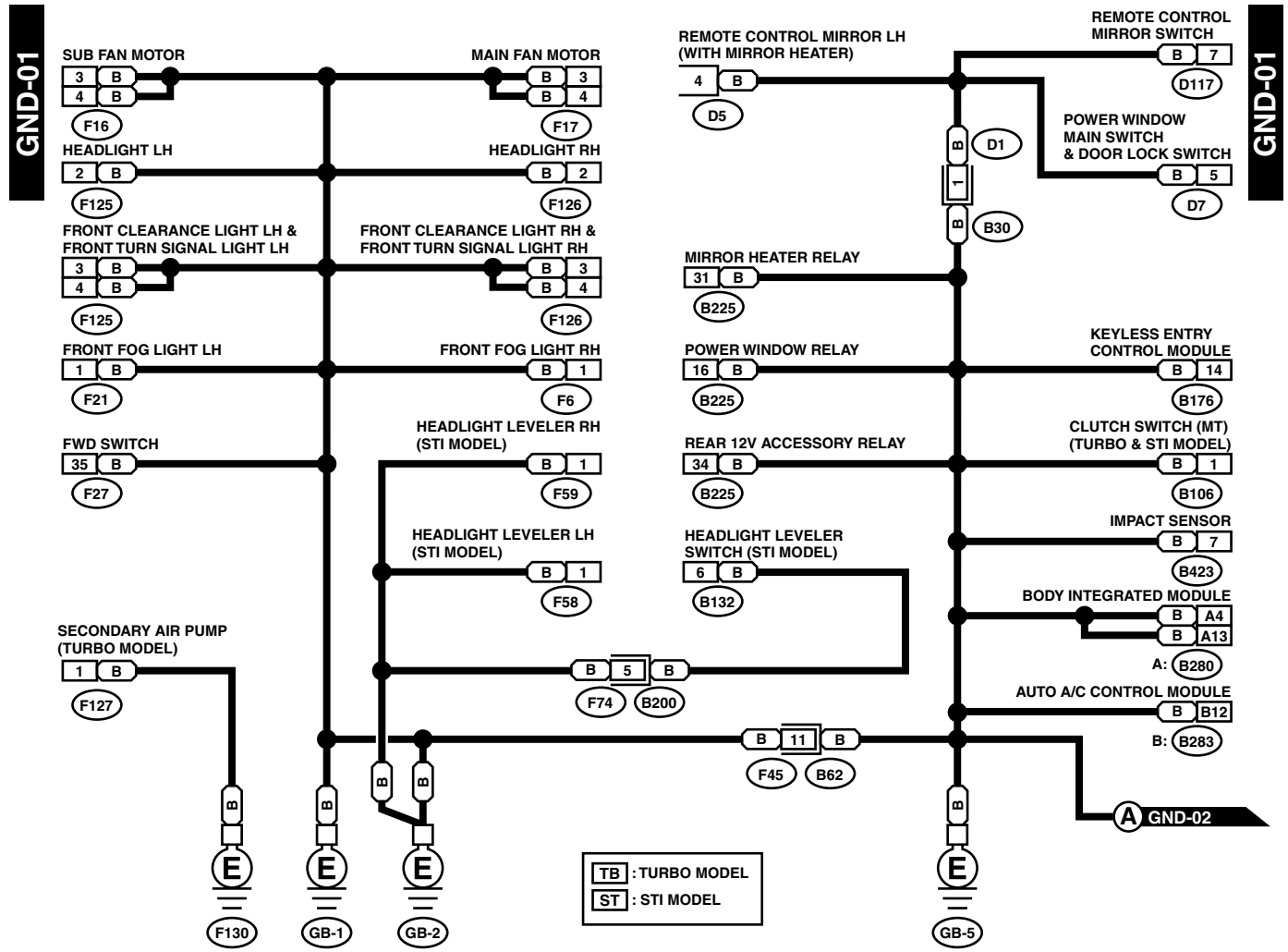
WIRING SYSTEM

No.	Load
FB-19	ECM Fuel pump relay Inhibitor switch (AT) Immobilizer control module Ignition coil No. 1 Ignition coil No. 2 Ignition coil No. 3 Ignition coil No. 4 Body integrated module TCM Driver's control center differential control module Driver's control center differential relay
FB-20	Airbag control module
FB-21	Airbag control module
FB-22	Clock Auto A/C control module Radio
FB-23	Rear washer motor
FB-24	Rear wiper intermittent module (Wagon) Rear wiper motor (Wagon)
FB-25	Combination switch Front washer motor Front wiper motor
FB-26	Occupant detection module
FB-27	Compass mirror Front accessory power supply socket Body integrated module TCM Rear 12 V accessory relay Remote control mirror switch Intercooler water spray switch Intercooler water spray timer
FB-28	Mirror heater relay Wiper deicer relay
FB-29	Stop light switch
FB-30	ABS control module
FB-31	Front fog light relay
FB-32	Blower fan motor relay
FB-33	Body integrated module
FB-34	Combination meter

4. Ground Circuit

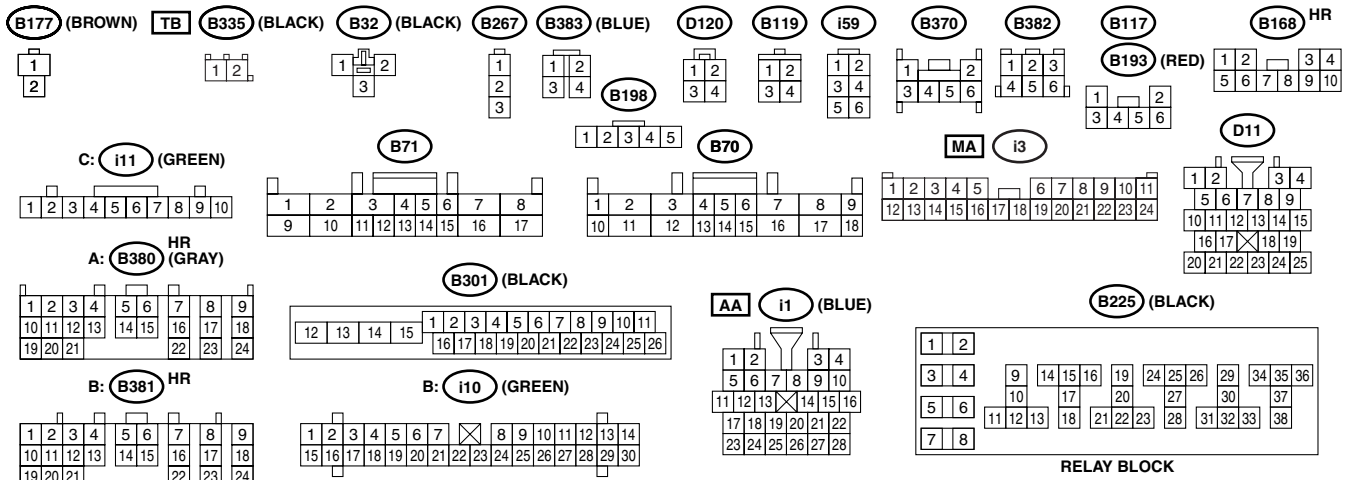
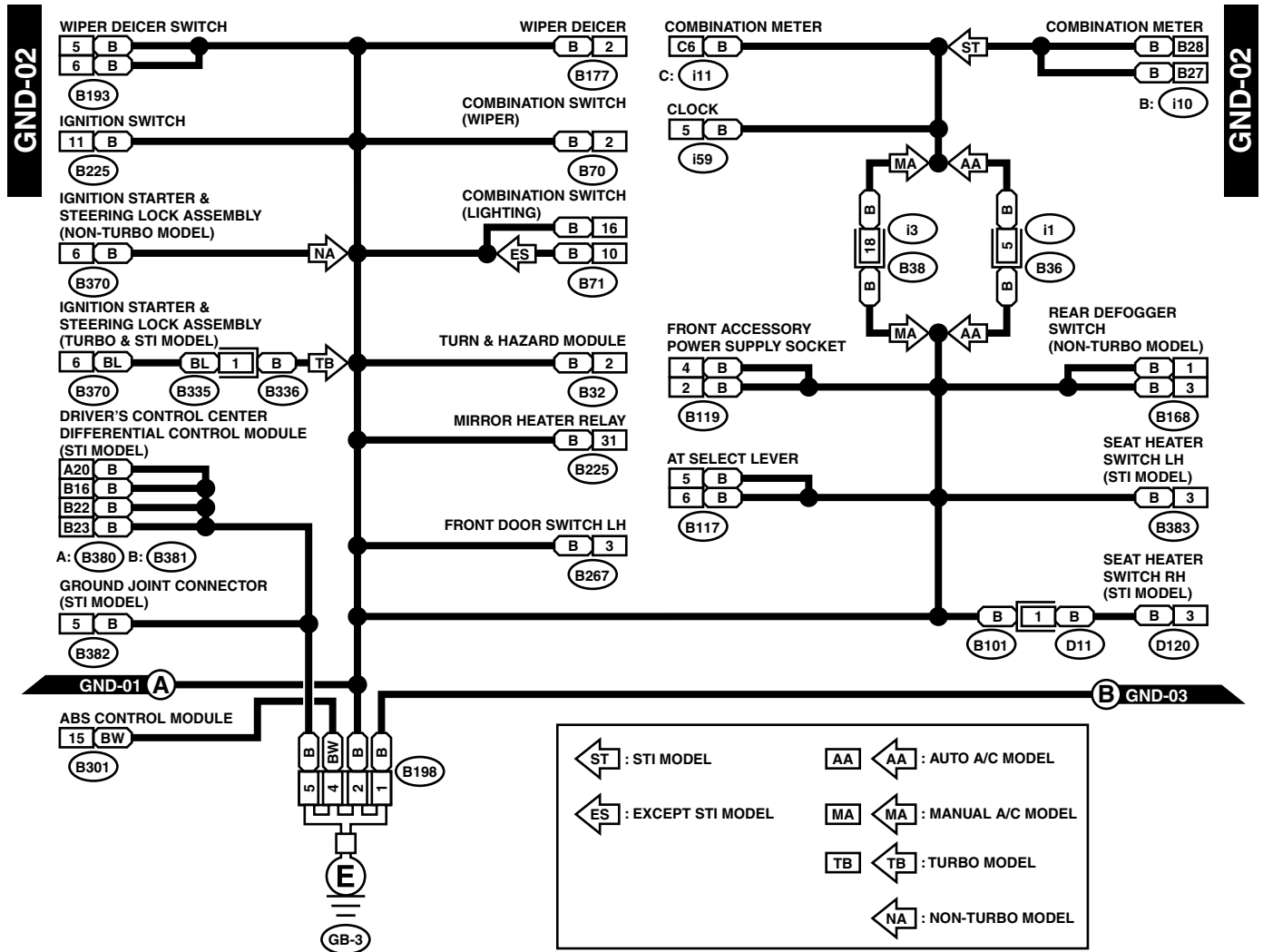
A: WIRING DIAGRAM

1. BODY GROUND



Ground Circuit

WIRING SYSTEM



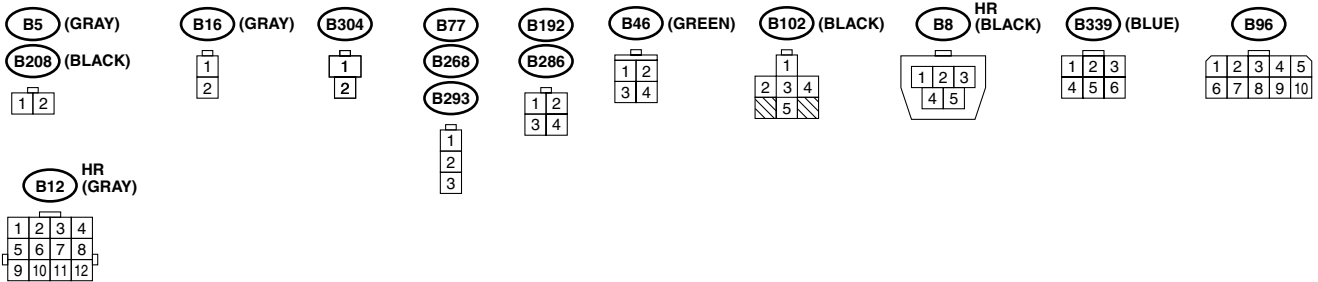
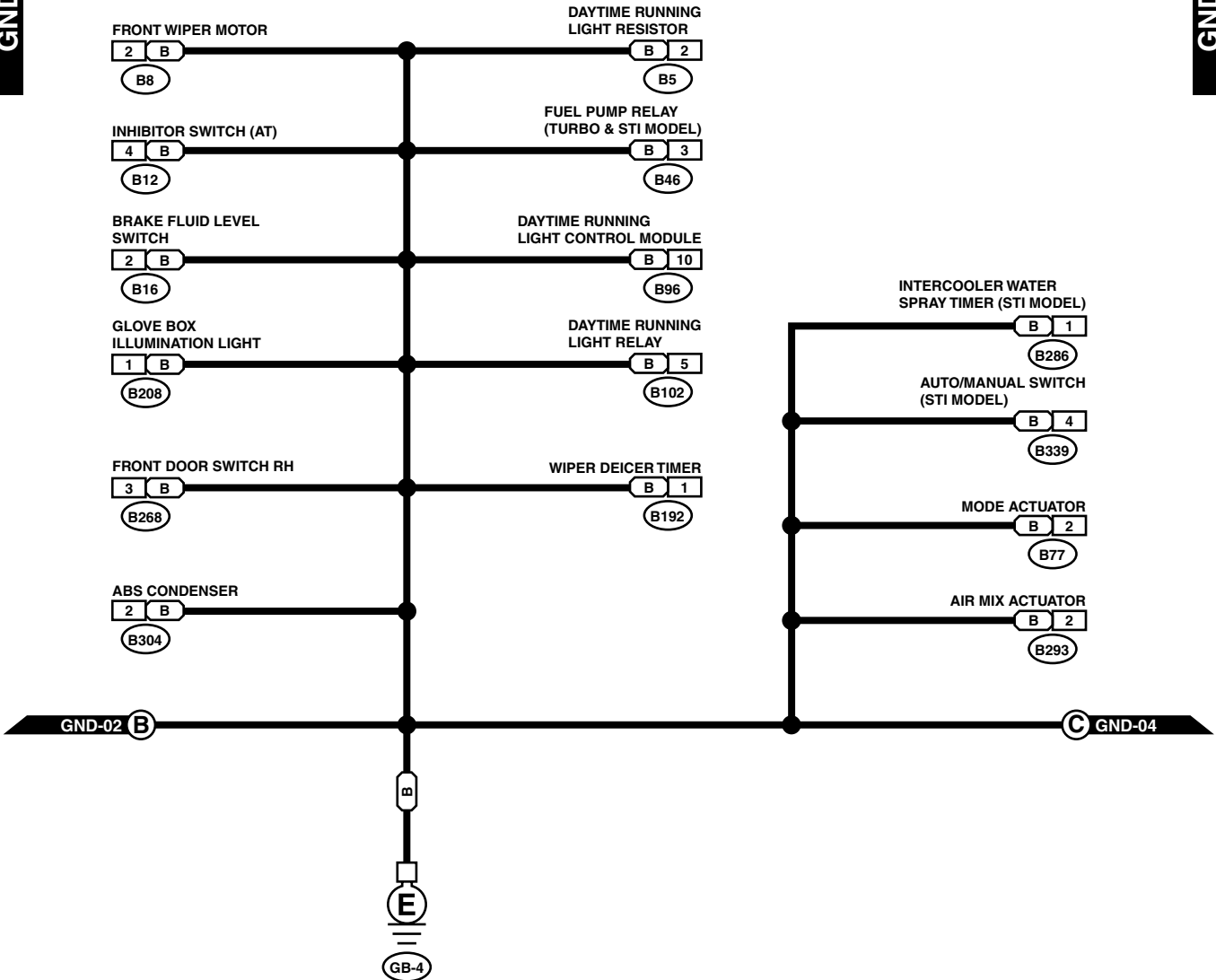
WI-08872

Ground Circuit

WIRING SYSTEM

GND-03

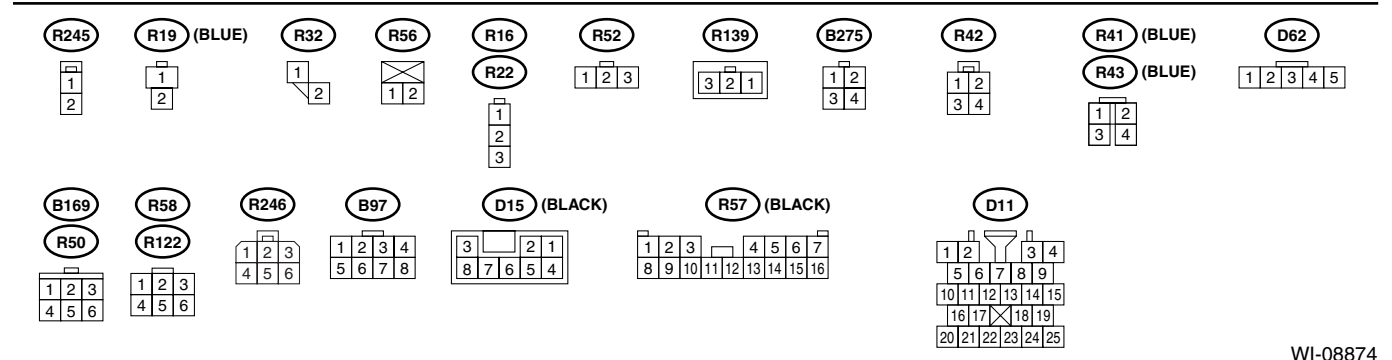
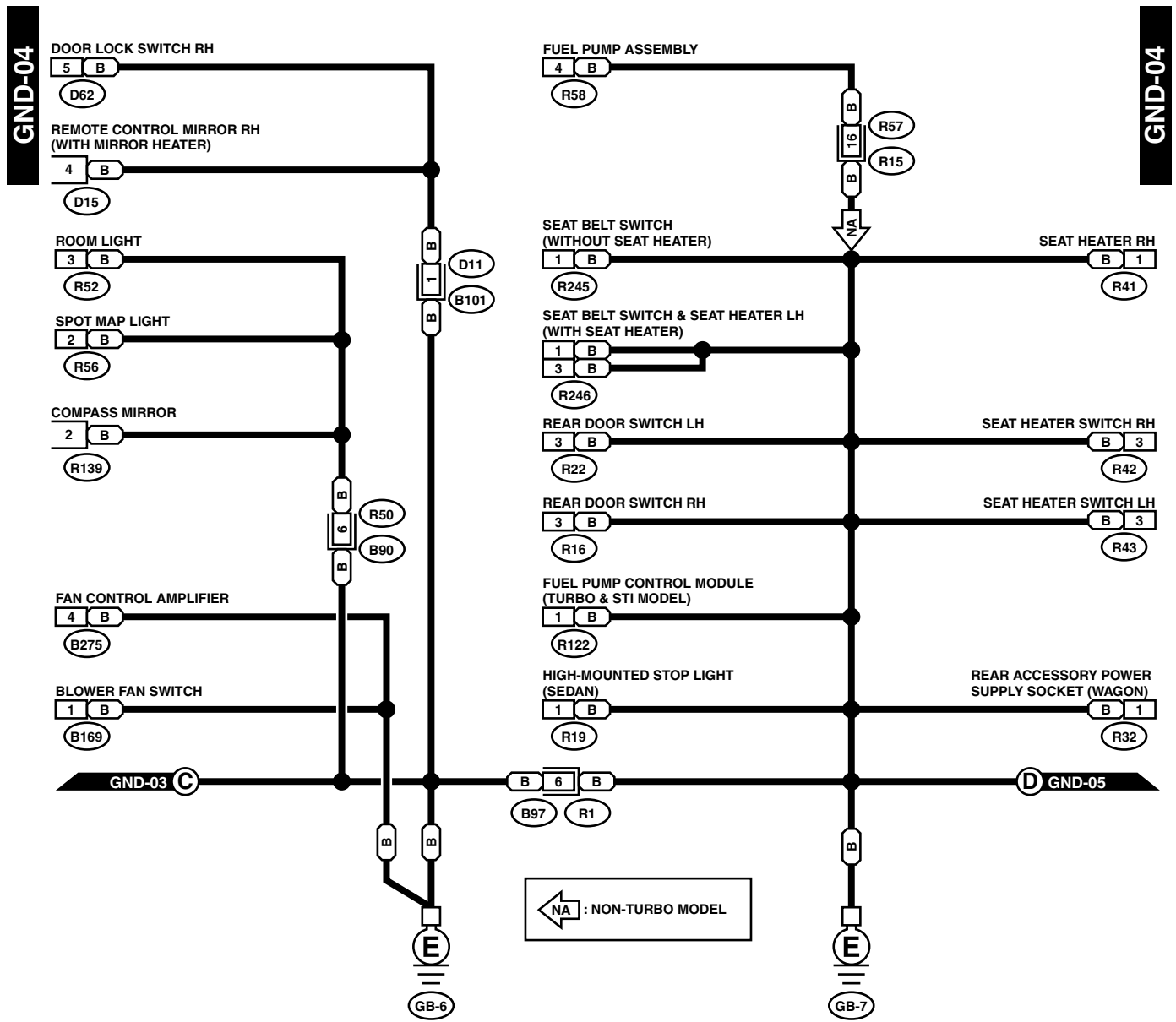
GND-03



WI-08873

Ground Circuit

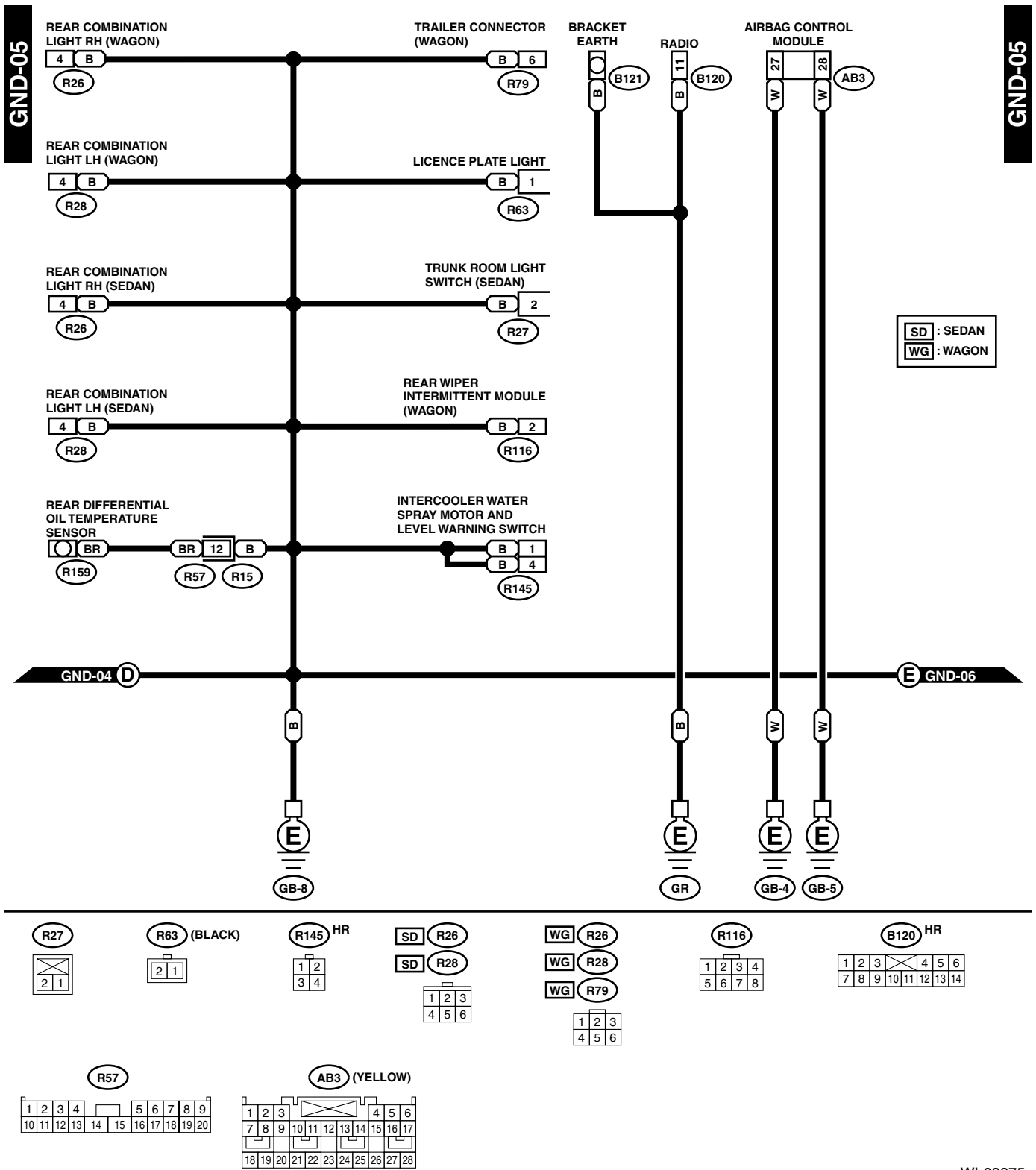
WIRING SYSTEM



WI-08874

Ground Circuit

WIRING SYSTEM



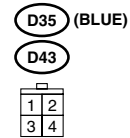
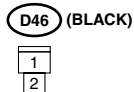
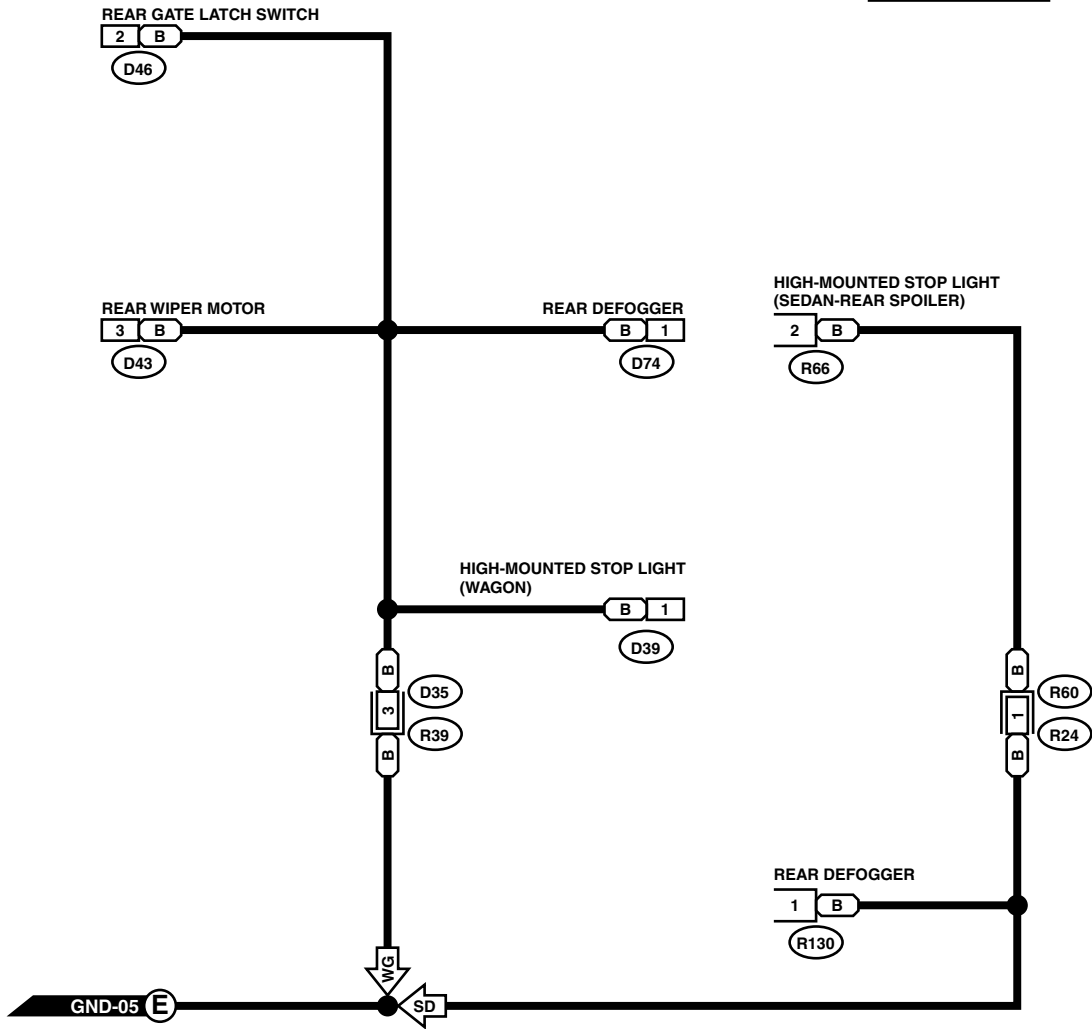
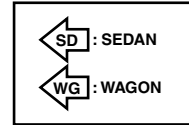
WI-08875

Ground Circuit

WIRING SYSTEM

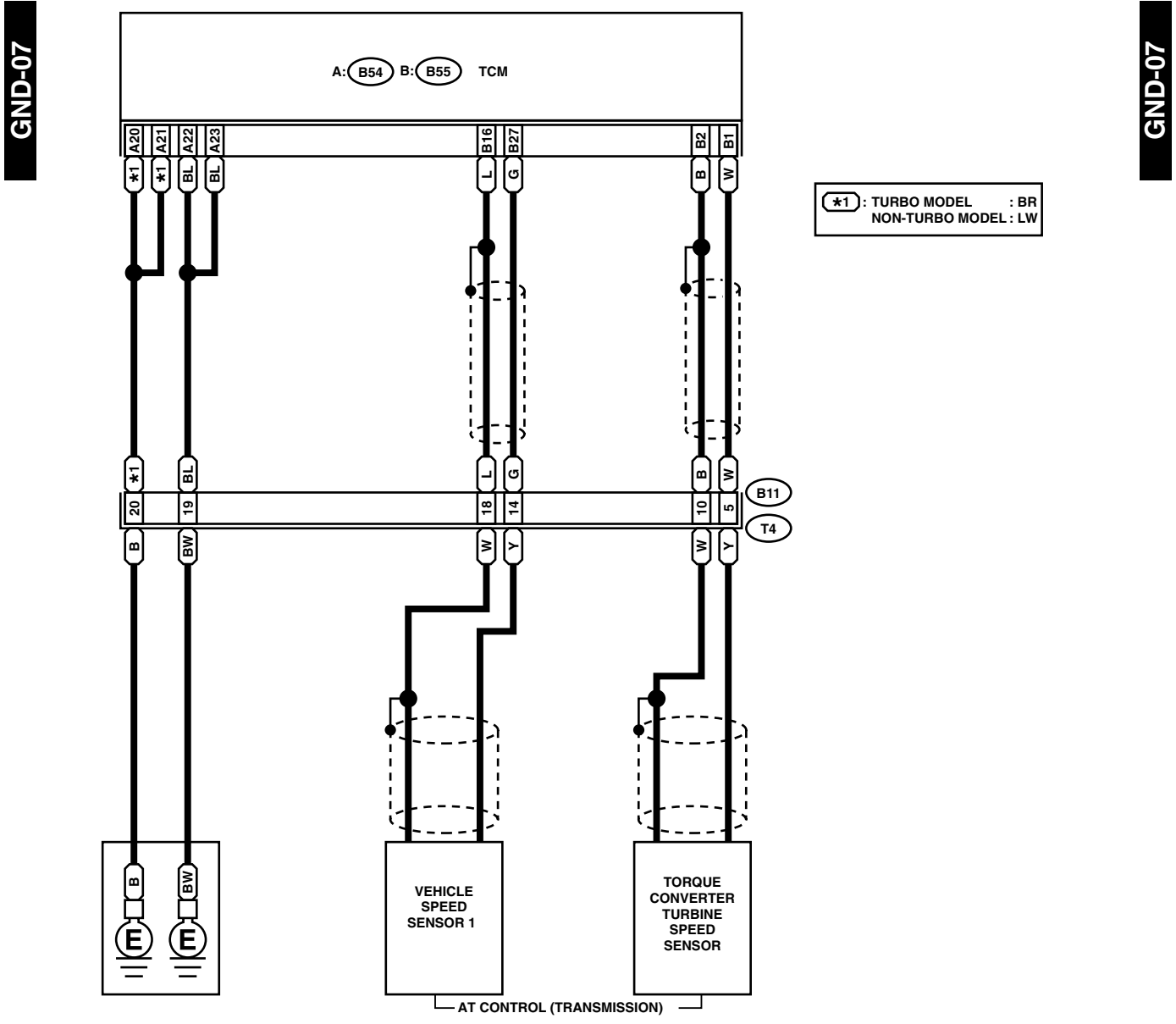
GND-06

GND-06



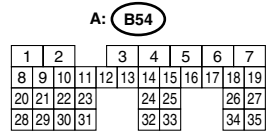
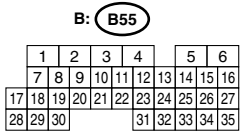
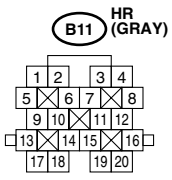
WI-08876

2. AT TRANSMISSION GROUND



GND-07

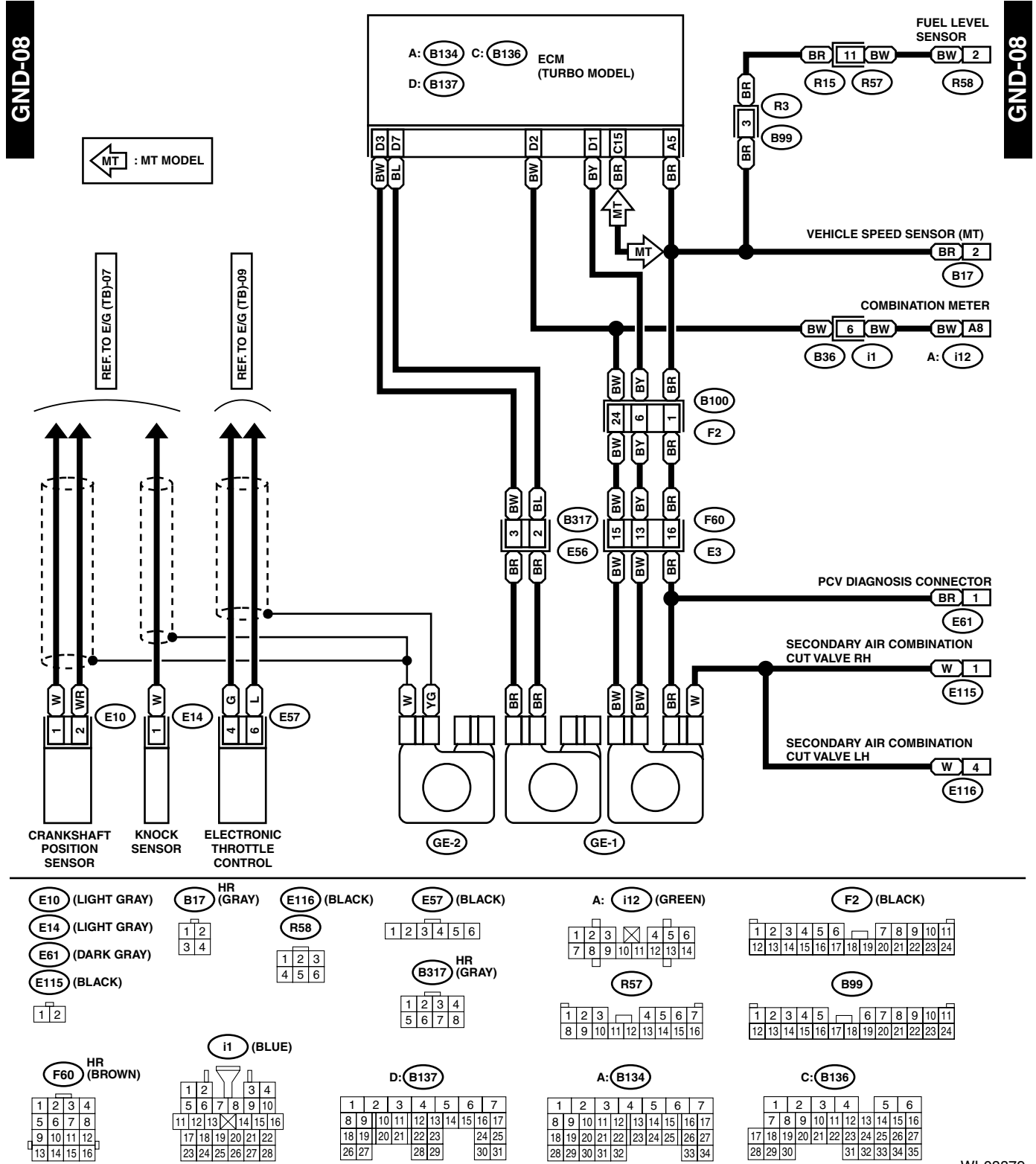
GND-07



Ground Circuit

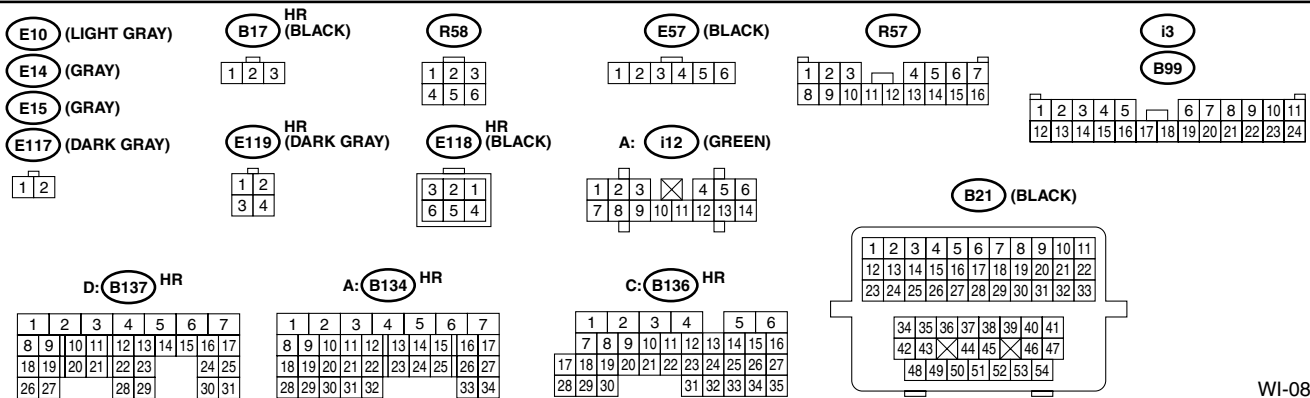
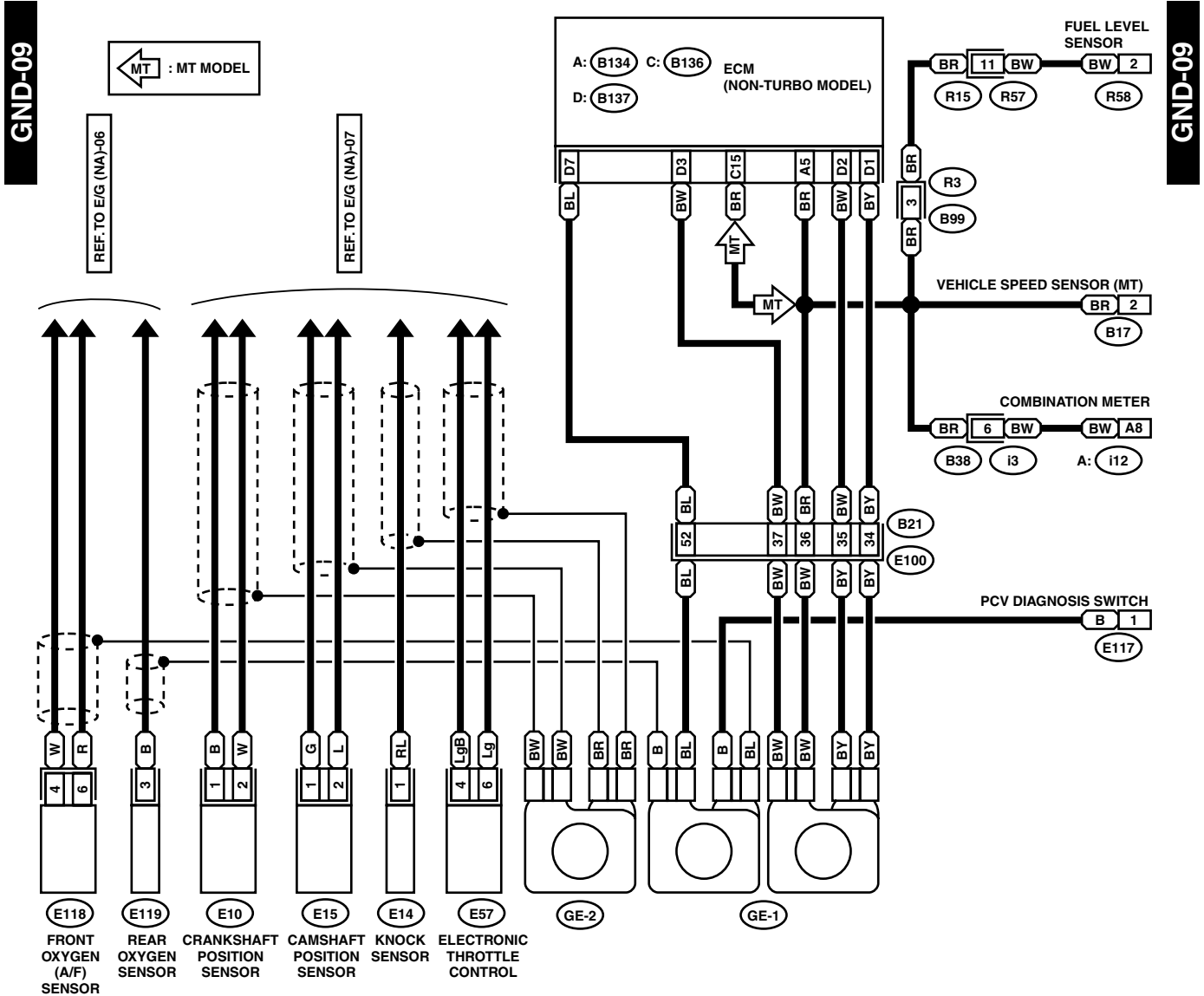
WIRING SYSTEM

3. ENGINE GROUND (TURBO MODEL)



WI-08879

4. ENGINE GROUND (NON-TURBO MODEL)

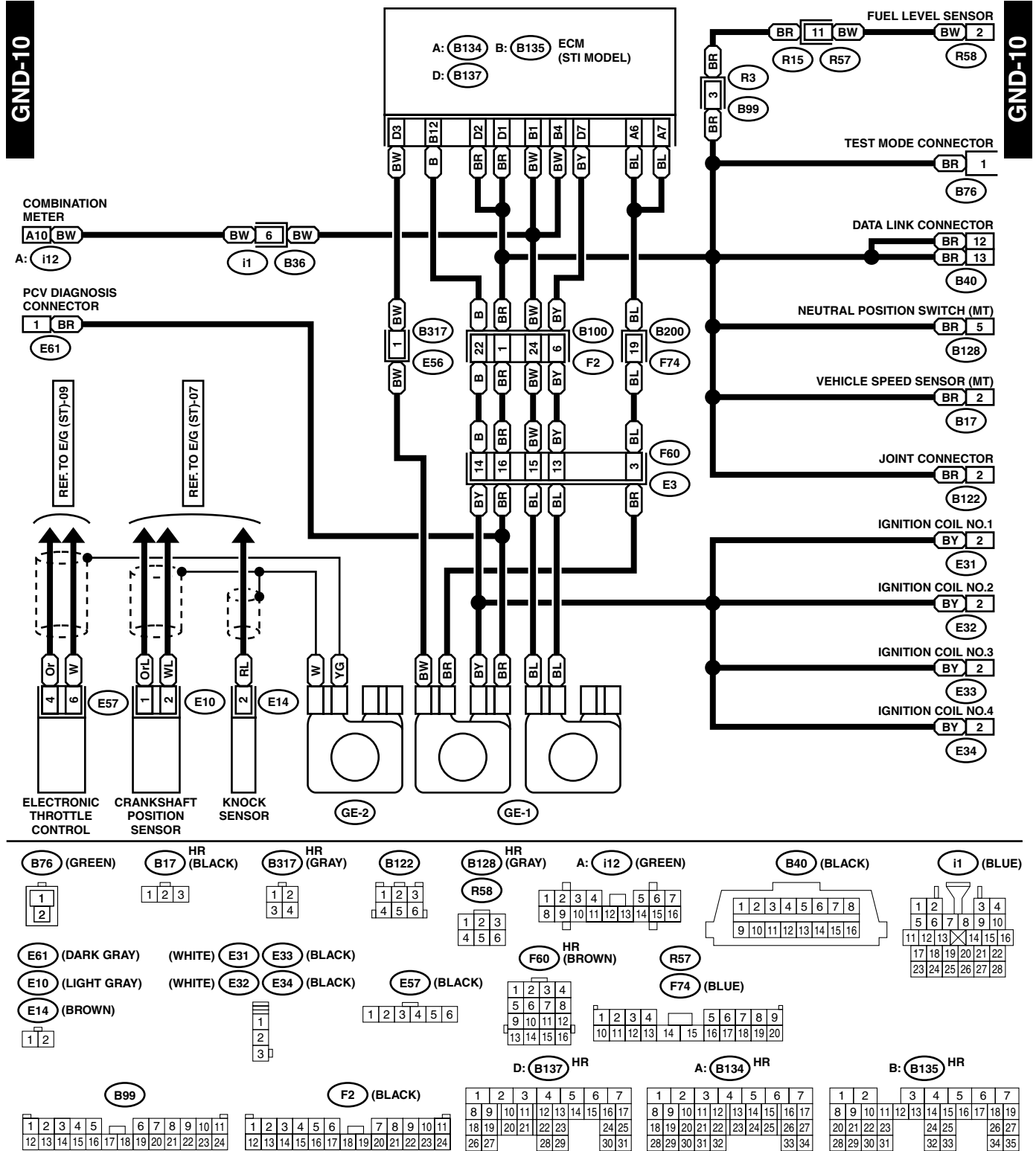


WI-08880

Ground Circuit

WIRING SYSTEM

5. ENGINE GROUND (STI MODEL)



WI-08881

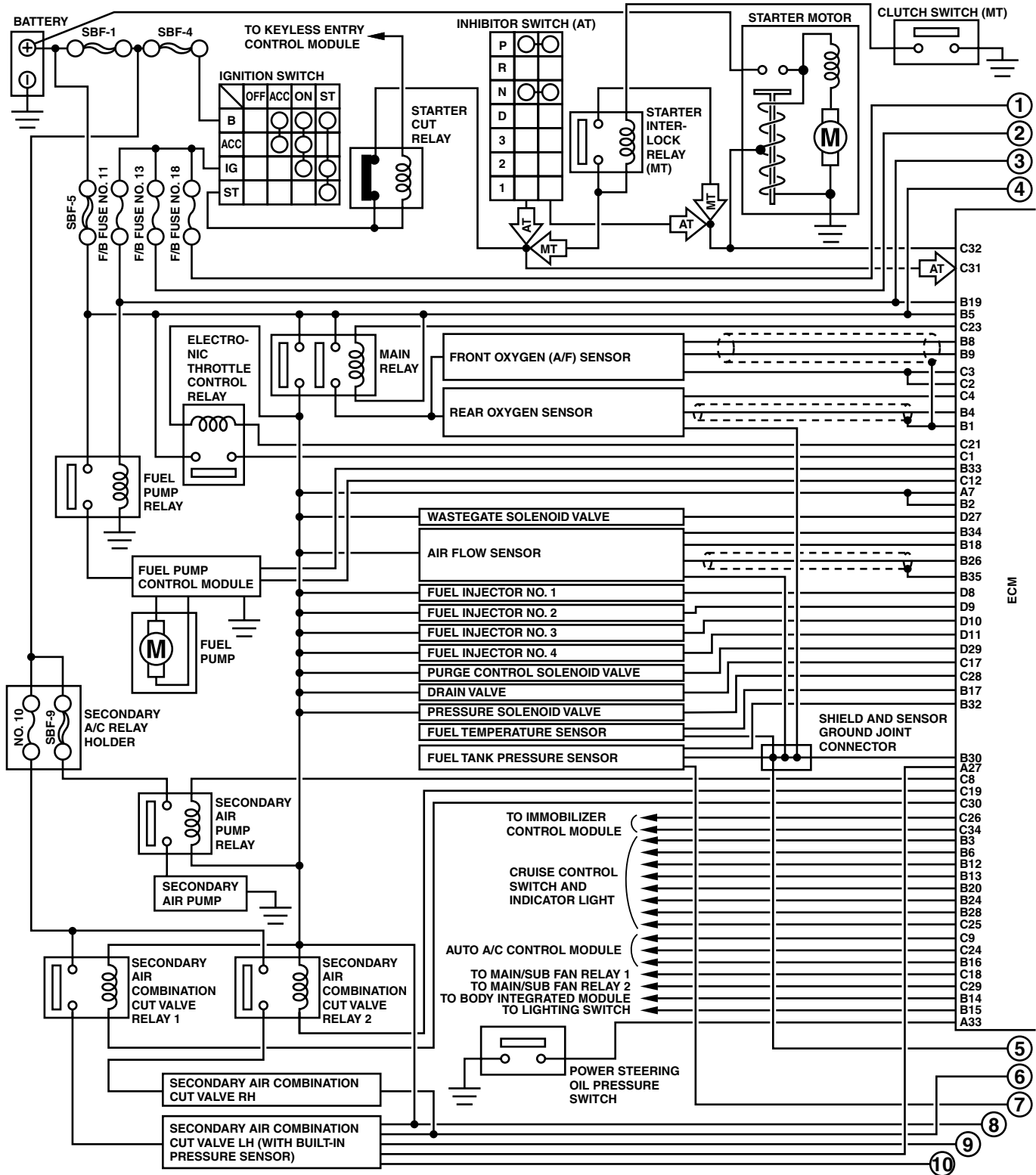
Engine Electrical System

WIRING SYSTEM

5. Engine Electrical System

A: WIRING DIAGRAM

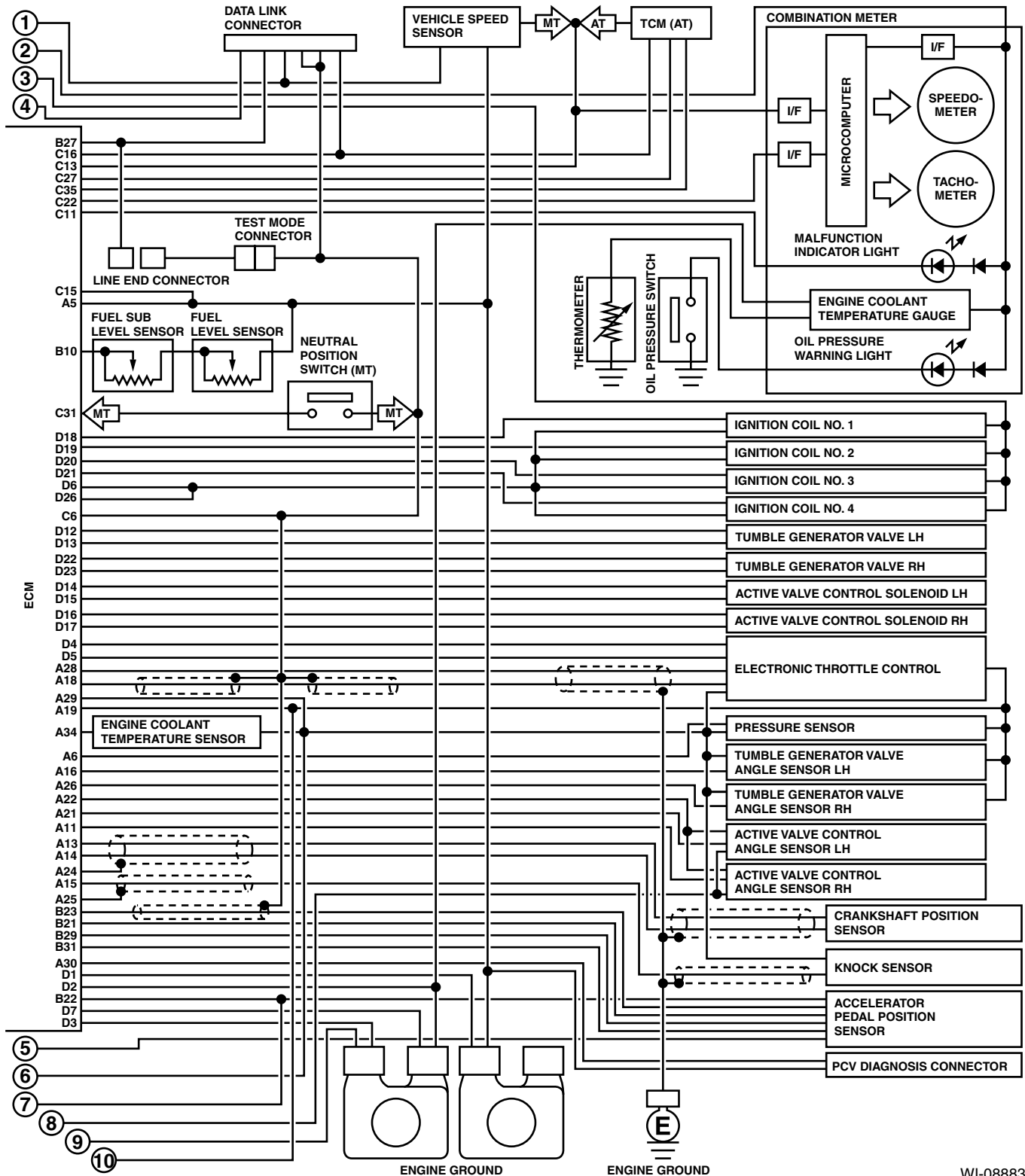
1. TURBO MODEL



WI-08882

Engine Electrical System

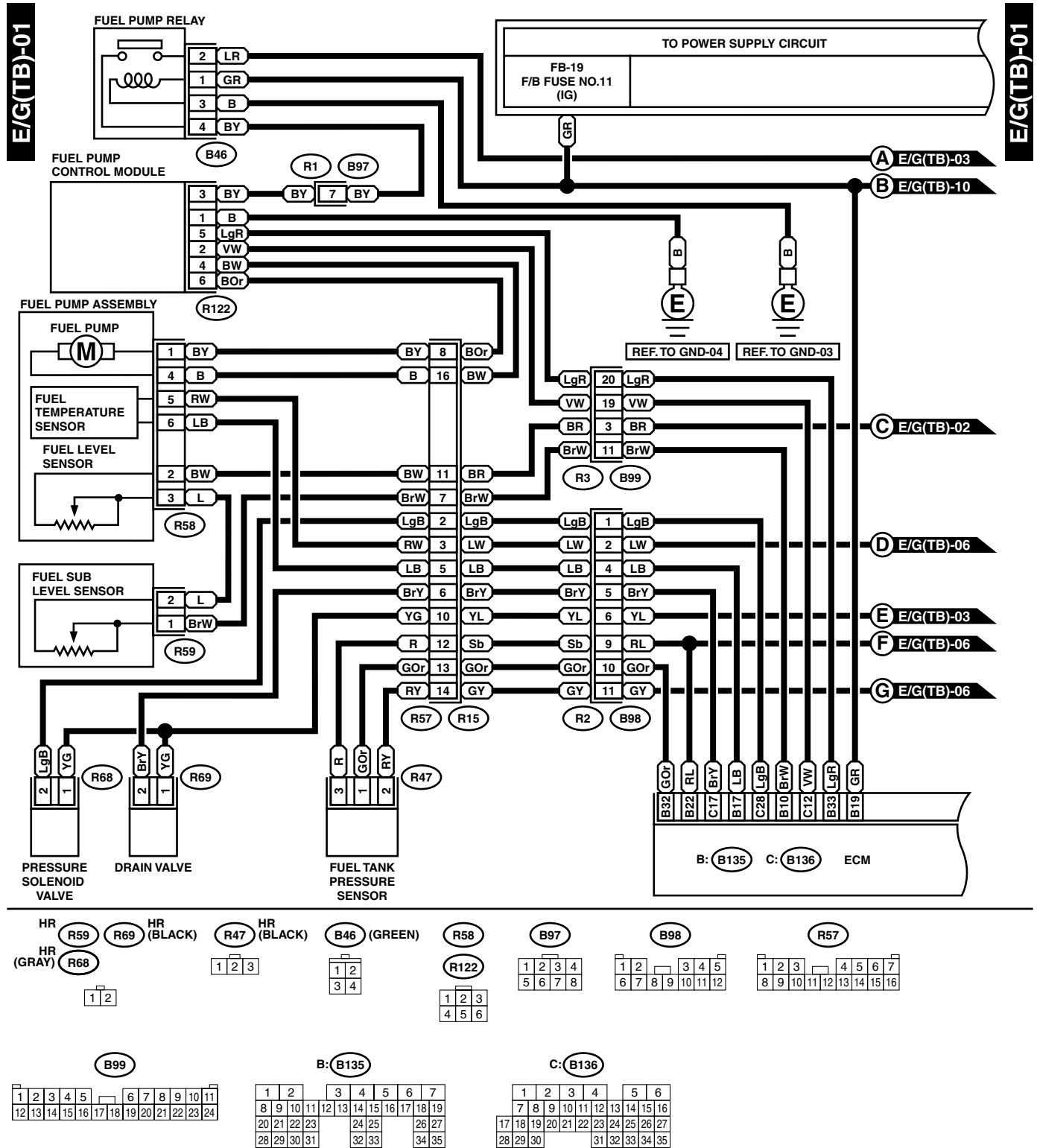
WIRING SYSTEM



WI-08883

Engine Electrical System

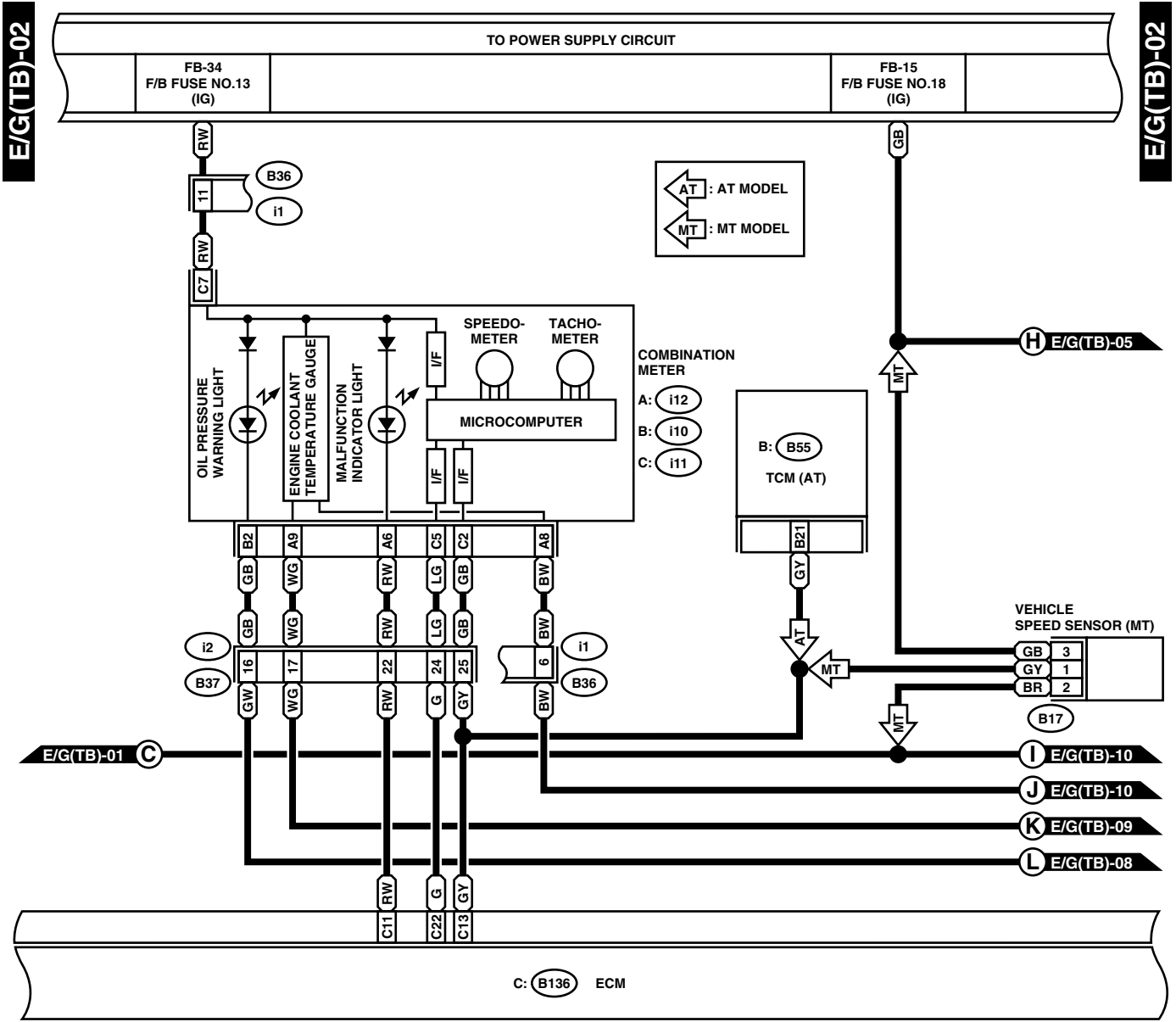
WIRING SYSTEM



WI-08884

Engine Electrical System

WIRING SYSTEM



B17 (GRAY) HR

1	2
3	4

C: i11 (GREEN)

1	2	3	4	5	6	7	8	9	10
---	---	---	---	---	---	---	---	---	----

A: i12 (GREEN)

1	2	3	4	5	6
7	8	9	10	11	12
13	14				

B: i10 (GREEN)

1	2	3	4	5	6	7	8	9	10	11	12	13	14		
15	16	17	18	19	20	21	22	23	24	25	26	27	28	29	30

B: B55

C: B136

1	2	3	4	5	6
7	8	9	10	11	12
13	14	15	16		
17	18	19	20	21	22
23	24	25	26	27	
28	29	30		31	32
33	34	35			

B37

1	2	3	4
5	6	7	8
9	10	11	12
13	14	15	16
17	18	19	20
21	22	23	24
25			

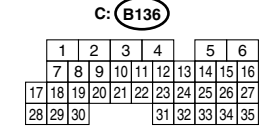
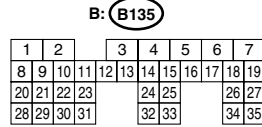
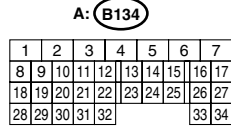
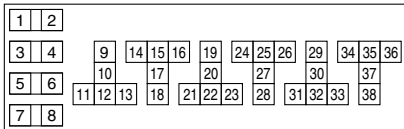
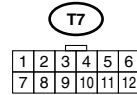
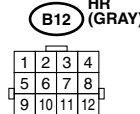
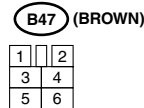
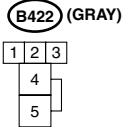
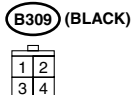
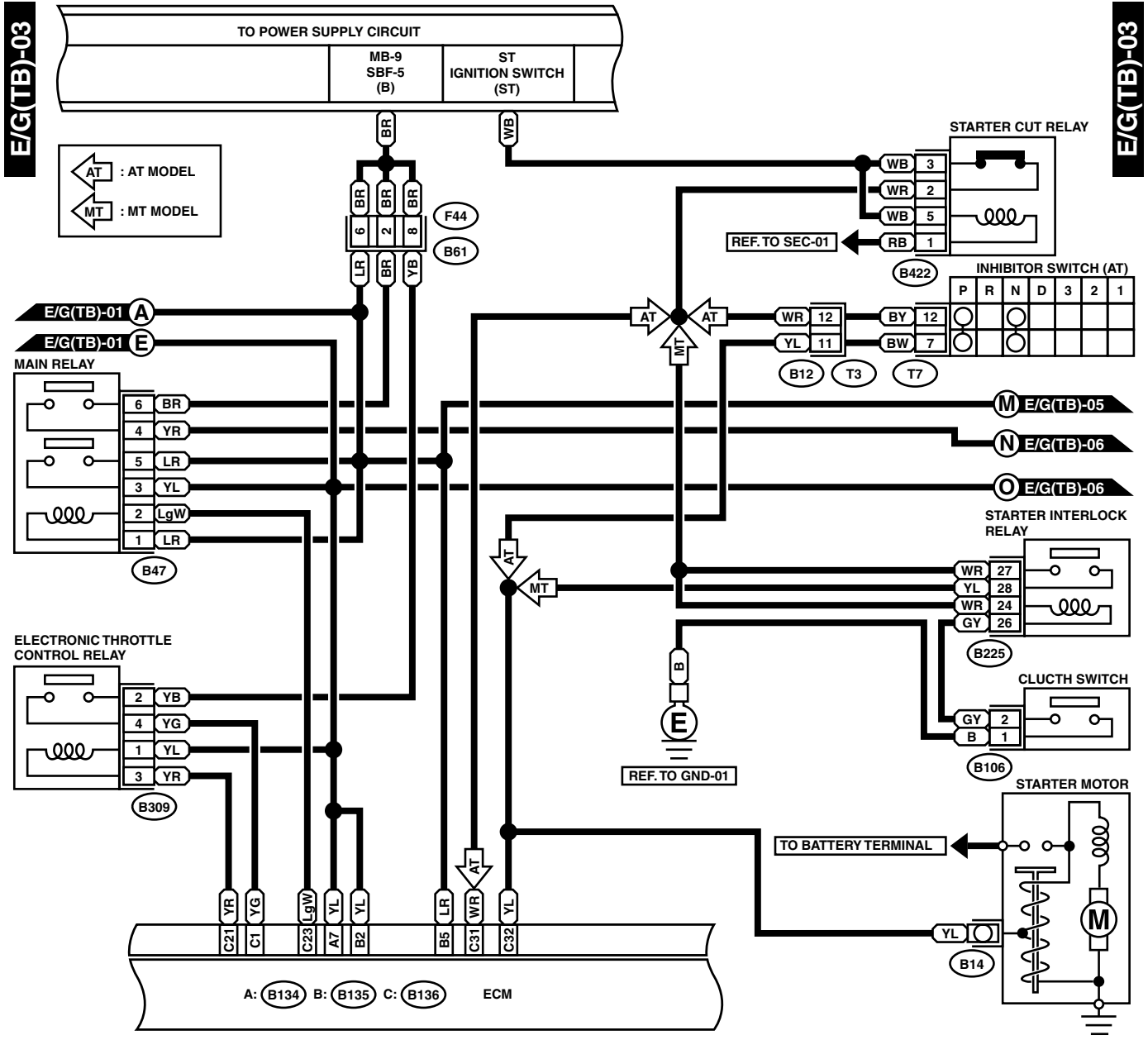
i1 (BLUE)

1	2	3	4
5	6	7	8
9	10	11	12
13	14	15	16
17	18	19	20
21	22	23	24
25	26	27	28

WI-08885

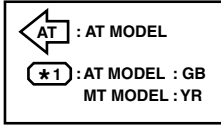
Engine Electrical System

WIRING SYSTEM

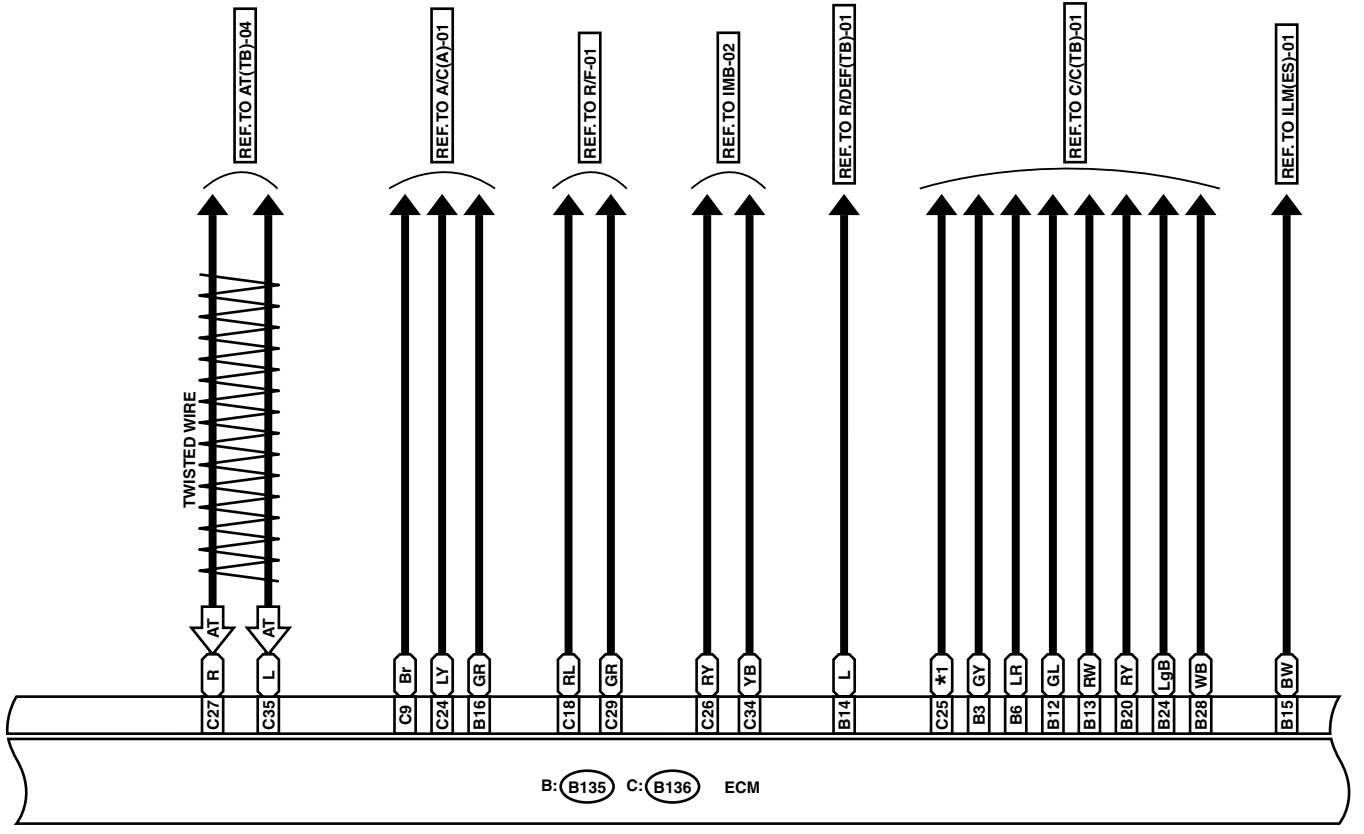


WI-08886

E/G(TB)-04



E/G(TB)-04



B: (B135)

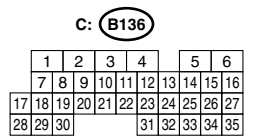
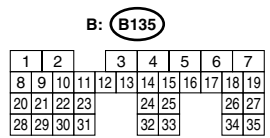
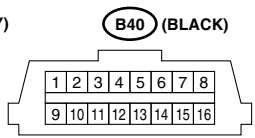
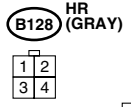
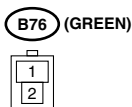
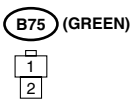
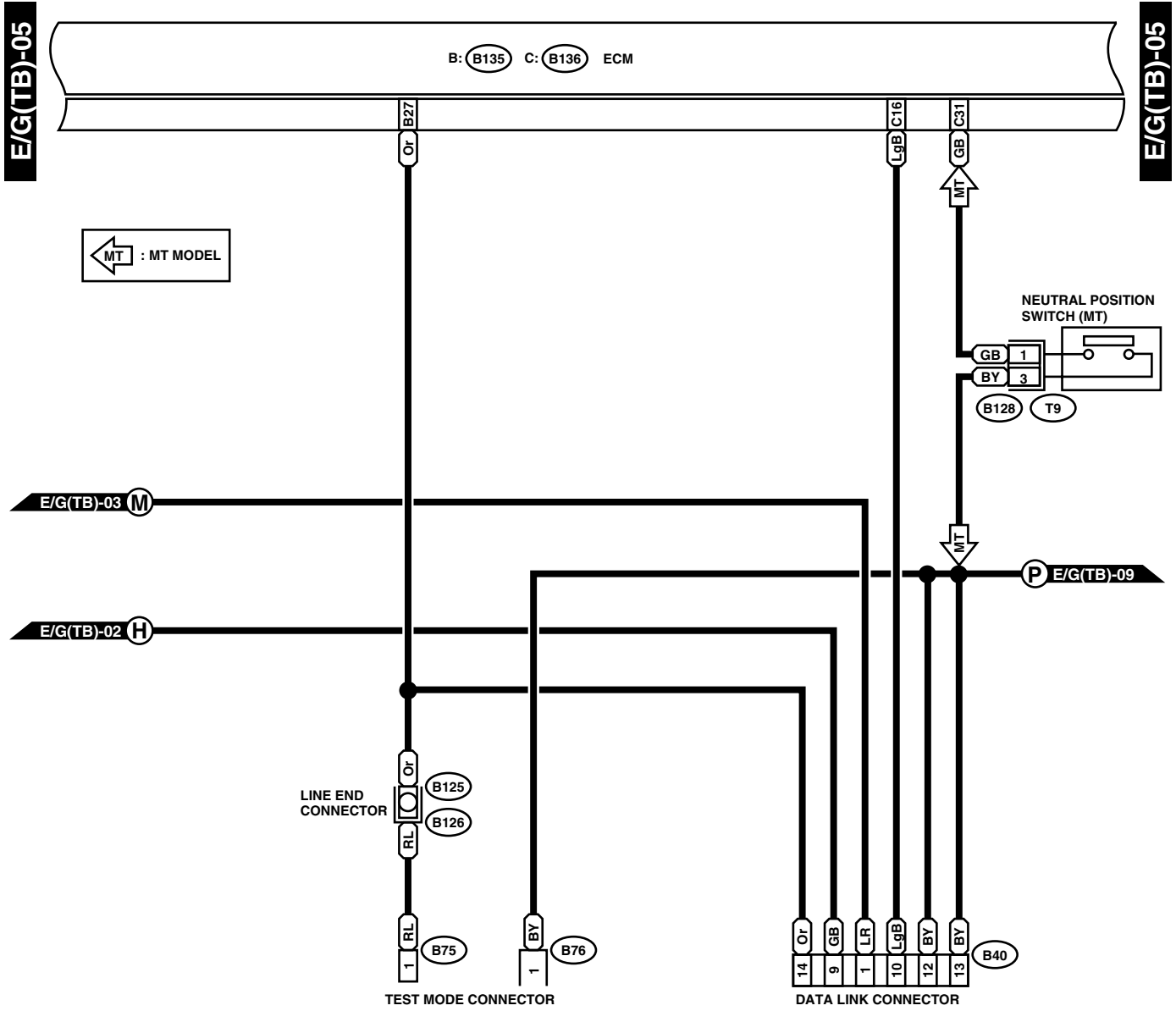
1	2	3	4	5	6	7					
8	9	10	11	12	13	14	15	16	17	18	19
20	21	22	23	24	25	26	27				
28	29	30	31	32	33	34	35				

C: (B136)

1	2	3	4	5	6					
7	8	9	10	11	12	13	14	15	16	
17	18	19	20	21	22	23	24	25	26	27
28	29	30	31	32	33	34	35			

Engine Electrical System

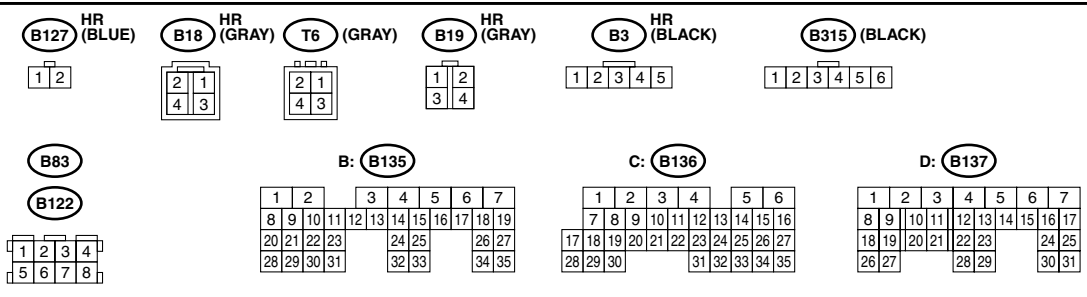
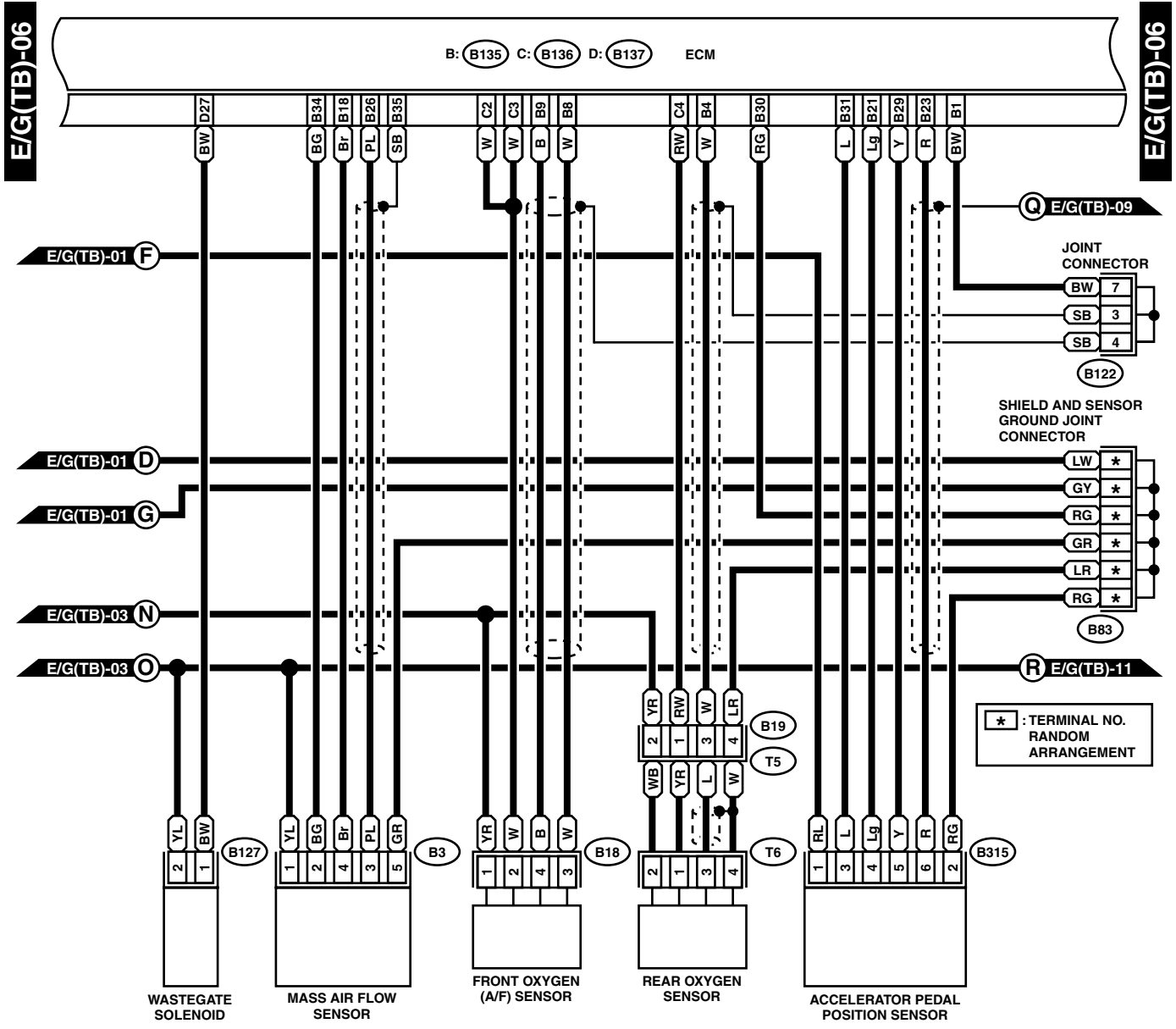
WIRING SYSTEM



WI-08888

Engine Electrical System

WIRING SYSTEM



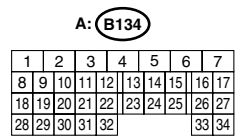
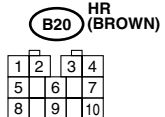
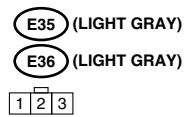
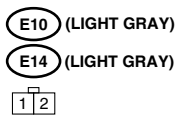
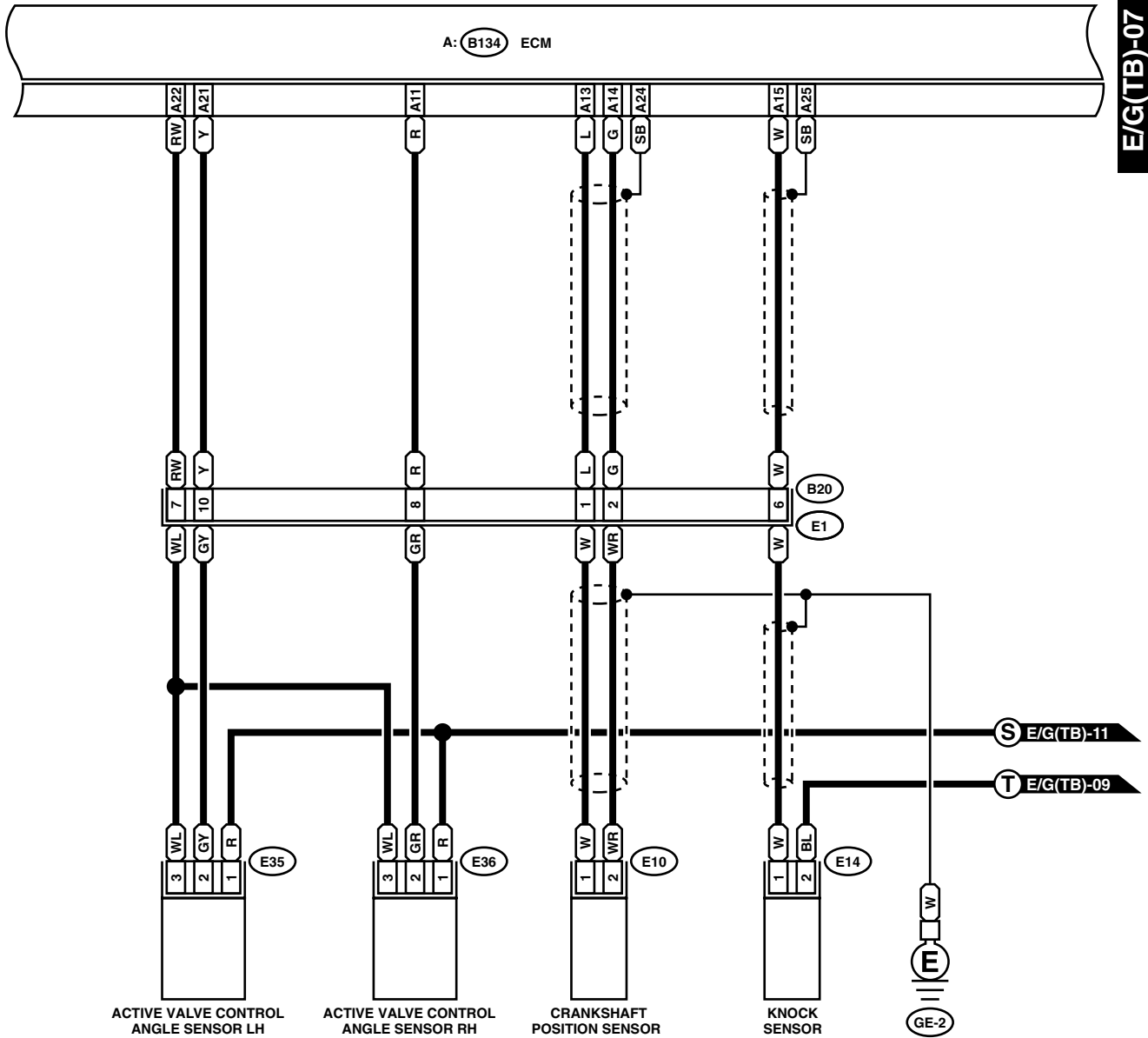
WI-08889

Engine Electrical System

WIRING SYSTEM

E/G(TB)-07

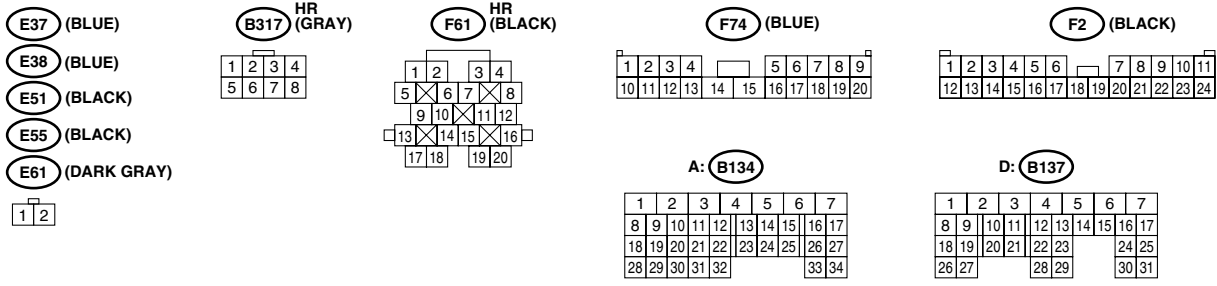
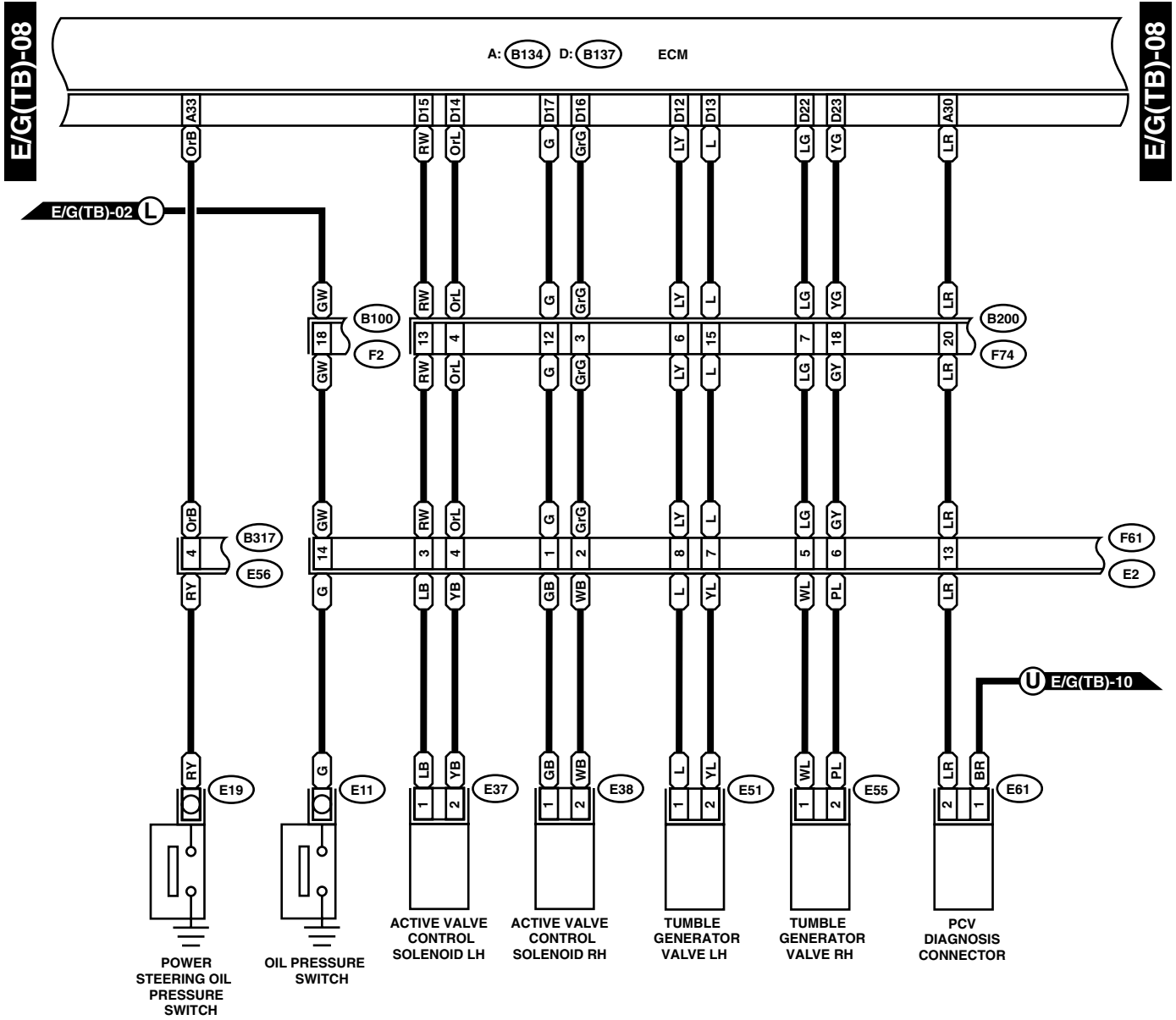
E/G(TB)-07



WI-08890

Engine Electrical System

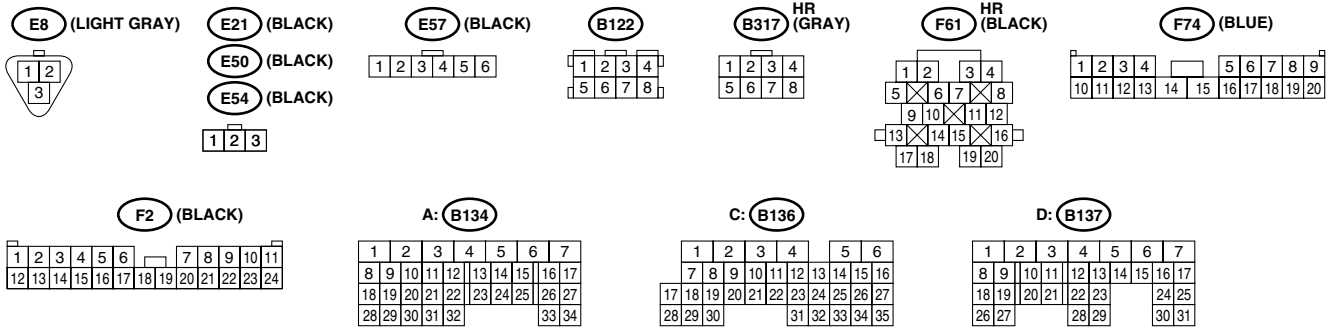
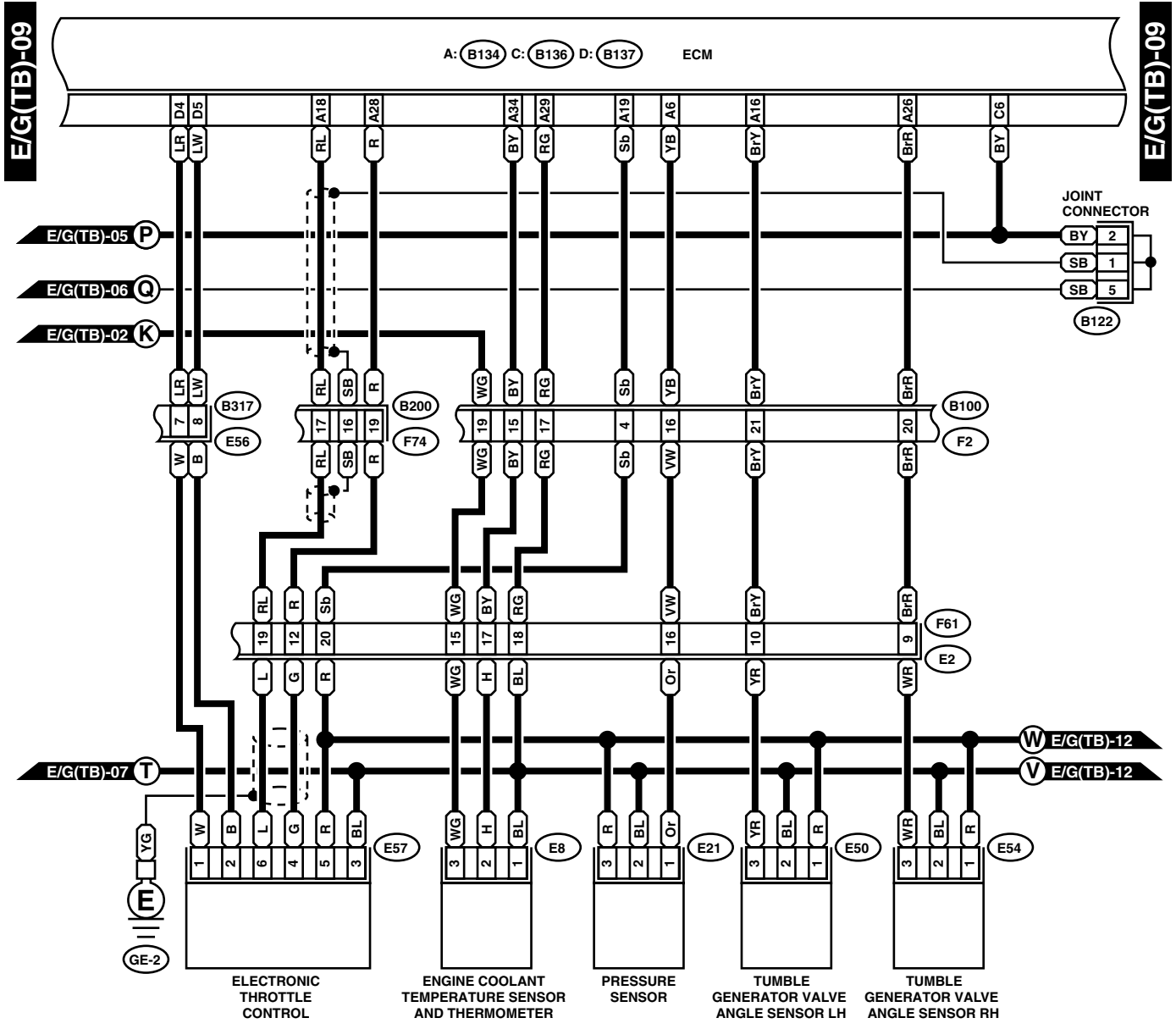
WIRING SYSTEM



WI-08891

Engine Electrical System

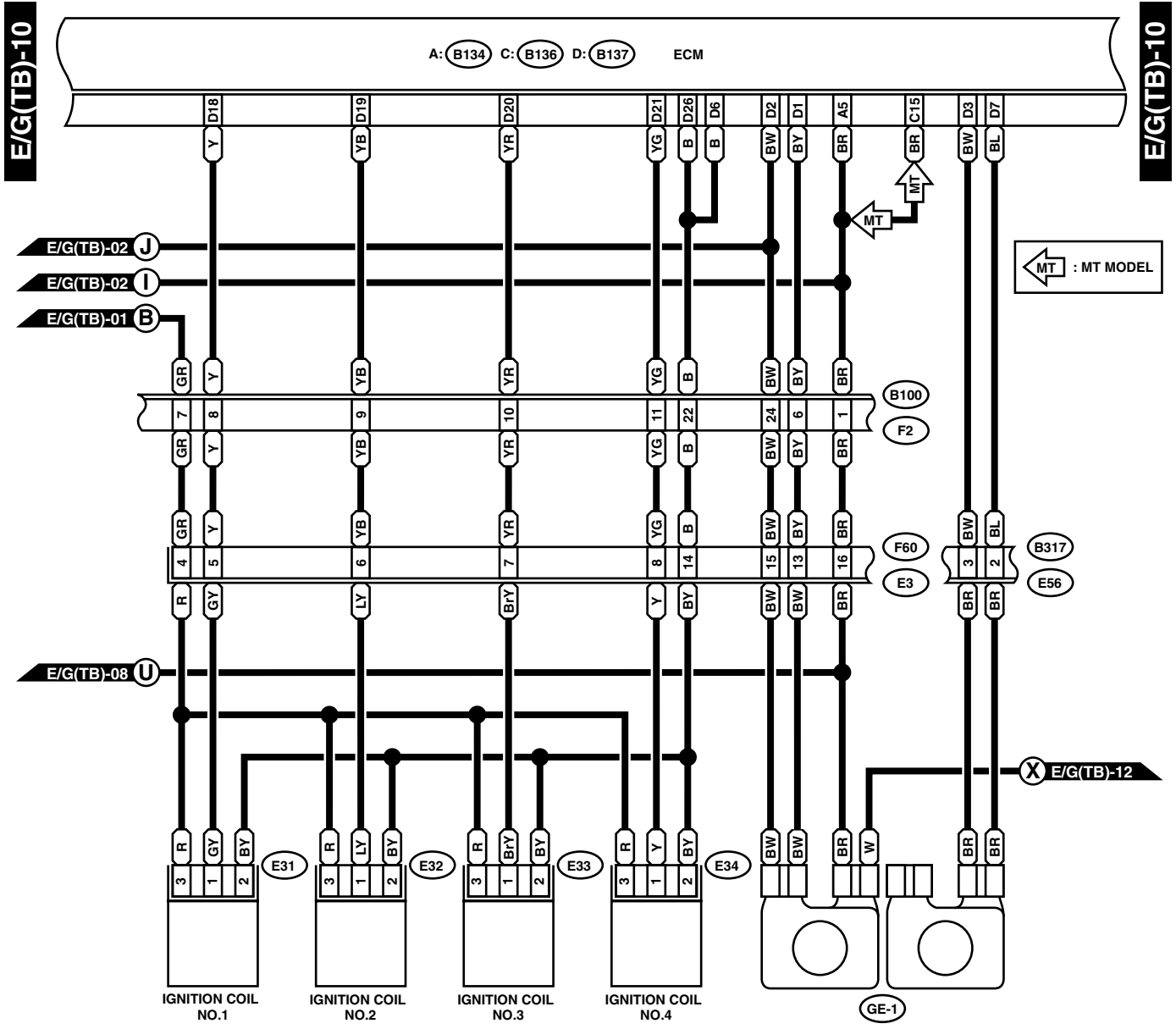
WIRING SYSTEM



WI-08892

Engine Electrical System

WIRING SYSTEM

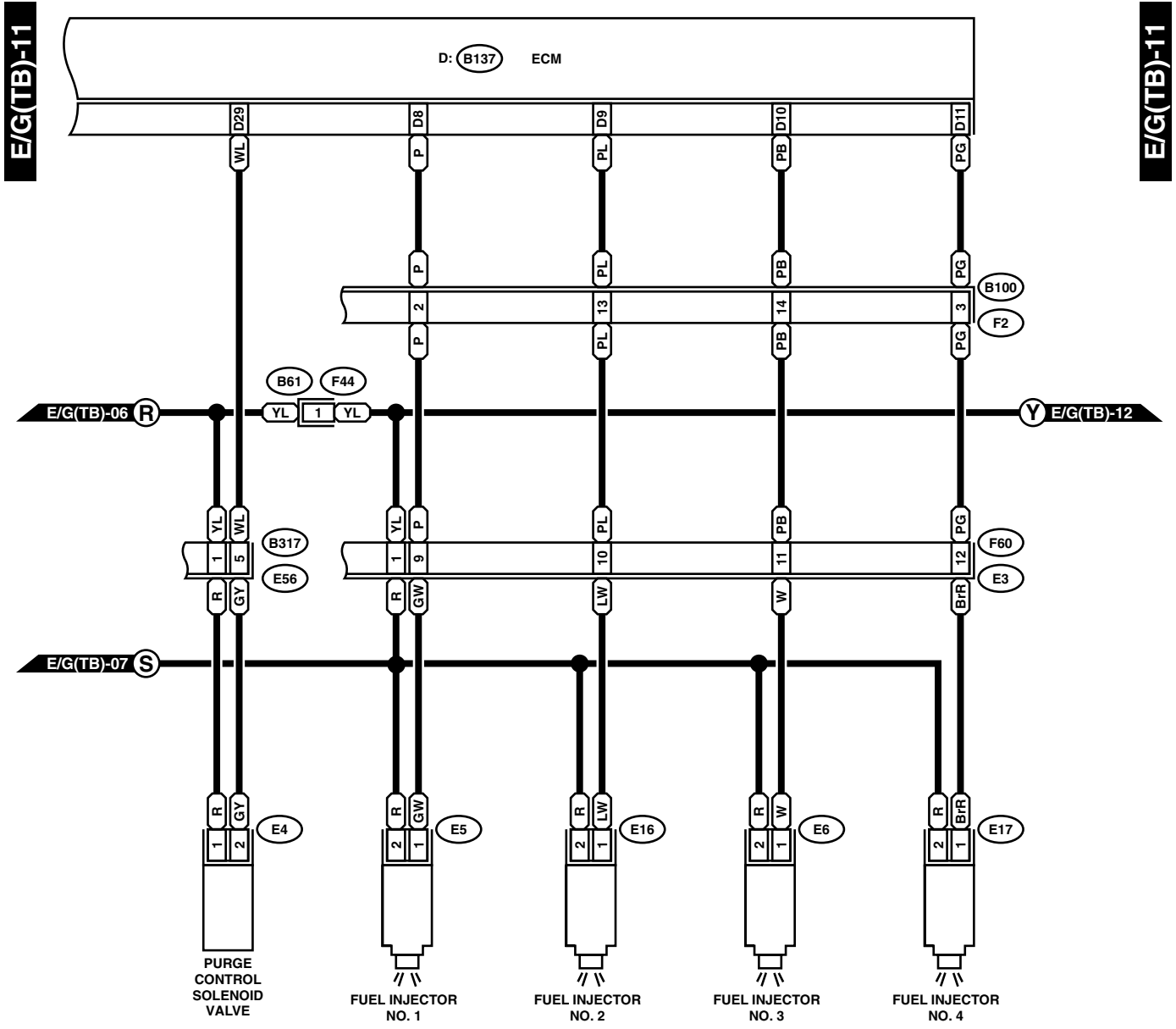


E31 (WHITE)	B317 (GRAY)	F60 (BROWN)	F2 (BLACK)
E32 (WHITE)	1 2 3 4 5 6 7 8	1 2 3 4 5 6 7 8	1 2 3 4 5 6 7 8 9 10 11 12 13 14 15 16 17 18 19 20 21 22 23 24
E33 (BLACK)	9 10 11 12 13 14 15 16		
E34 (BLACK)			
1 2 3	A: B134	C: B136	D: B137
	1 2 3 4 5 6 7 8 9 10 11 12 13 14 15 16 17 18 19 20 21 22 23 24 25 26 27 28 29 30 31 32 33 34	1 2 3 4 5 6 7 8 9 10 11 12 13 14 15 16 17 18 19 20 21 22 23 24 25 26 27 28 29 30 31 32 33 34 35	1 2 3 4 5 6 7 8 9 10 11 12 13 14 15 16 17 18 19 20 21 22 23 24 25 26 27 28 29 30 31

WI-08893

Engine Electrical System

WIRING SYSTEM



- (E5) (DARK GRAY)
 - (E6) (DARK GRAY)
 - (E16) (DARK GRAY)
 - (E17) (DARK GRAY)
- | | |
|---|---|
| 1 | 2 |
|---|---|

- (E4) (BLACK)
- | | |
|---|---|
| 1 | 2 |
|---|---|

- (F44) HR (GRAY)
 - (B317) HR (GRAY)
- | | | | |
|---|---|---|---|
| 1 | 2 | 3 | 4 |
| 5 | 6 | 7 | 8 |

- (F60) HR (BROWN)
- | | | | |
|----|----|----|----|
| 1 | 2 | 3 | 4 |
| 5 | 6 | 7 | 8 |
| 9 | 10 | 11 | 12 |
| 13 | 14 | 15 | 16 |

- (F2) (BLACK)
- | | | | | | | | | | | | | |
|----|----|----|----|----|----|----|----|----|----|----|----|----|
| 1 | 2 | 3 | 4 | 5 | 6 | 7 | 8 | 9 | 10 | 11 | | |
| 12 | 13 | 14 | 15 | 16 | 17 | 18 | 19 | 20 | 21 | 22 | 23 | 24 |

D: (B137)

1	2	3	4	5	6	7			
8	9	10	11	12	13	14	15	16	17
18	19	20	21	22	23	24	25		
26	27		28	29	30	31			

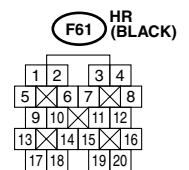
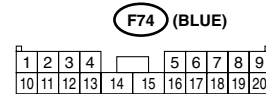
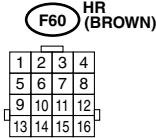
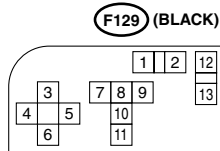
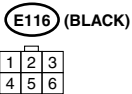
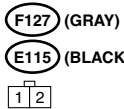
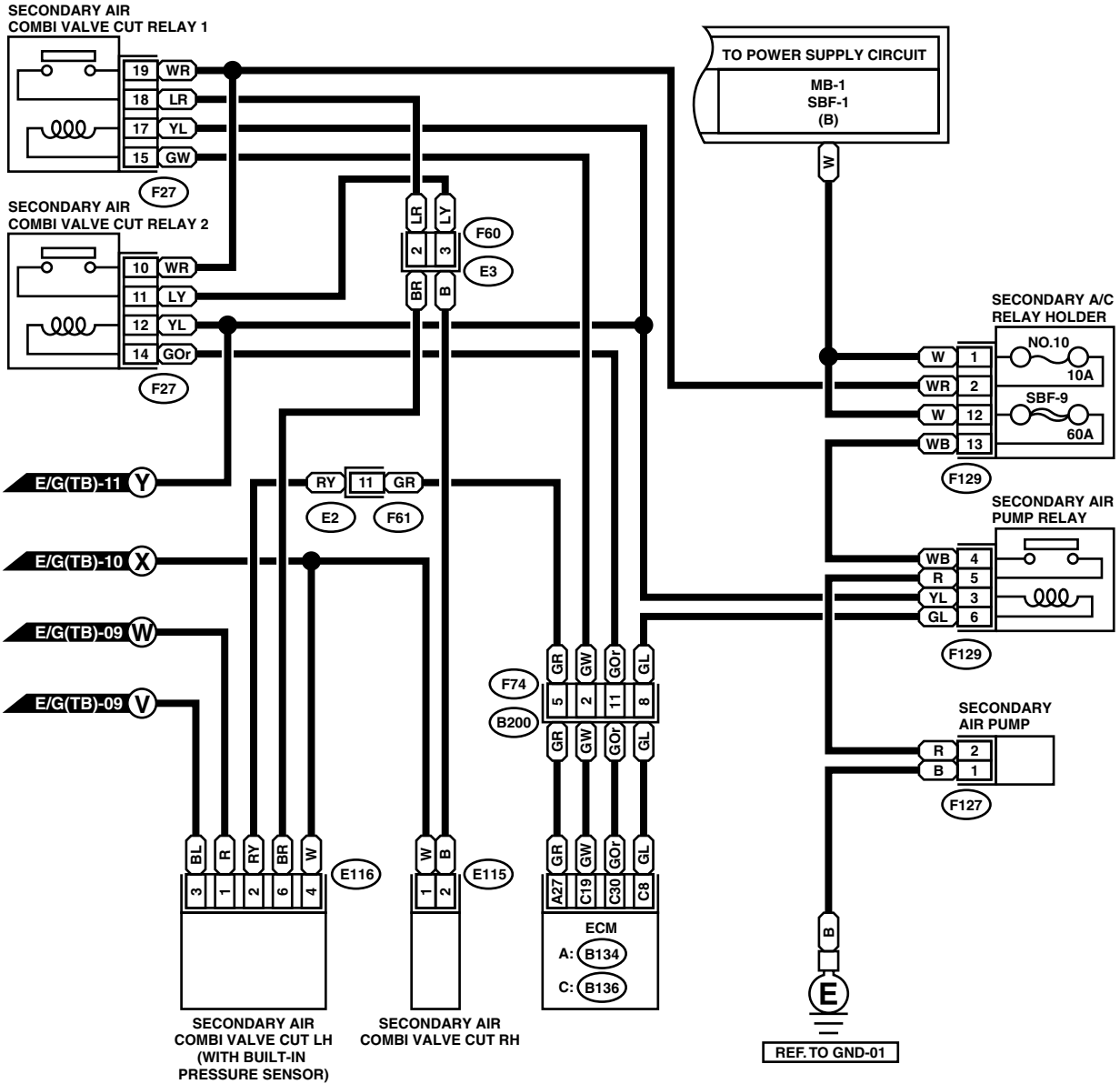
WI-08894

Engine Electrical System

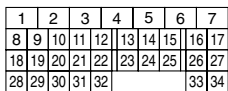
WIRING SYSTEM

E/G(TB)-12

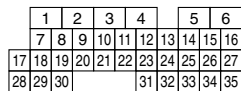
E/G(TB)-12



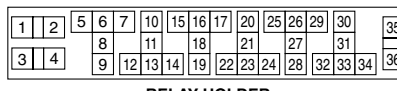
A: B134



C: B136



F27 (BLACK)



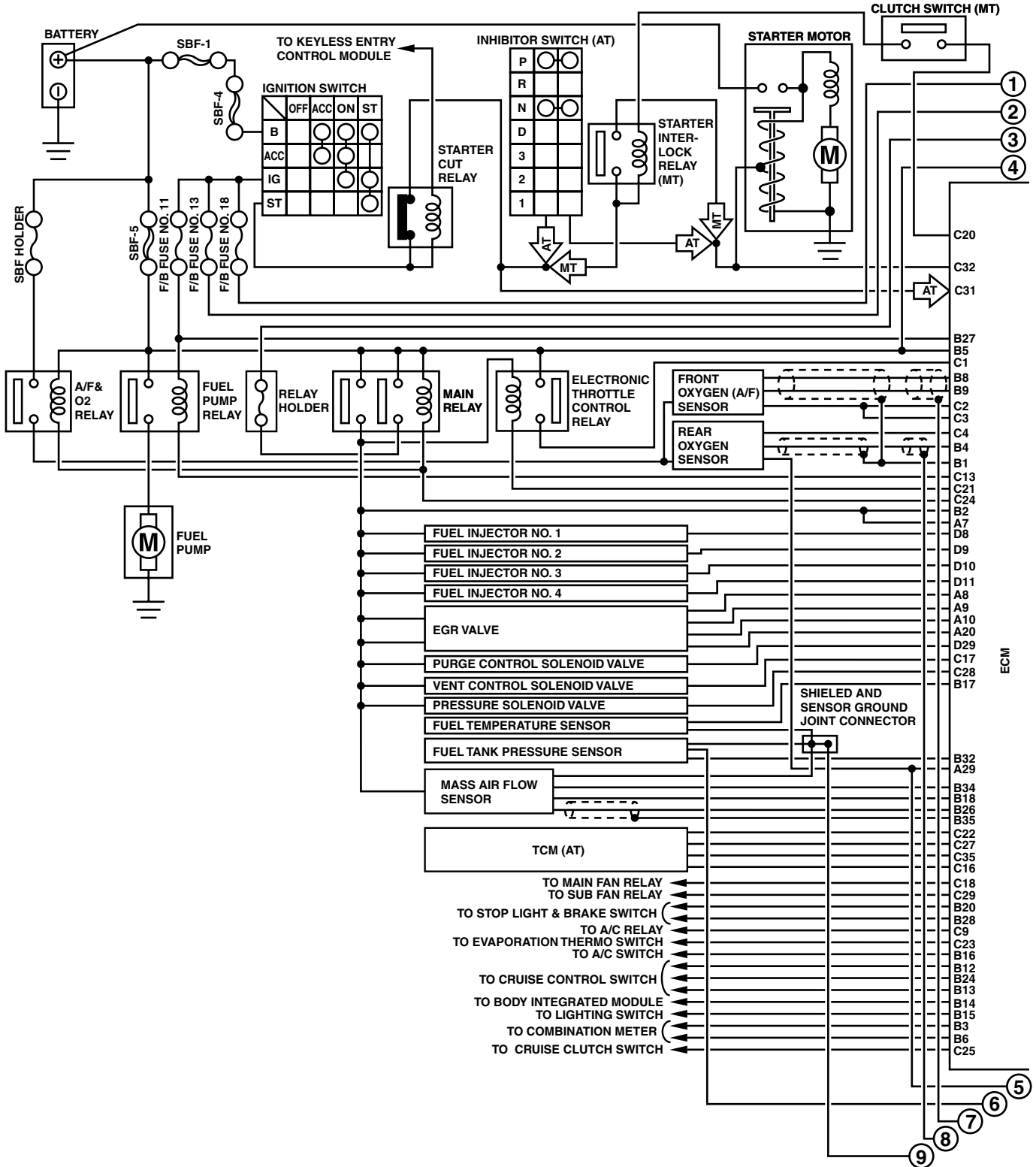
RELAY HOLDER

WI-09174

Engine Electrical System

WIRING SYSTEM

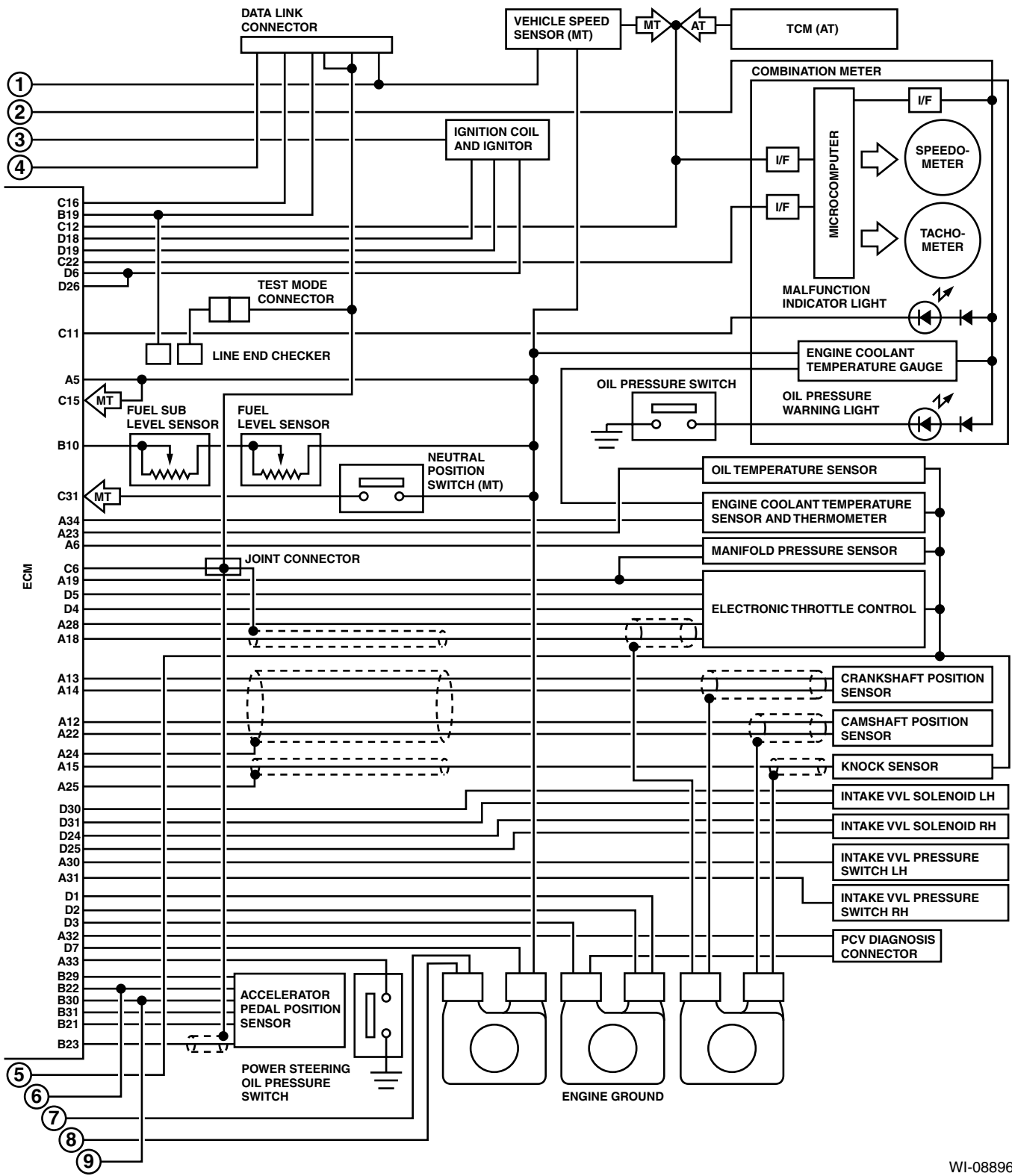
2. NON-TURBO MODEL



WI-08895

Engine Electrical System

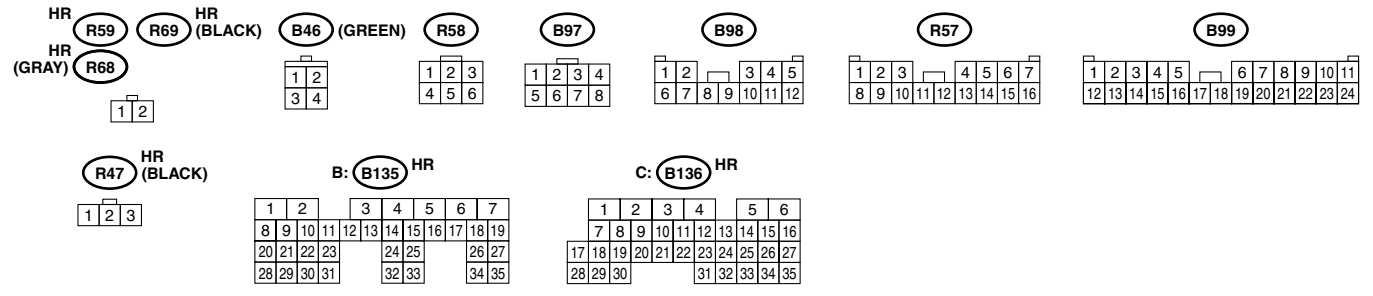
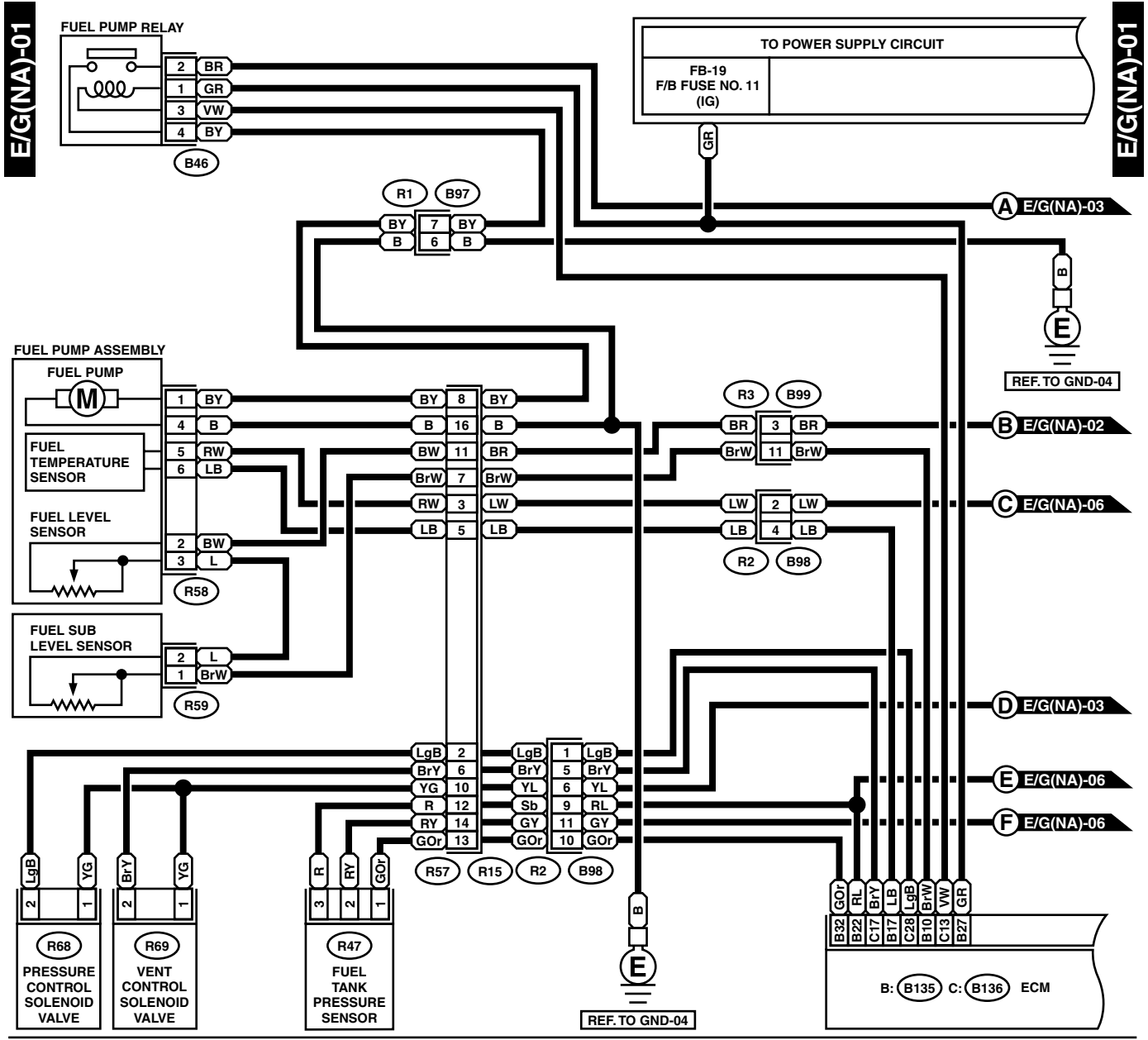
WIRING SYSTEM



WI-08896

Engine Electrical System

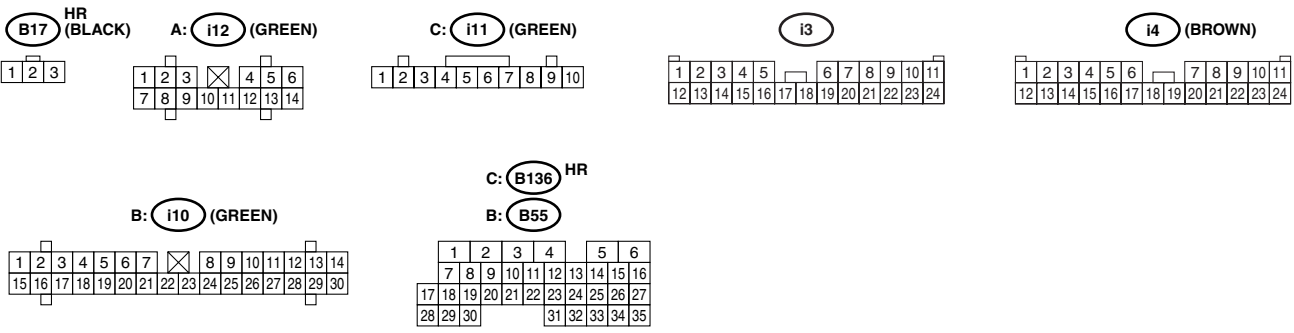
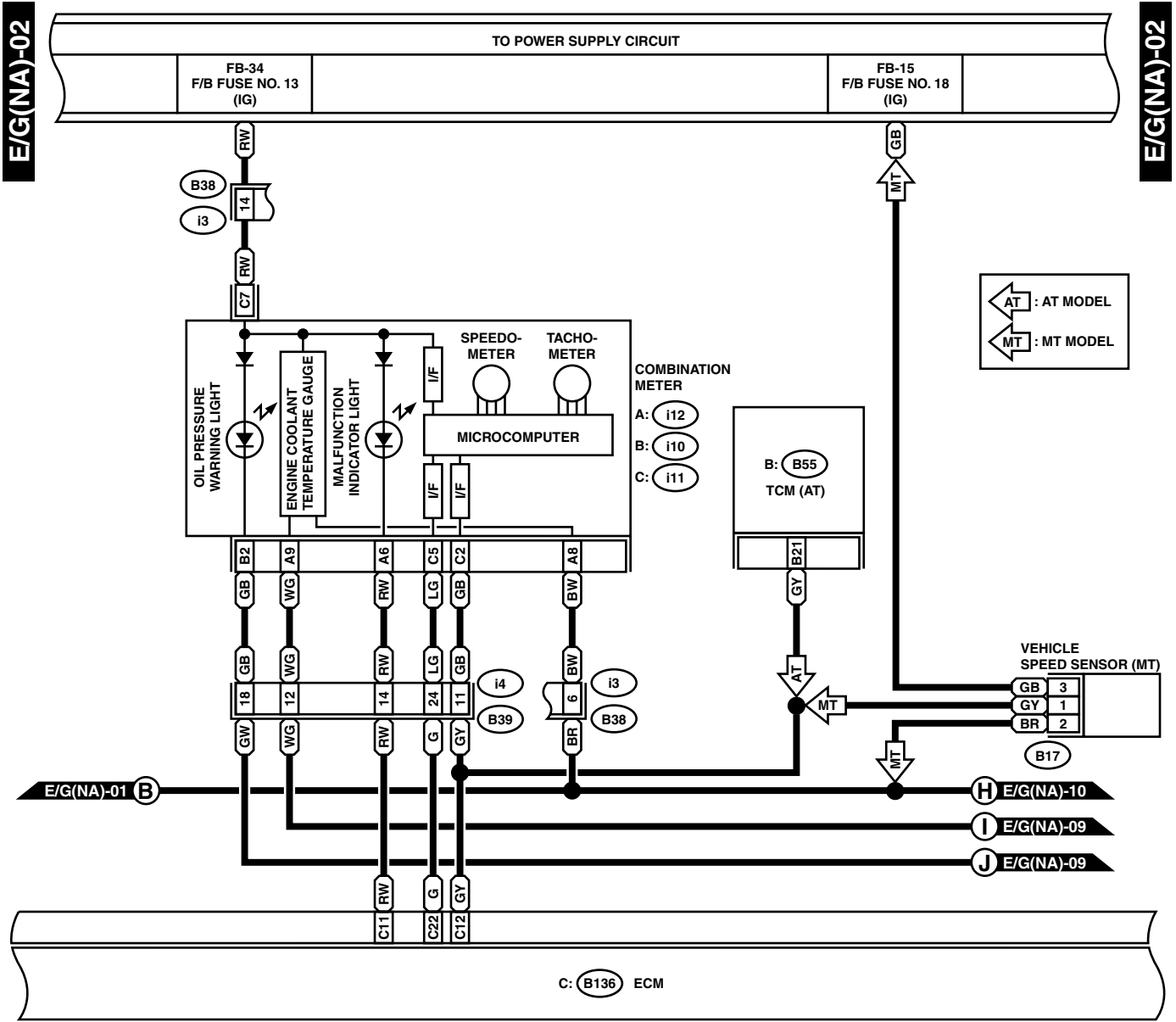
WIRING SYSTEM



WI-10507

Engine Electrical System

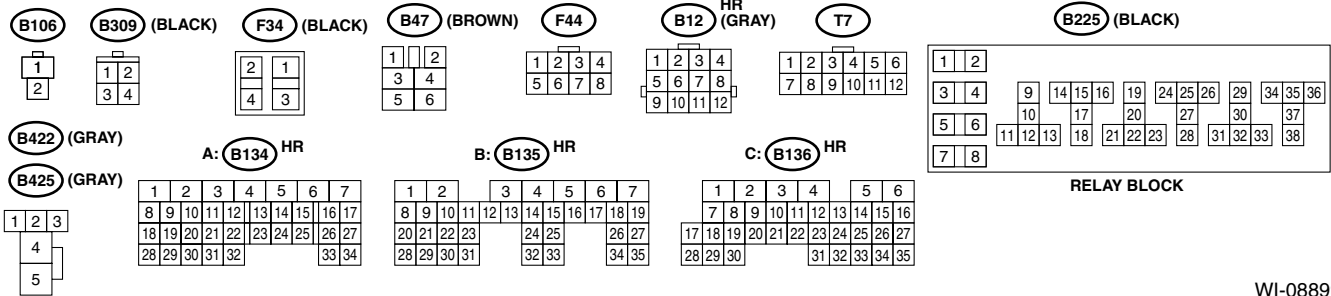
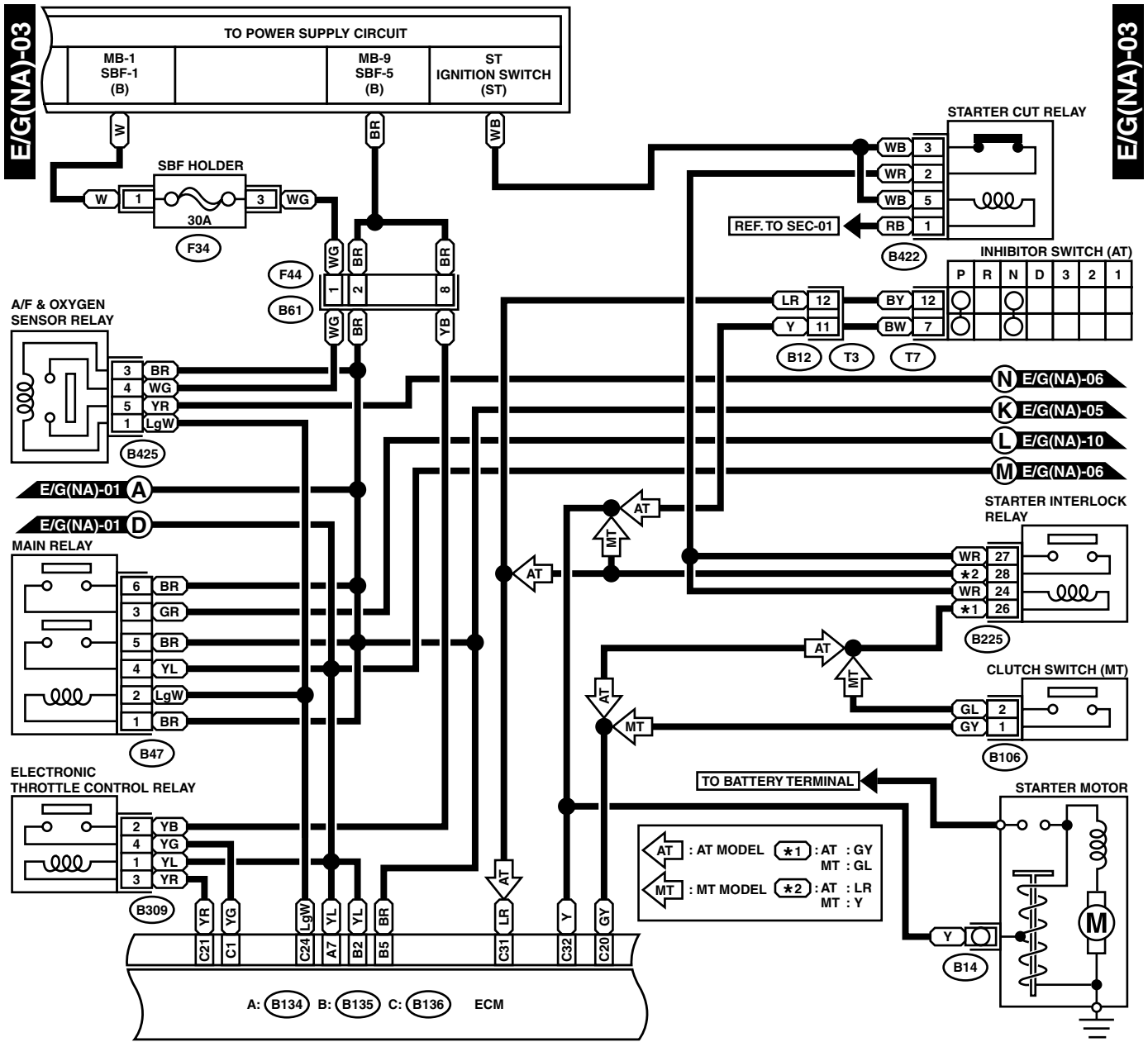
WIRING SYSTEM



WI-08898

Engine Electrical System

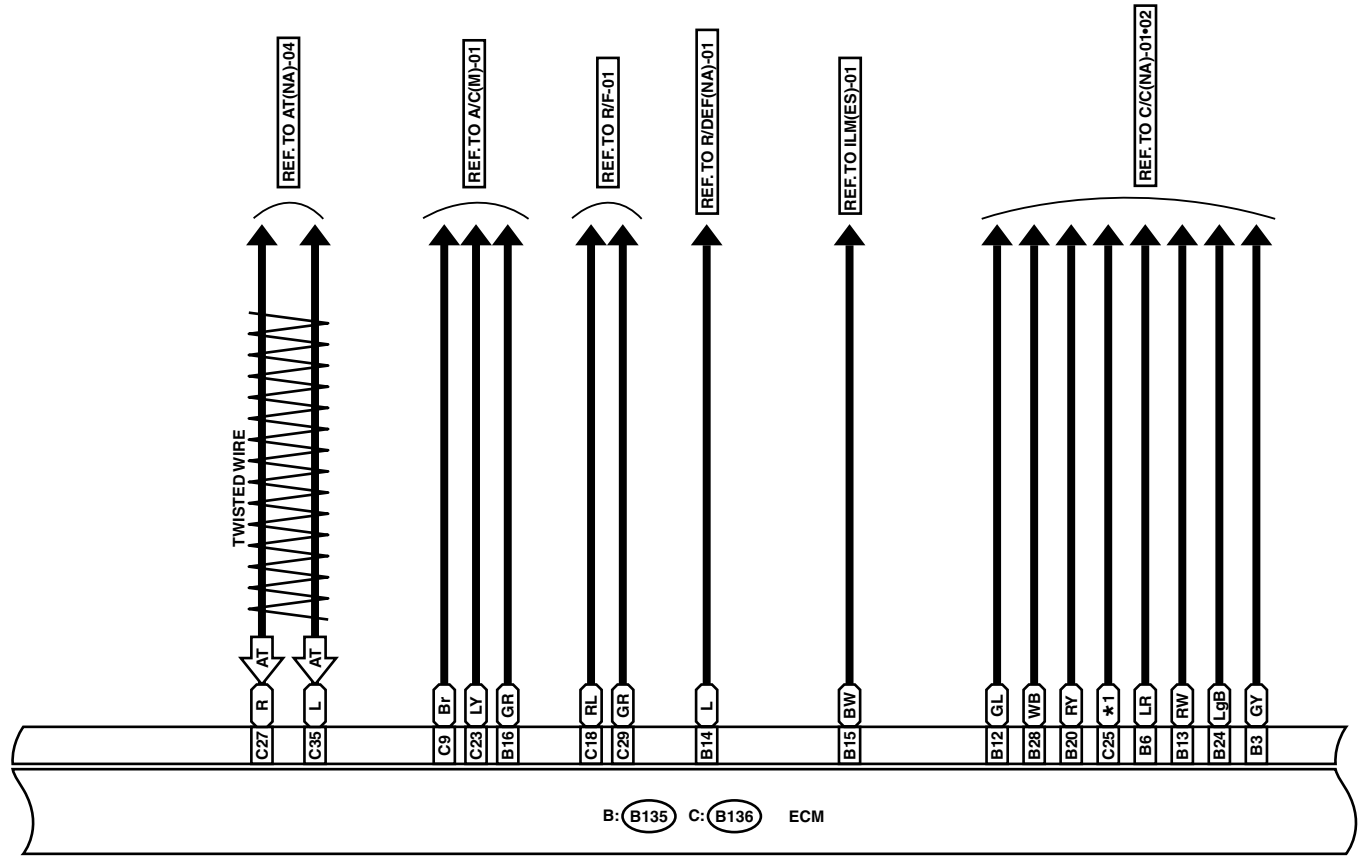
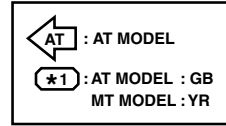
WIRING SYSTEM



WI-08899

E/G(NA)-04

E/G(NA)-04



B: (B135) HR

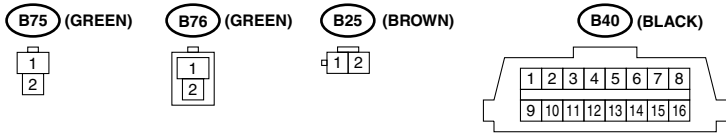
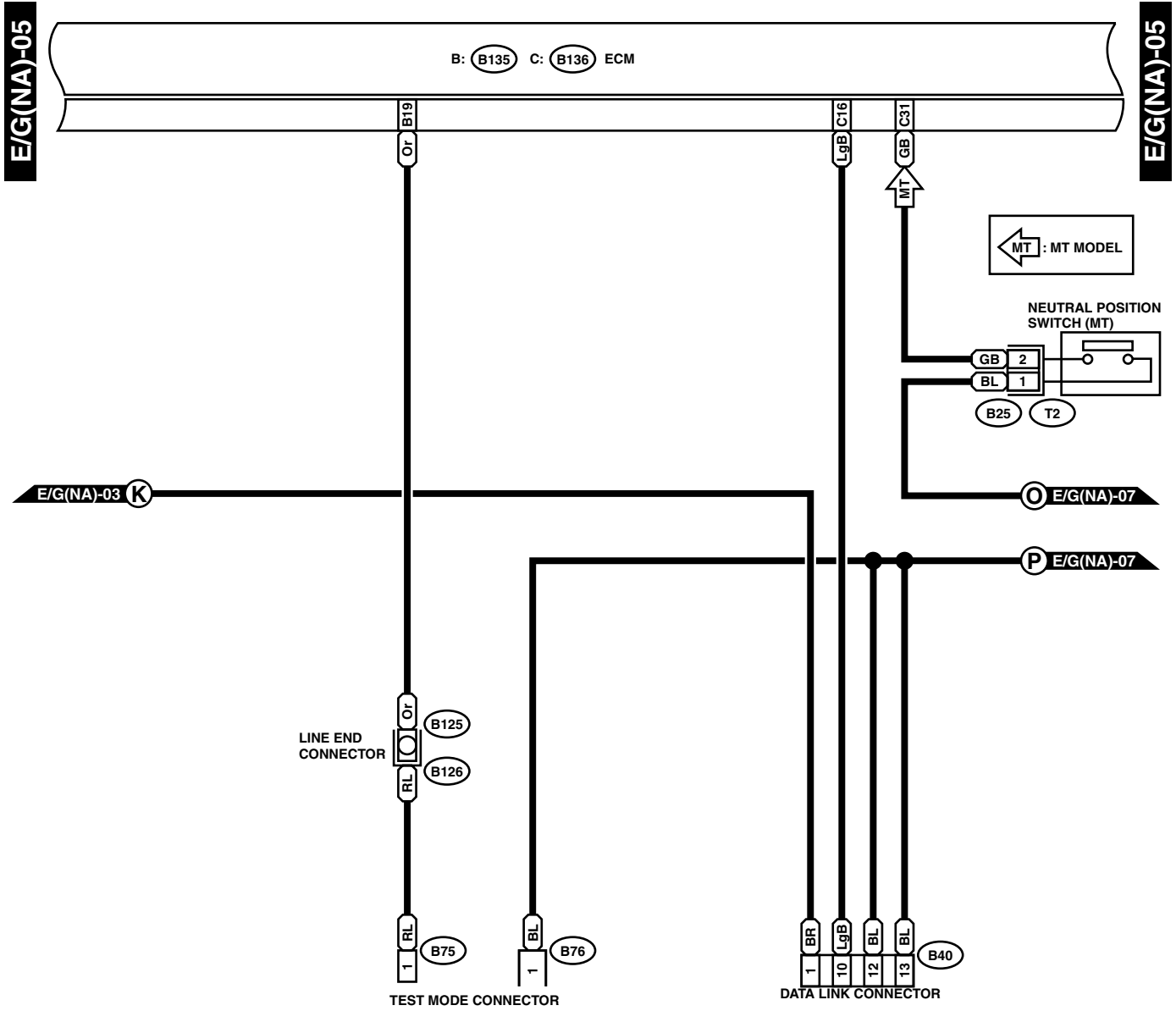
1	2	3	4	5	6	7
8	9	10	11	12	13	14
15	16	17	18	19		
20	21	22	23	24	25	26
27	28	29	30	31	32	33
					34	35

C: (B136) HR

1	2	3	4	5	6
7	8	9	10	11	12
13	14	15	16	17	18
19	20	21	22	23	24
25	26	27			
28	29	30	31	32	33
					34
					35

Engine Electrical System

WIRING SYSTEM



B: B135 HR

1	2	3	4	5	6	7					
8	9	10	11	12	13	14	15	16	17	18	19
20	21	22	23	24	25	26	27				
28	29	30	31	32	33	34	35				

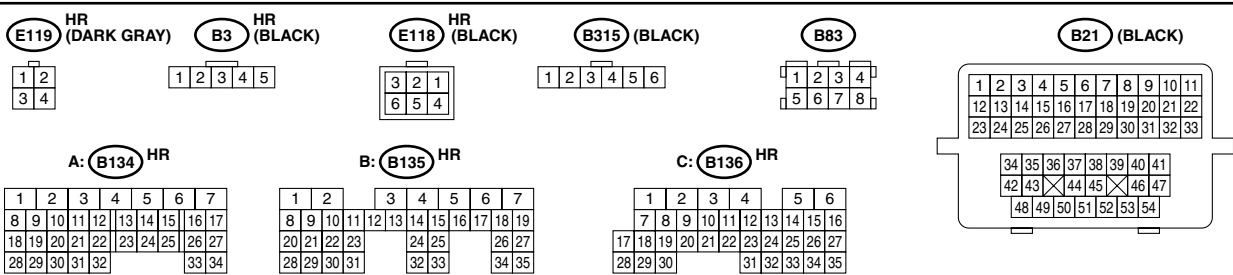
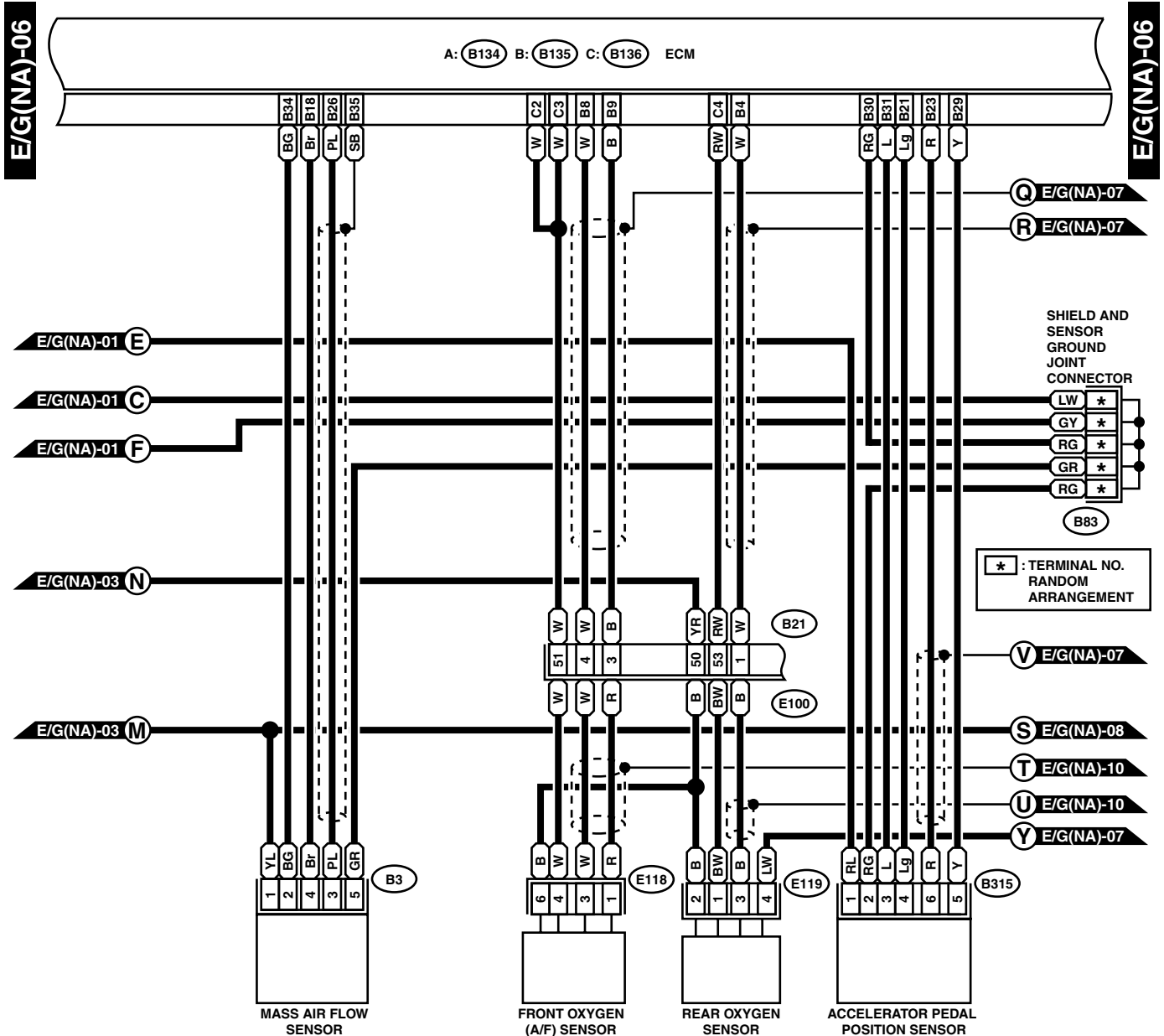
C: B136 HR

1	2	3	4	5	6					
7	8	9	10	11	12	13	14	15	16	
17	18	19	20	21	22	23	24	25	26	27
28	29	30	31	32	33	34	35			

WI-08901

Engine Electrical System

WIRING SYSTEM



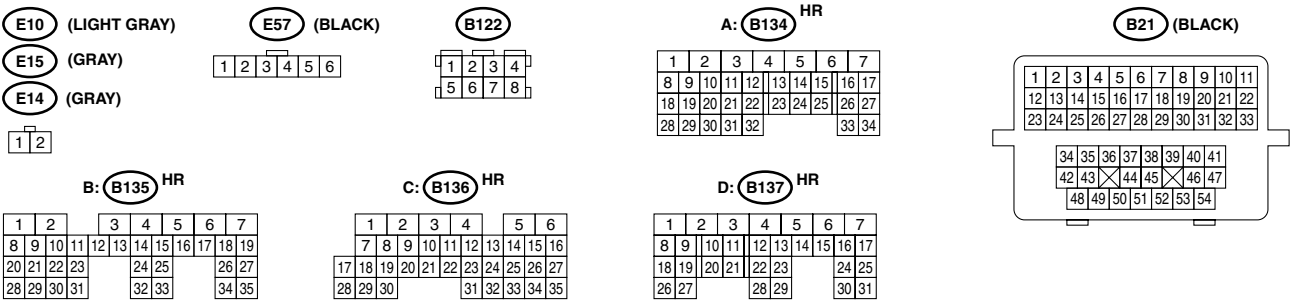
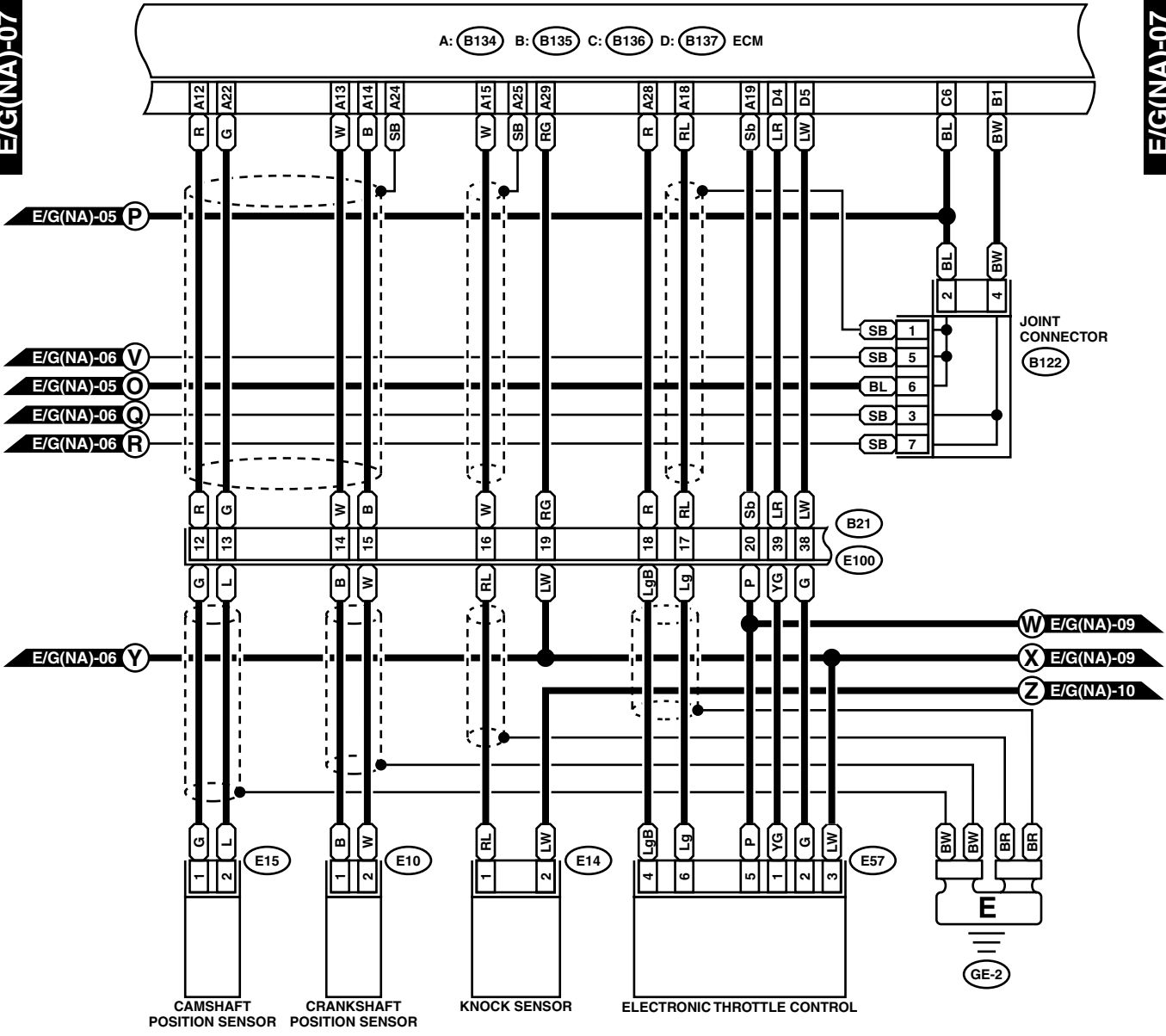
WI-08902

Engine Electrical System

WIRING SYSTEM

E/G(NA)-07

E/G(NA)-07



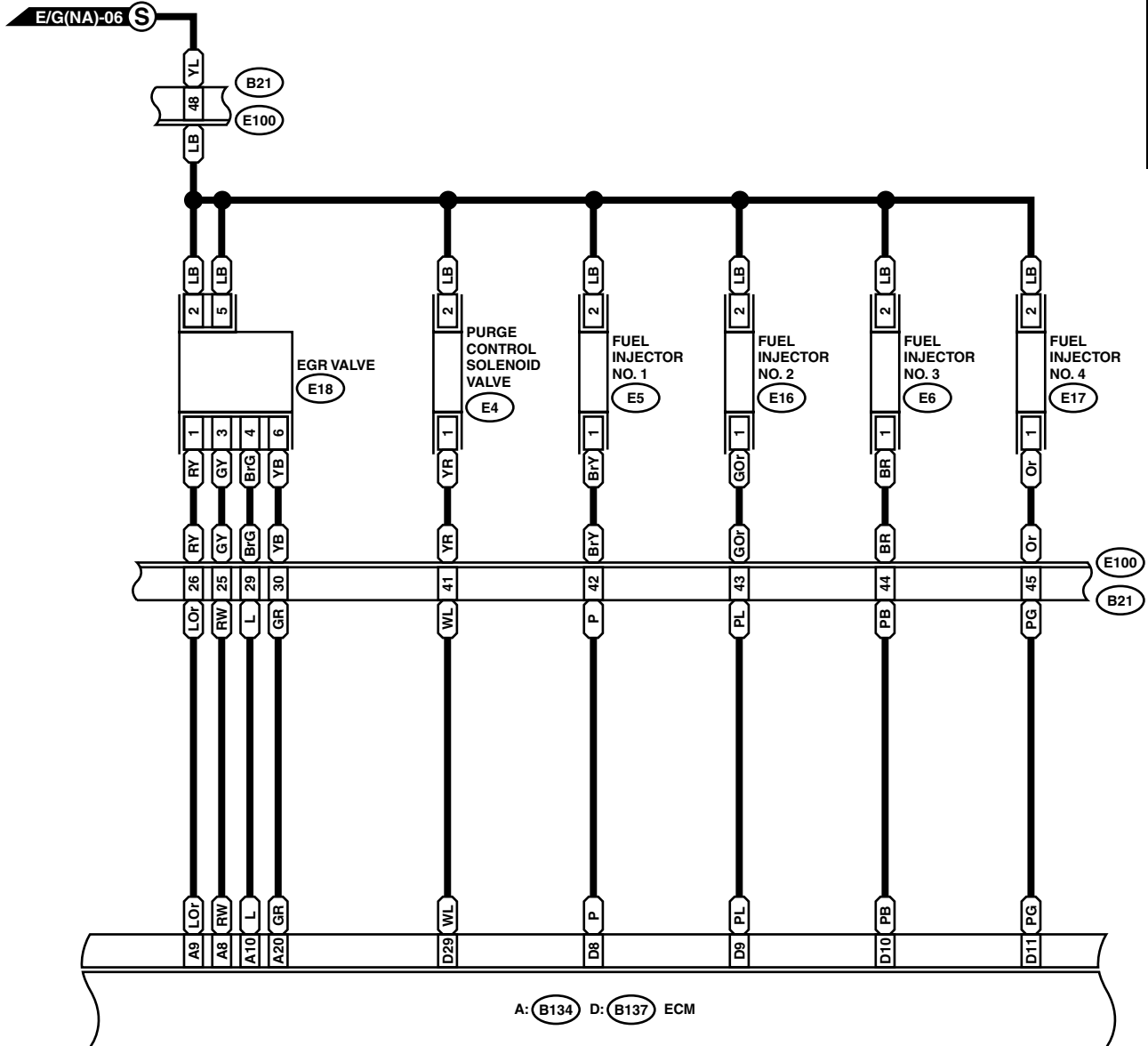
WI-08903

Engine Electrical System

WIRING SYSTEM

E/G(NA)-08

E/G(NA)-08



- E5 (DARK GRAY)
- E6 (DARK GRAY)
- E16 (DARK GRAY)
- E17 (DARK GRAY)

- E4 (BLACK)
- 1 2

- E18 (DARK GRAY)
- 1 2 3
4 5 6

- B21 (BLACK)

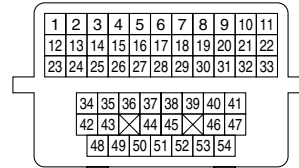


A: B134 HR

1	2	3	4	5	6	7
8	9	10	11	12	13	14
15	16	17	18	19	20	21
22	23	24	25	26	27	28
29	30	31	32	33	34	

D: B137 HR

1	2	3	4	5	6	7
8	9	10	11	12	13	14
15	16	17	18	19	20	21
22	23	24	25	26	27	28
29	30	31	32	33	34	



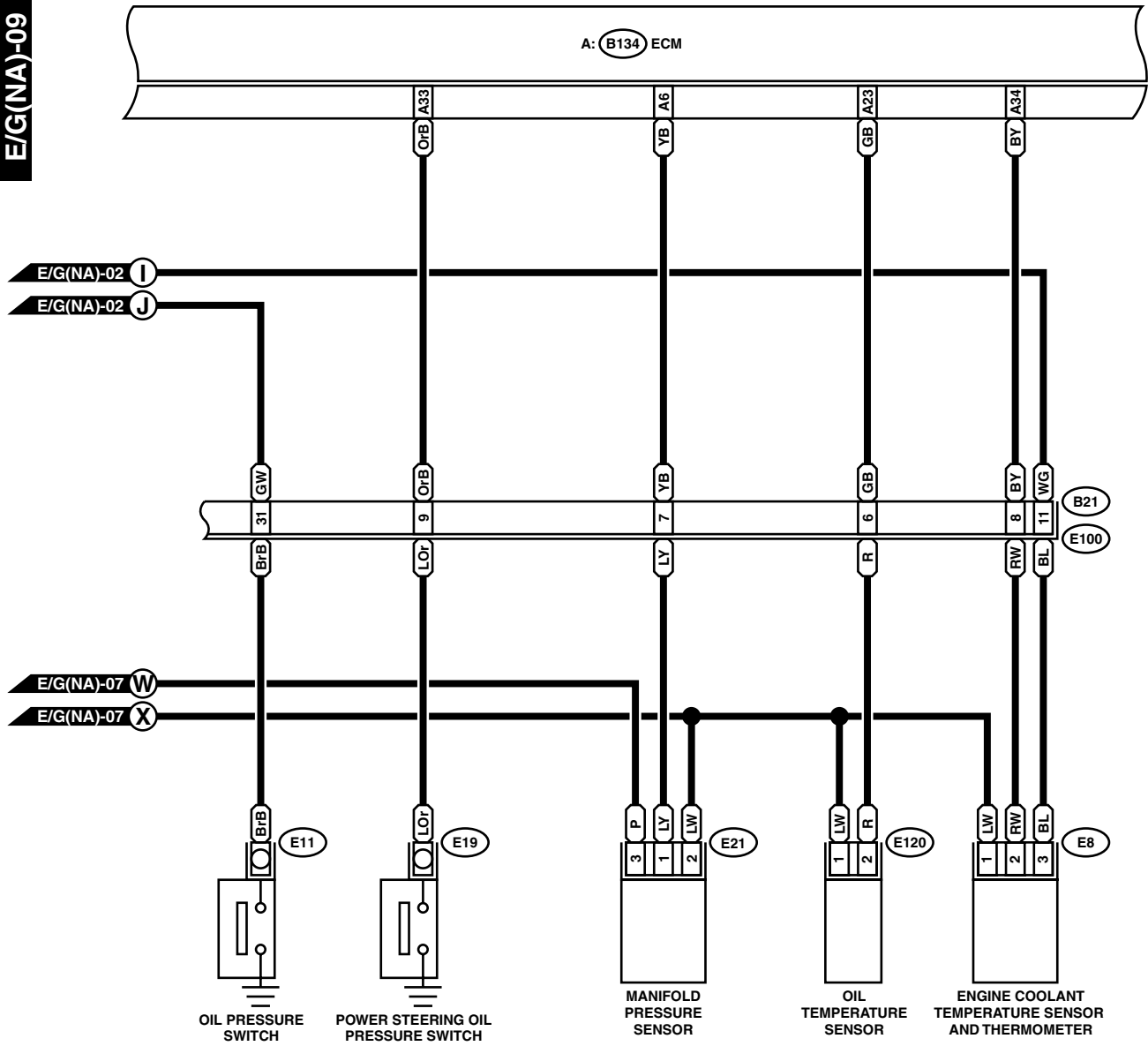
WI-08904

Engine Electrical System

WIRING SYSTEM

E/G(NA)-09

E/G(NA)-09



E120 (BLACK)



E8 (LIGHT GRAY)



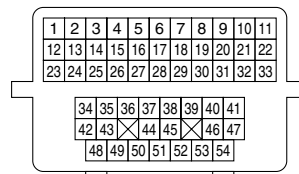
E21 (BLACK)



A: B134 HR

1	2	3	4	5	6	7			
8	9	10	11	12	13	14	15	16	17
18	19	20	21	22	23	24	25	26	27
28	29	30	31	32				33	34

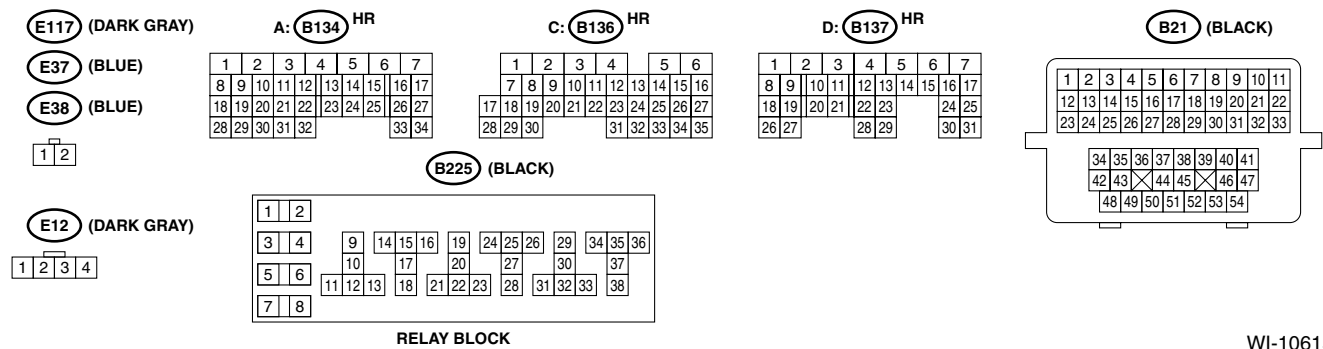
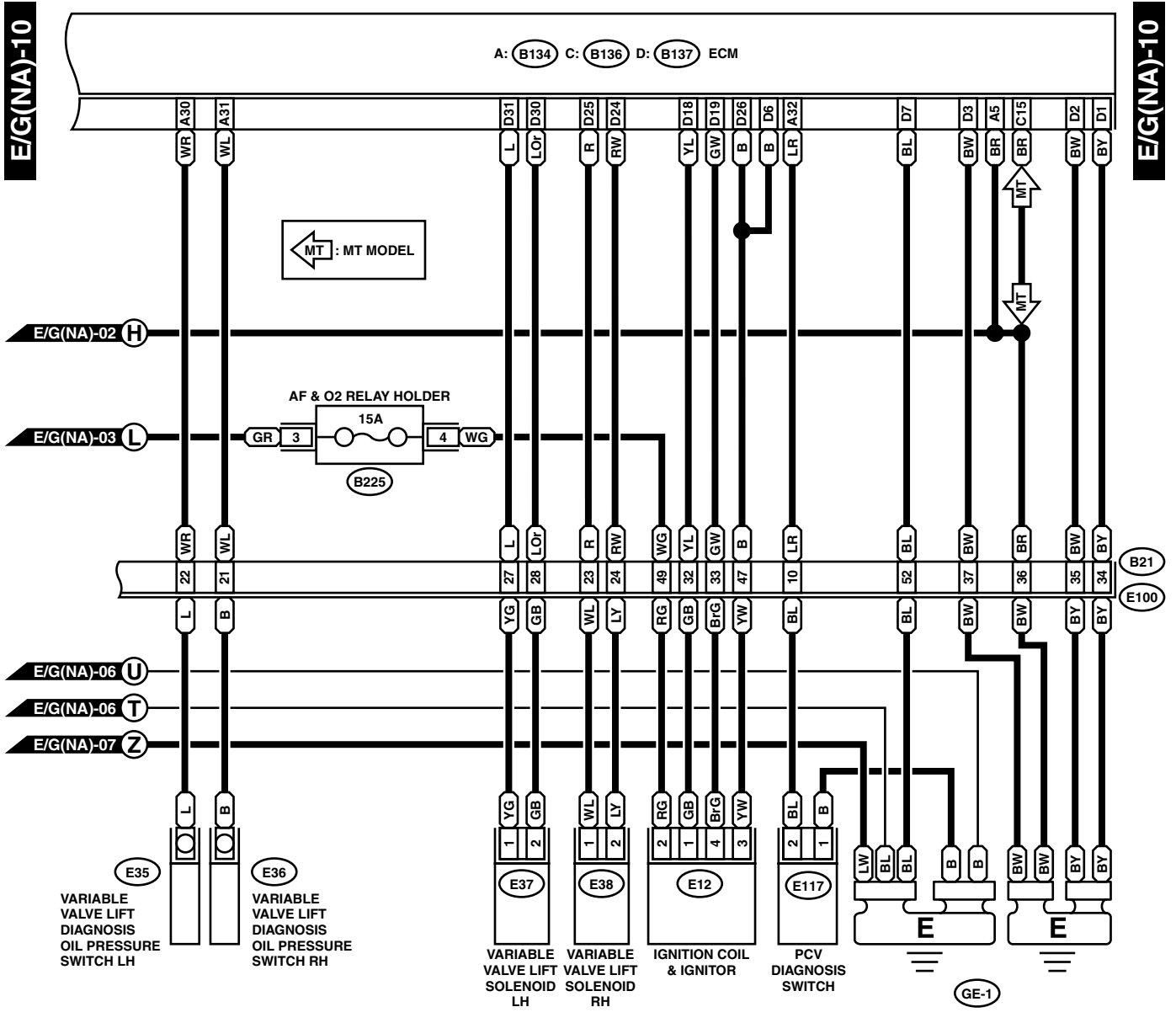
B21 (BLACK)



WI-08905

Engine Electrical System

WIRING SYSTEM

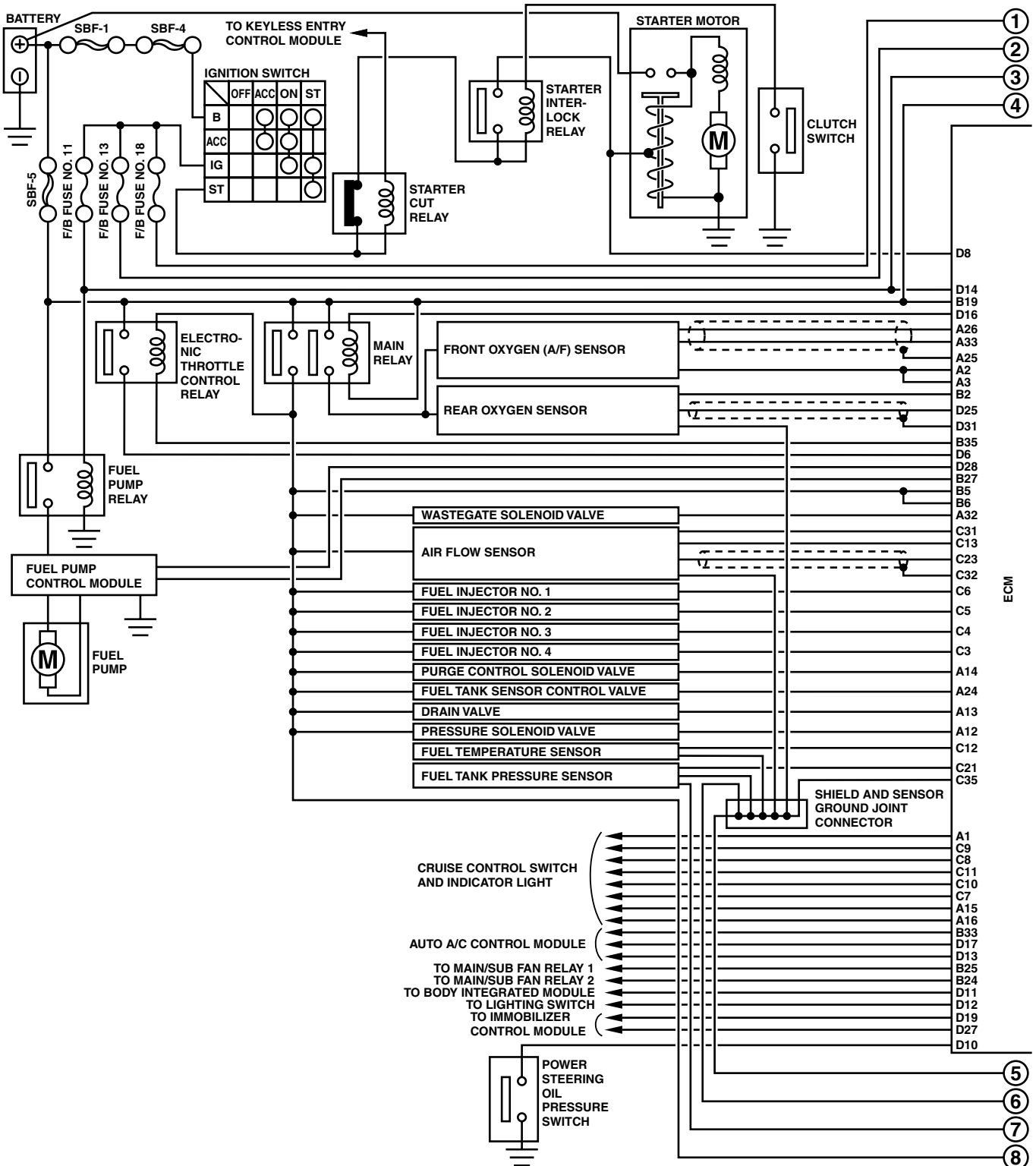


WI-10615

Engine Electrical System

WIRING SYSTEM

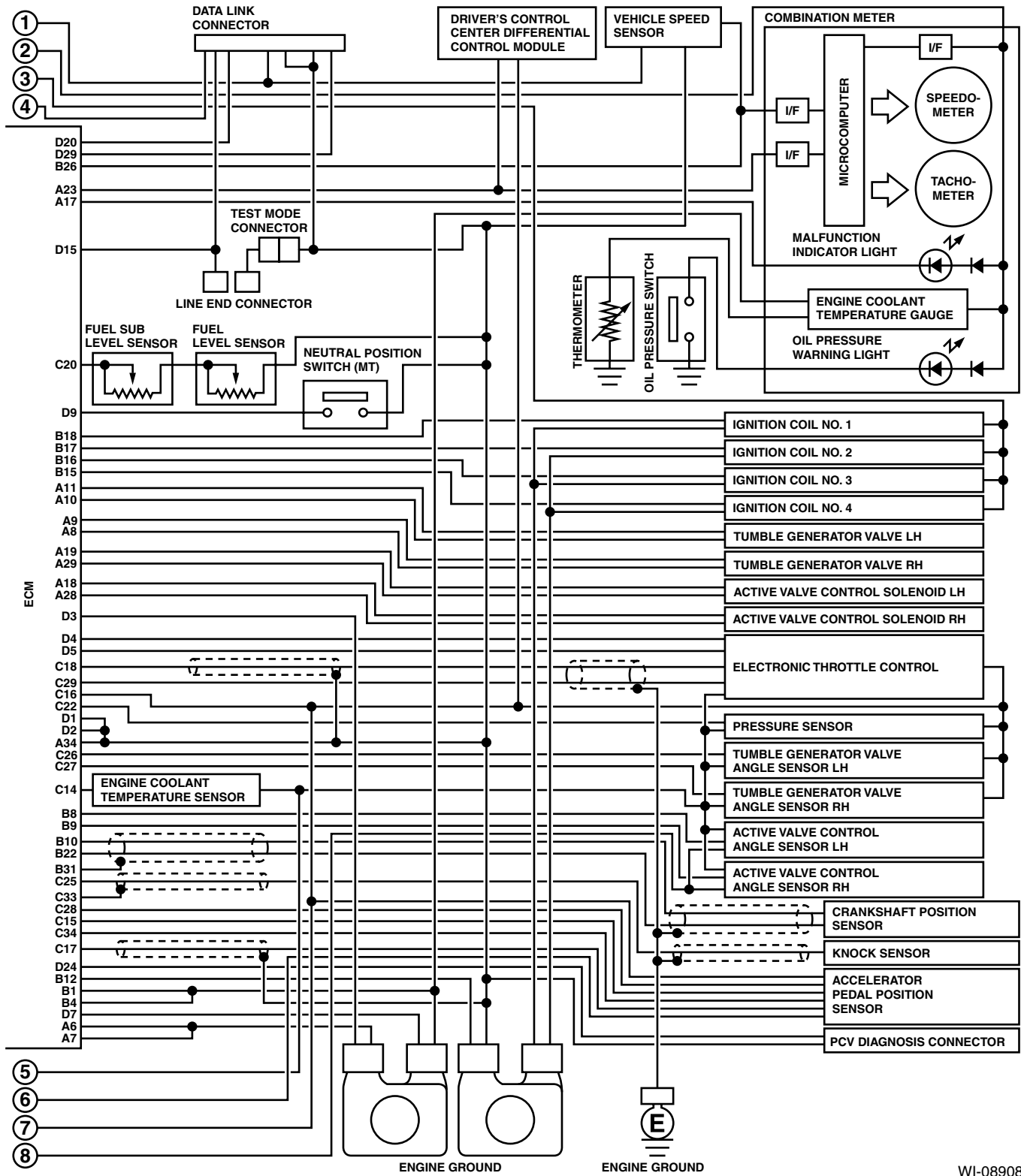
3. STI MODEL



WI-08907

Engine Electrical System

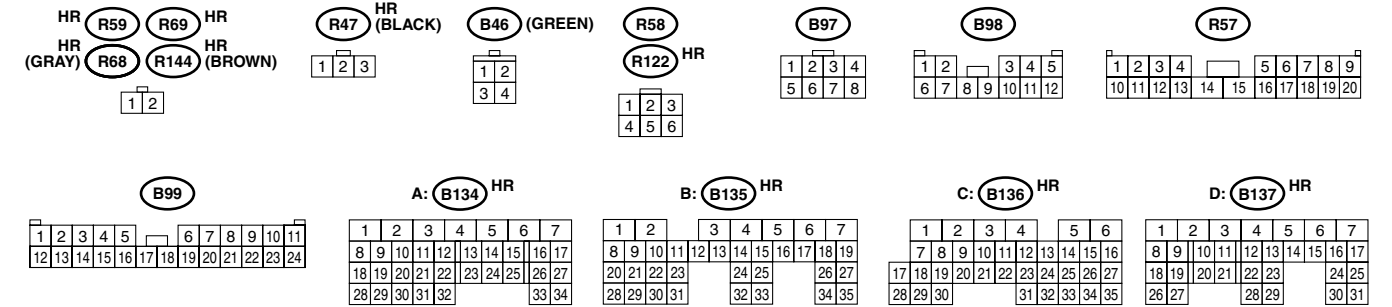
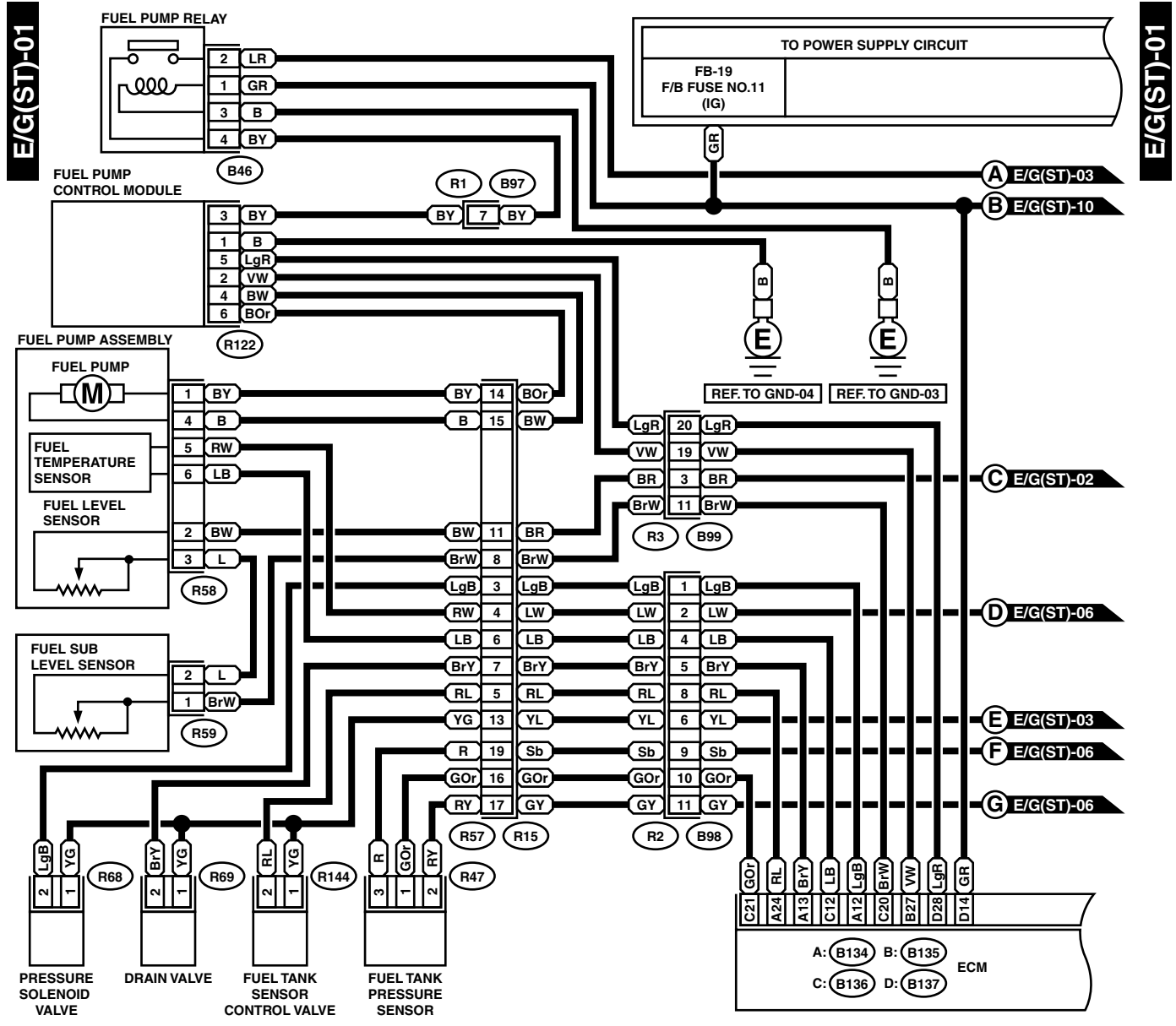
WIRING SYSTEM



WI-08908

Engine Electrical System

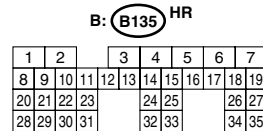
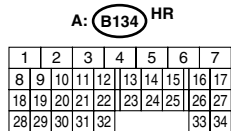
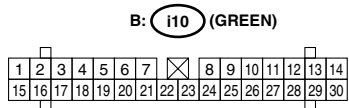
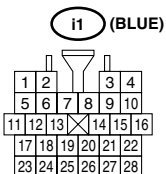
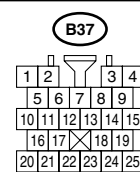
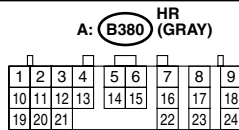
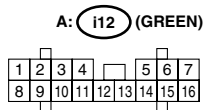
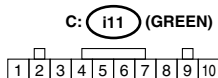
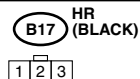
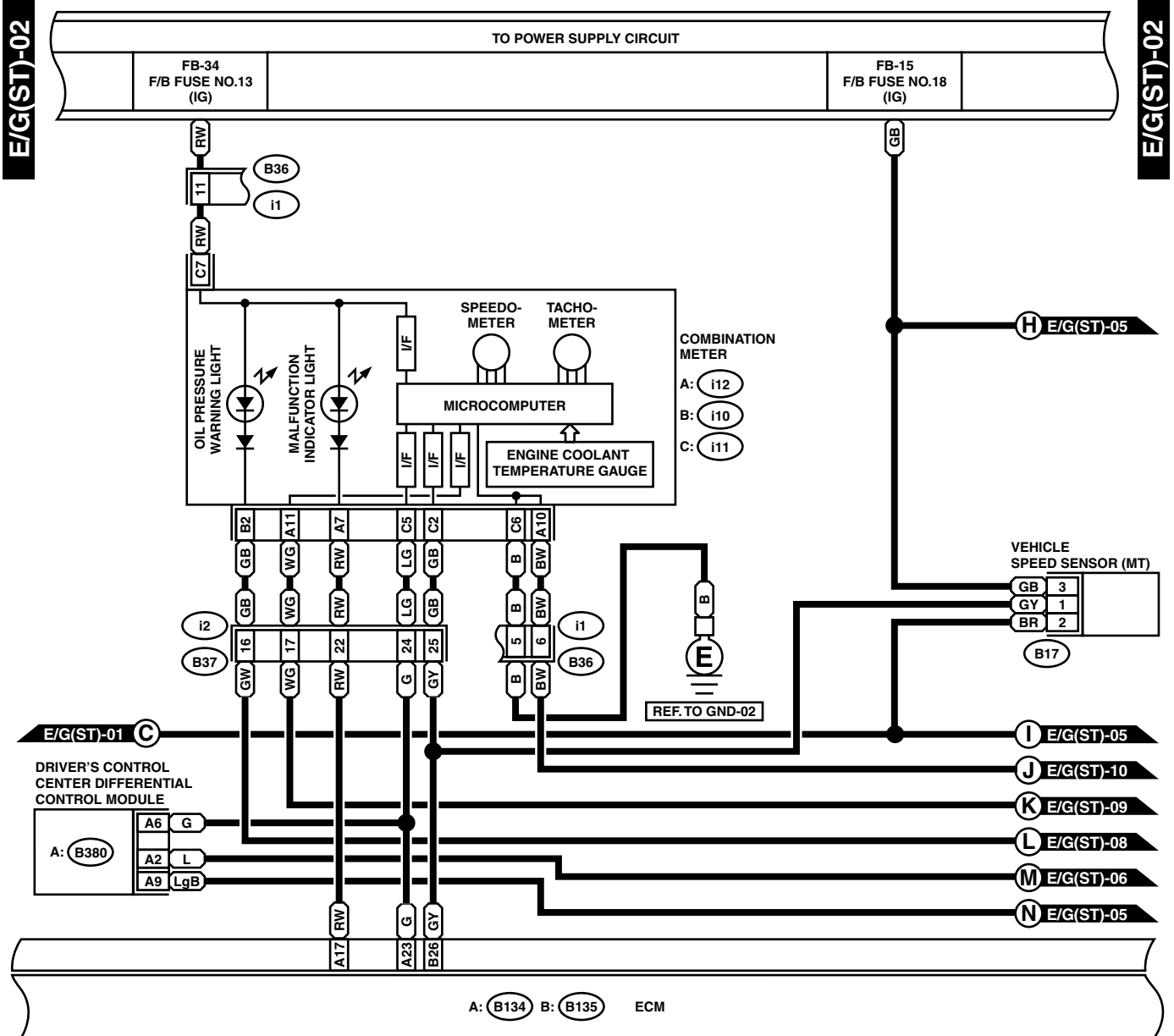
WIRING SYSTEM



WI-08909

Engine Electrical System

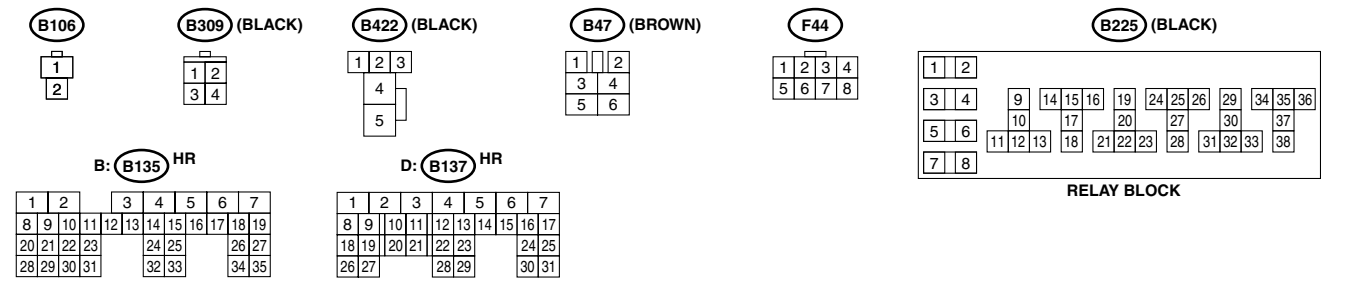
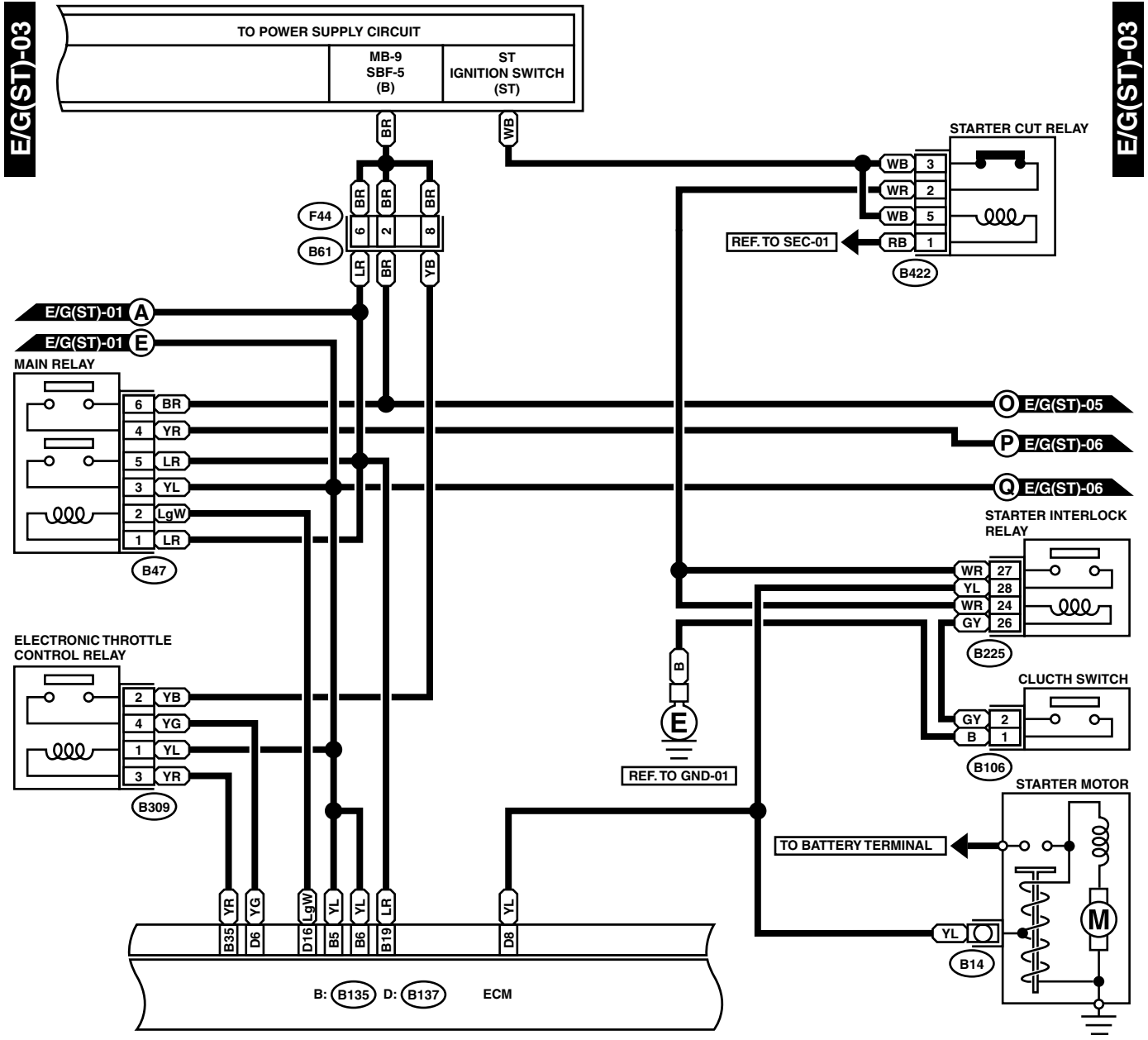
WIRING SYSTEM



WI-08910

Engine Electrical System

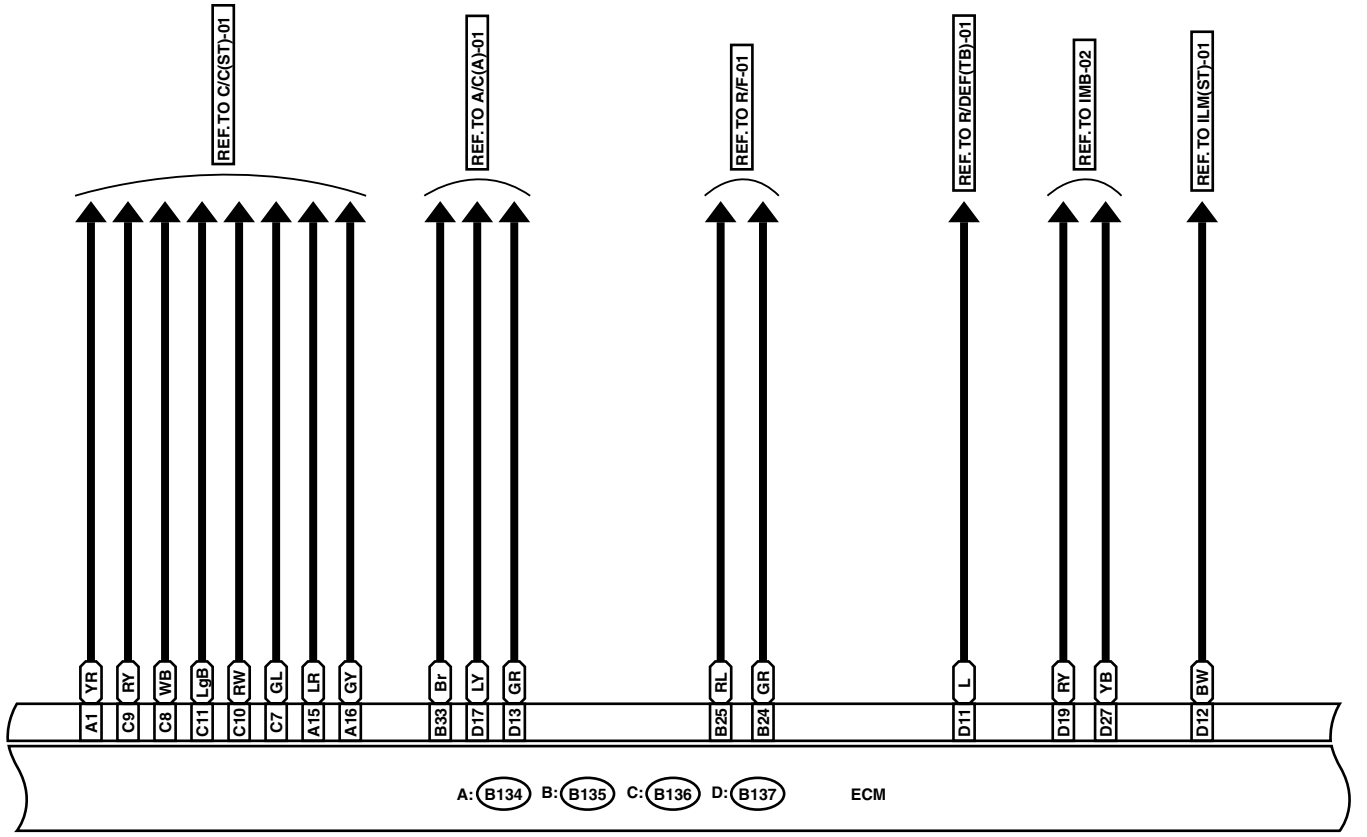
WIRING SYSTEM



WI-08911

E/G(ST)-04

E/G(ST)-04



A: (B134) HR

1	2	3	4	5	6	7
8	9	10	11	12	13	14
15	16	17	18	19	20	21
22	23	24	25	26	27	28
29	30	31	32	33	34	

B: (B135) HR

1	2	3	4	5	6	7
8	9	10	11	12	13	14
15	16	17	18	19	20	21
22	23	24	25	26	27	28
29	30	31	32	33	34	35

C: (B136) HR

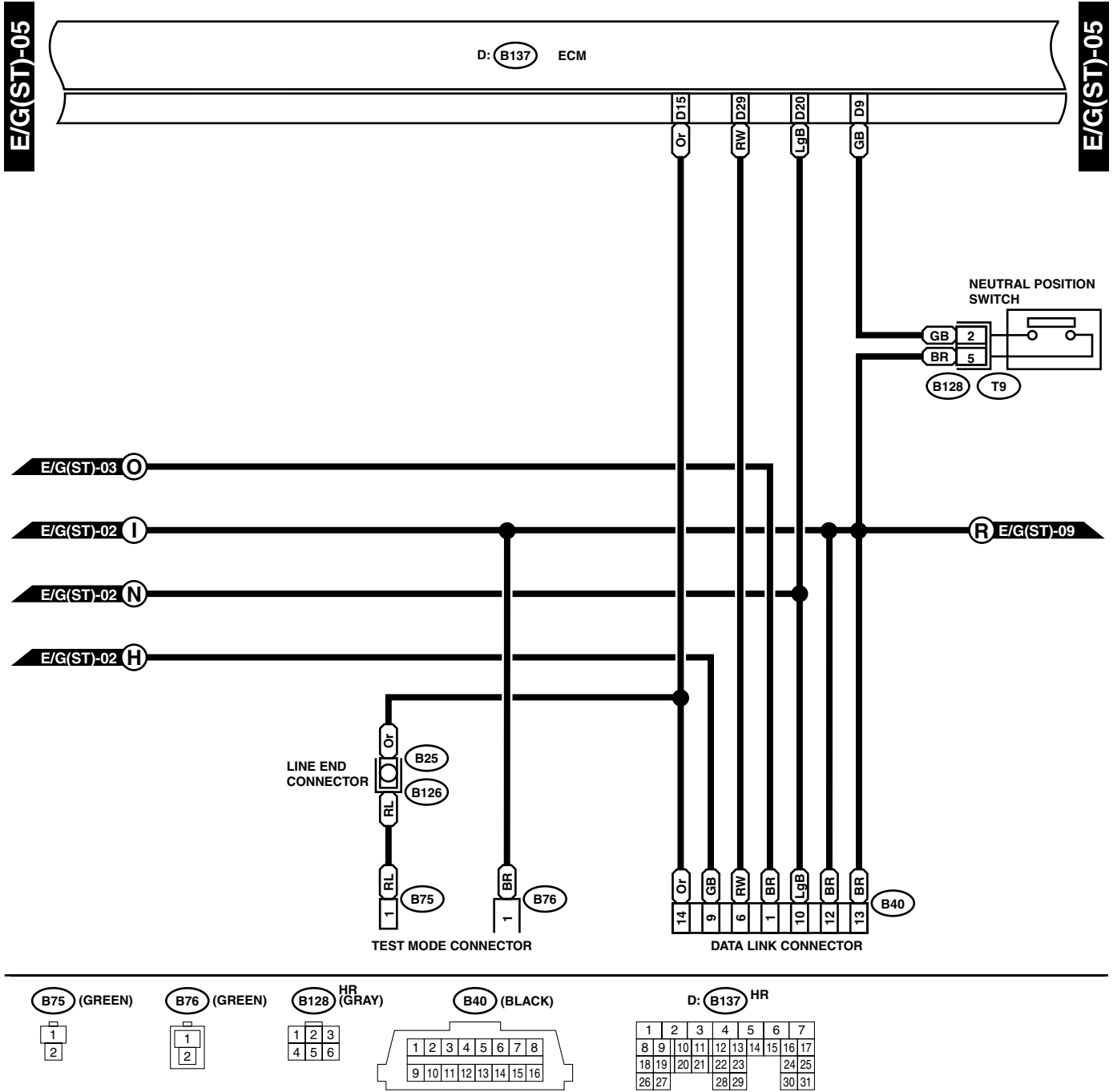
1	2	3	4	5	6
7	8	9	10	11	12
13	14	15	16	17	18
19	20	21	22	23	24
25	26	27	28	29	30
31	32	33	34	35	

D: (B137) HR

1	2	3	4	5	6	7
8	9	10	11	12	13	14
15	16	17	18	19	20	21
22	23	24	25	26	27	28
29	30	31				

Engine Electrical System

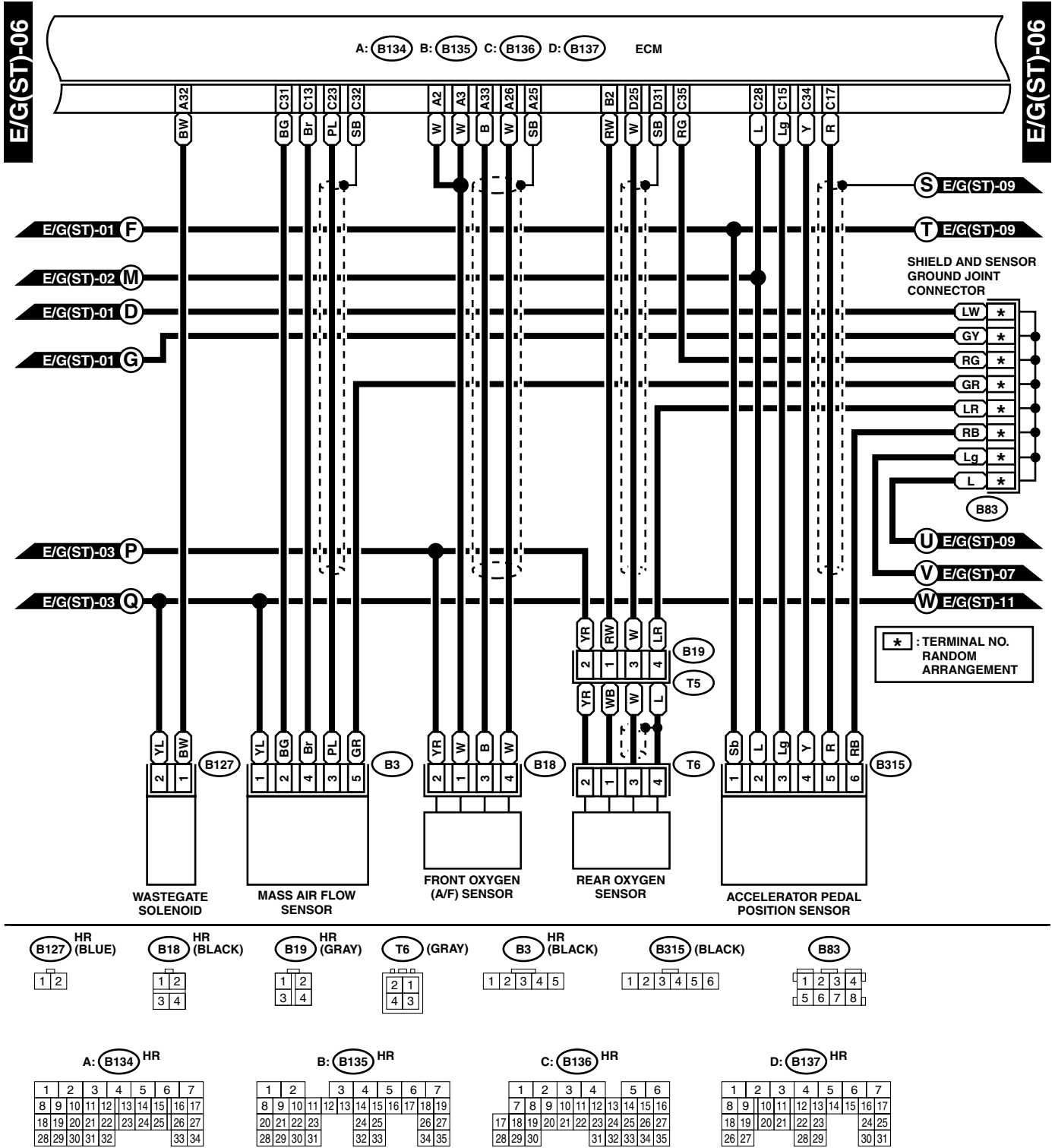
WIRING SYSTEM



WI-08913

Engine Electrical System

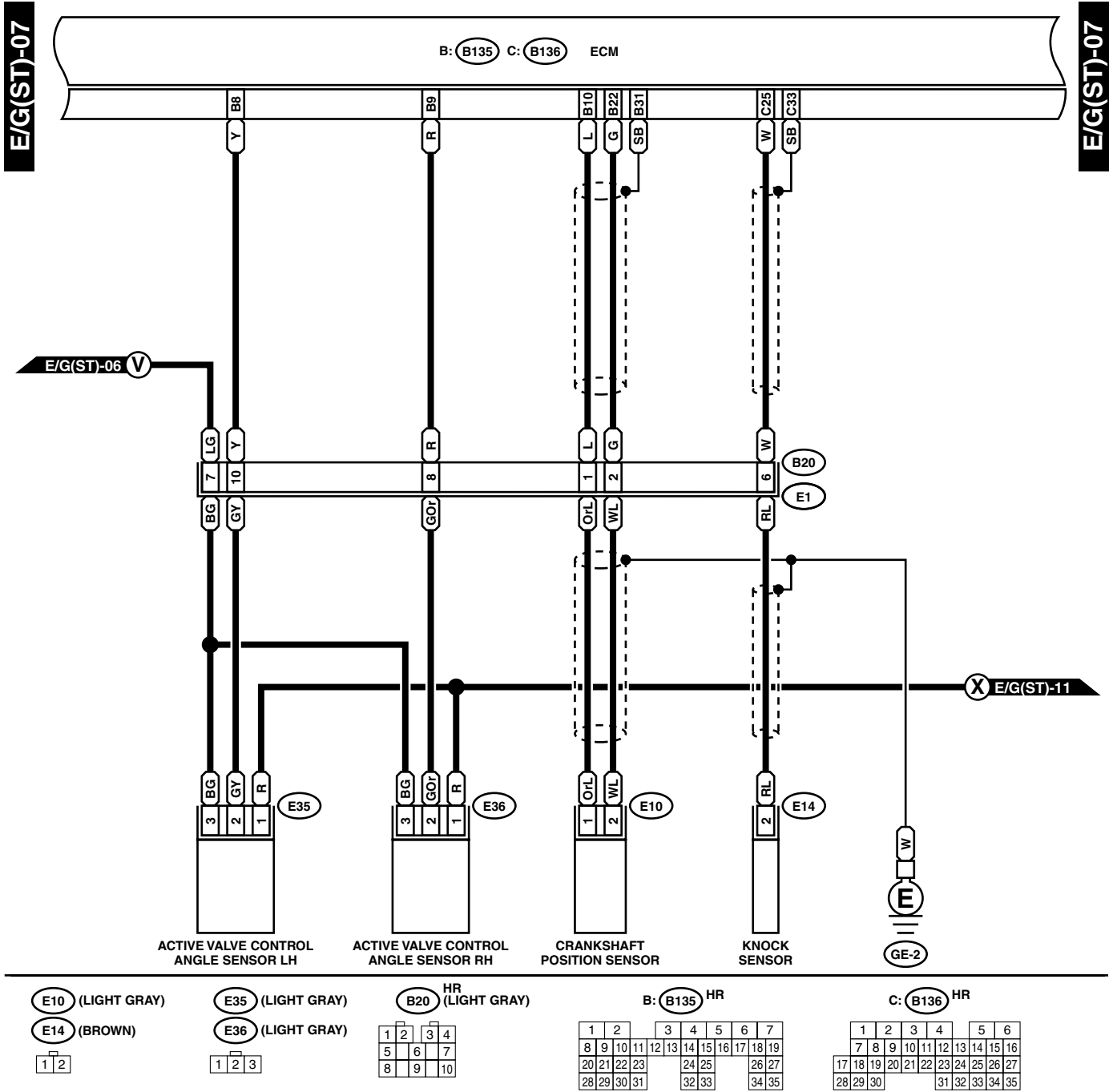
WIRING SYSTEM



WI-08914

Engine Electrical System

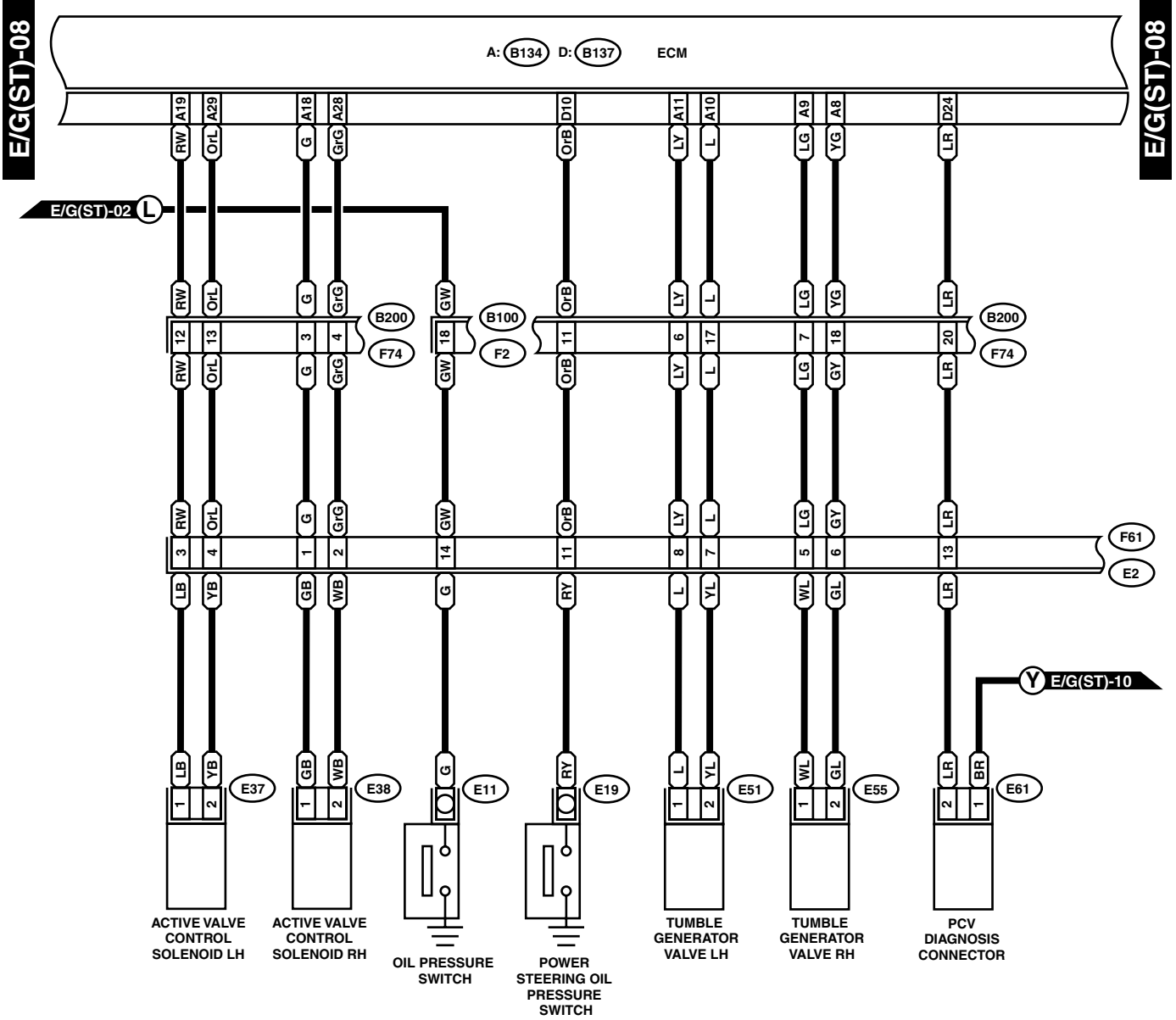
WIRING SYSTEM



WI-08915

Engine Electrical System

WIRING SYSTEM



E37 (BLUE)

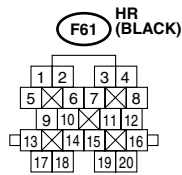
E38 (BLUE)

E51 (BLACK)

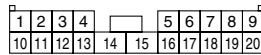
E55 (BLACK)

E61 (DARK GRAY)

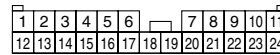
1 2



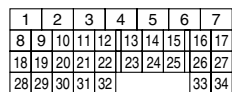
F74 (BLUE)



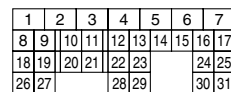
F2 (BLACK)



A: (B134) HR



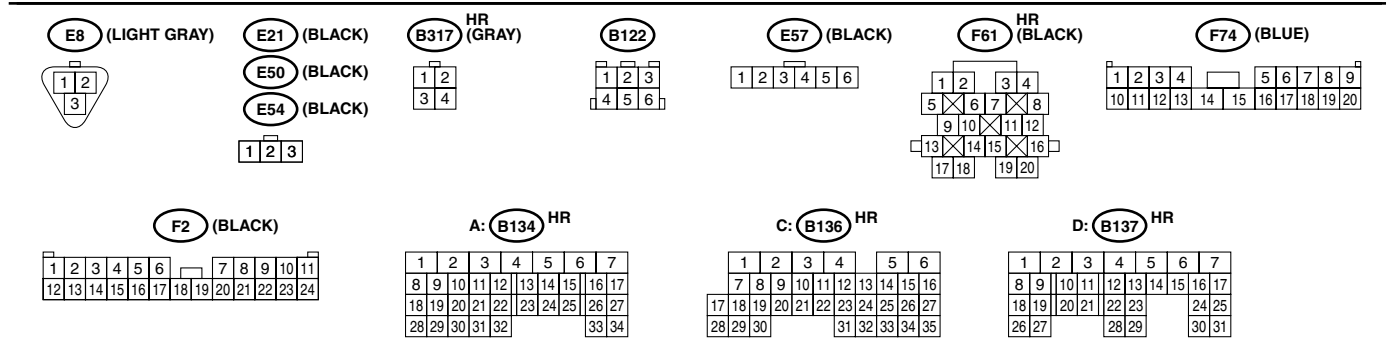
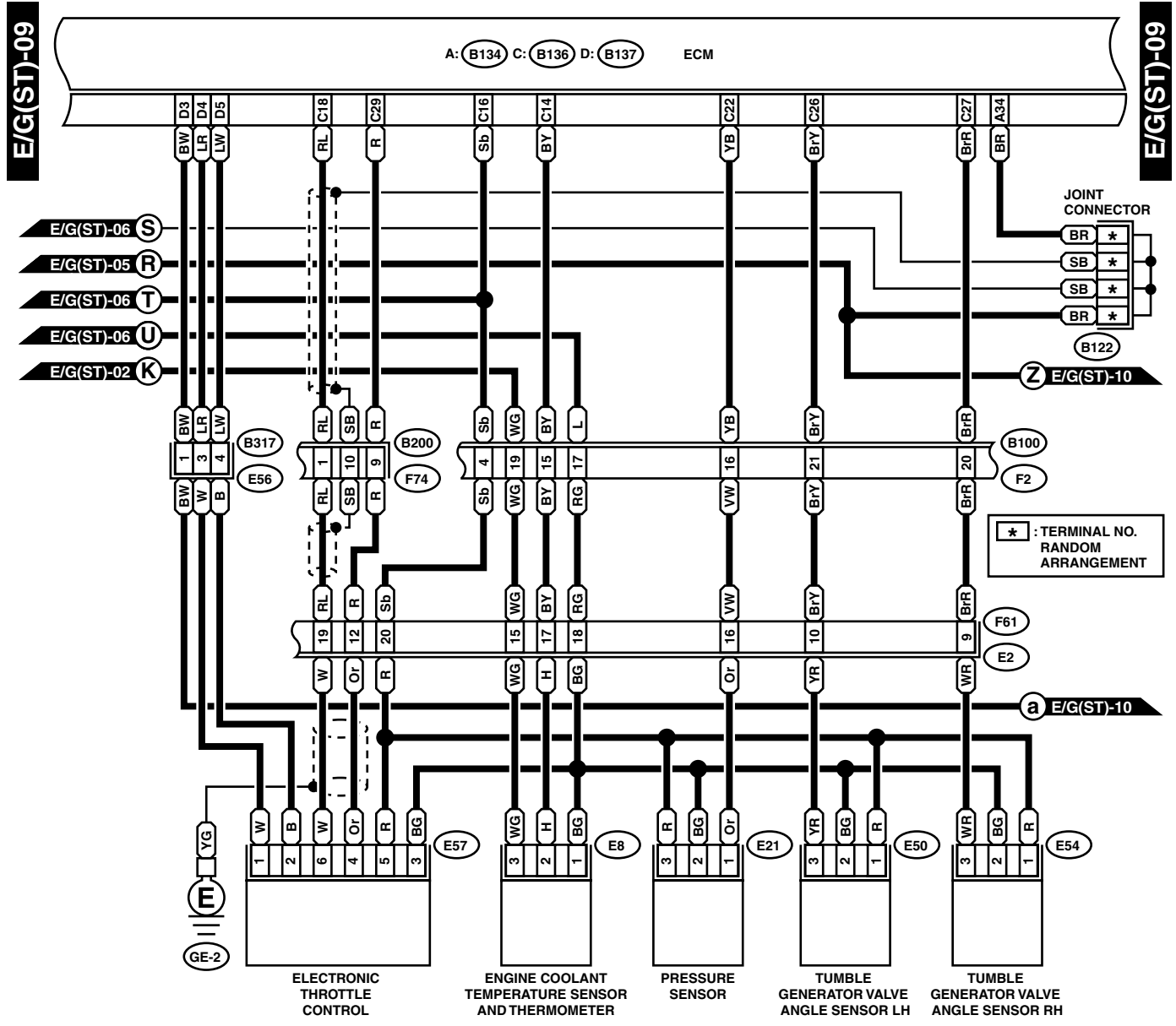
D: (B137) HR



WI-08916

Engine Electrical System

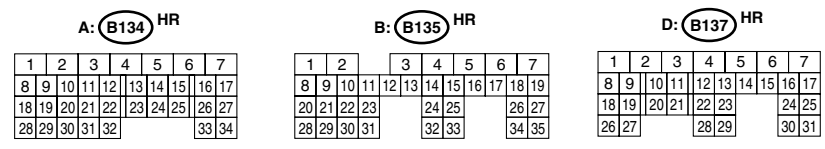
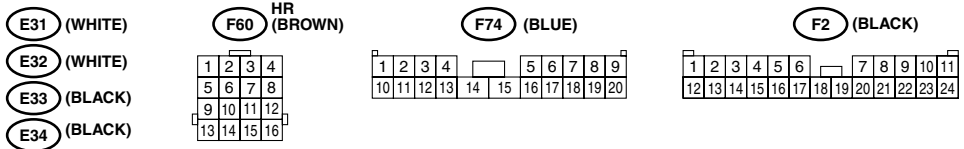
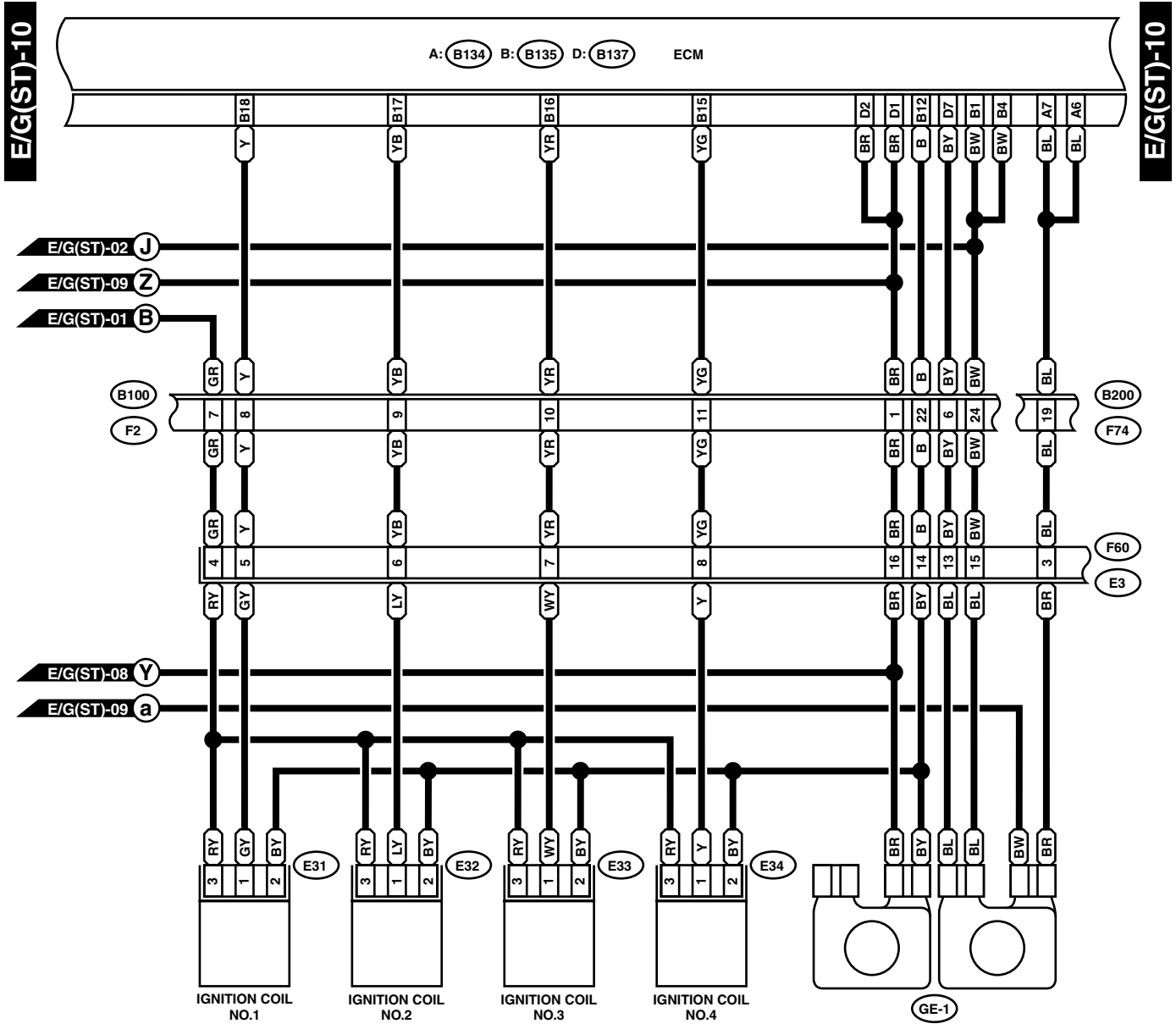
WIRING SYSTEM



WI-08917

Engine Electrical System

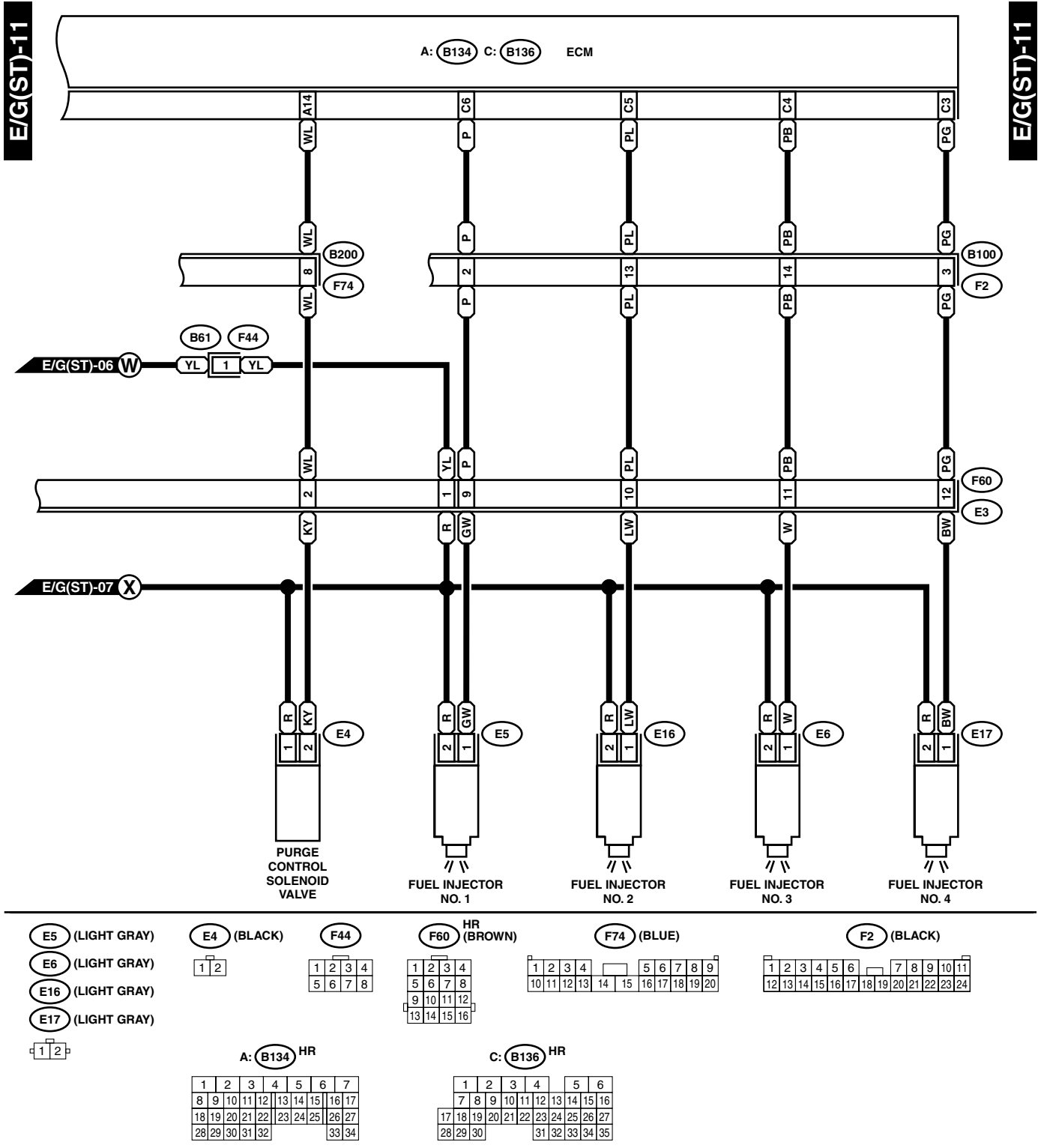
WIRING SYSTEM



WI-08918

Engine Electrical System

WIRING SYSTEM

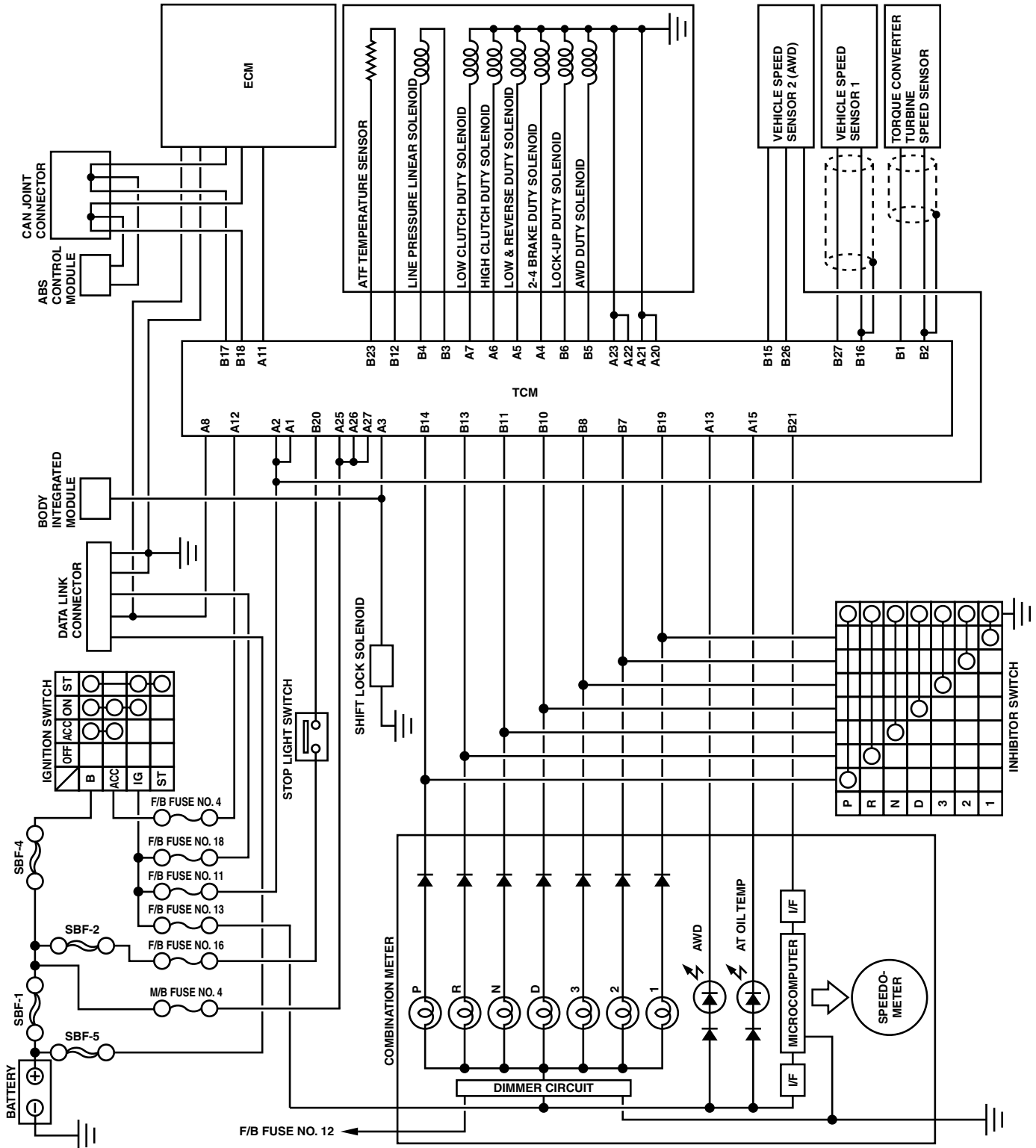


WI-08919

6. AT Control System

A: WIRING DIAGRAM

1. TURBO MODEL



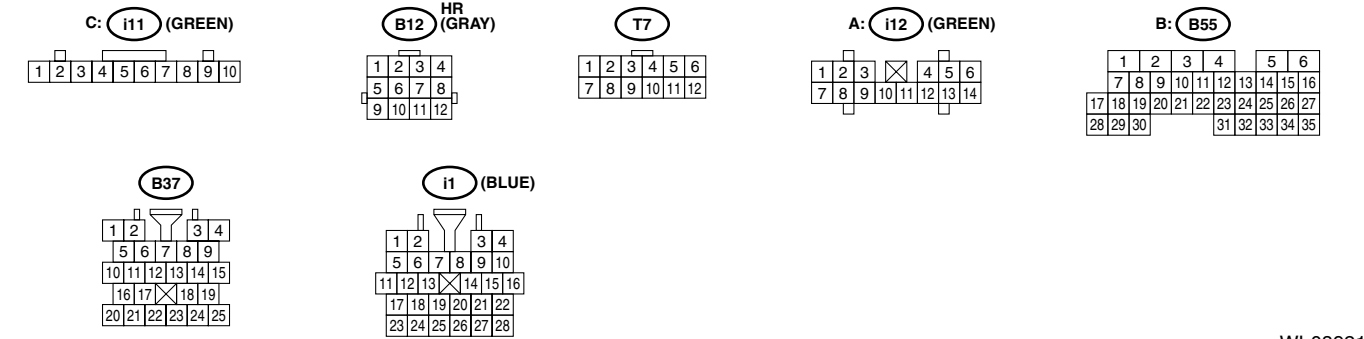
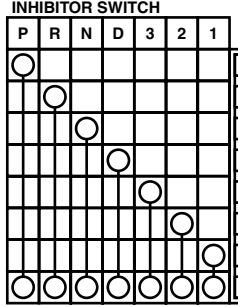
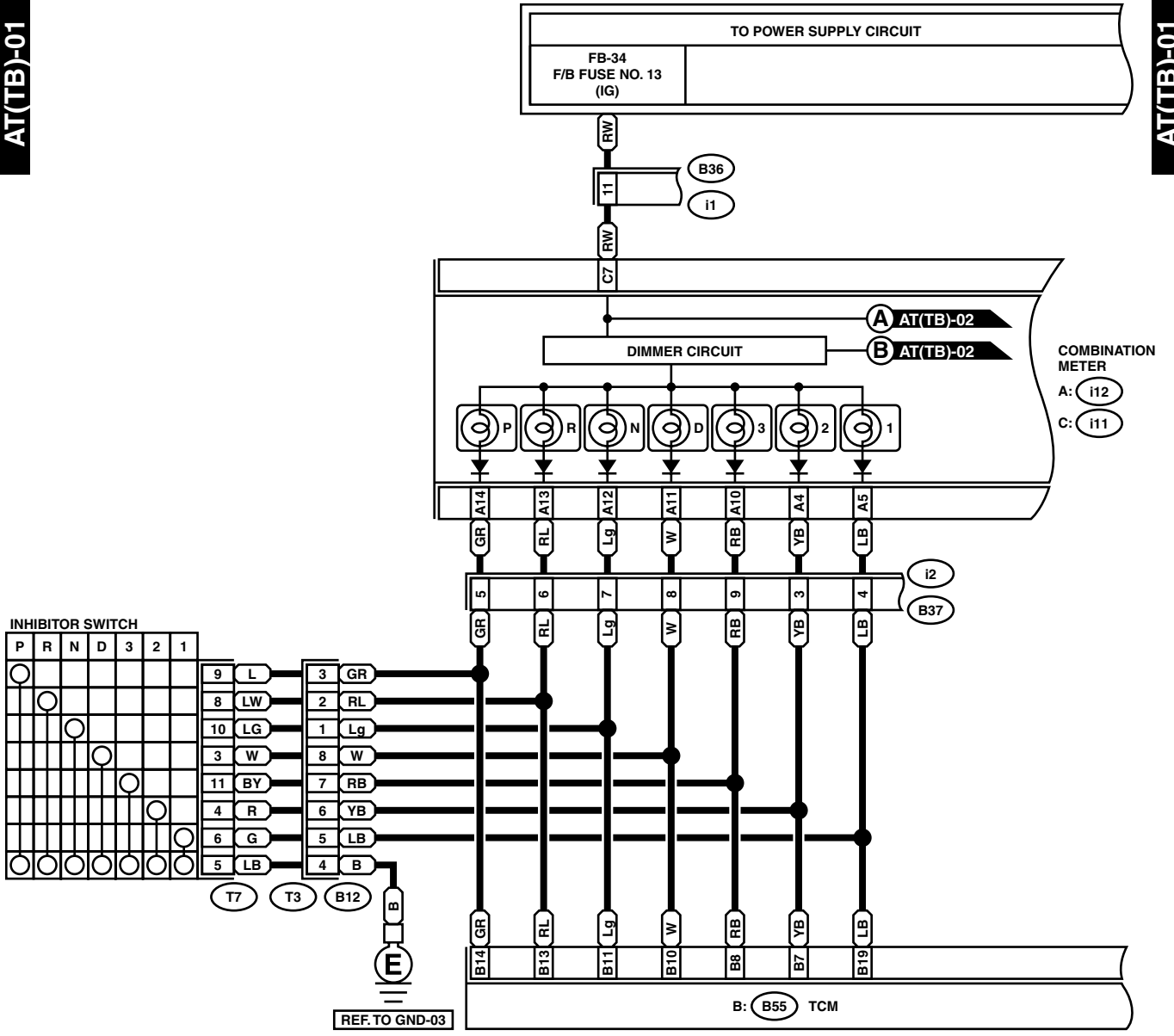
WI-08920

AT Control System

WIRING SYSTEM

AT(TB)-01

AT(TB)-01



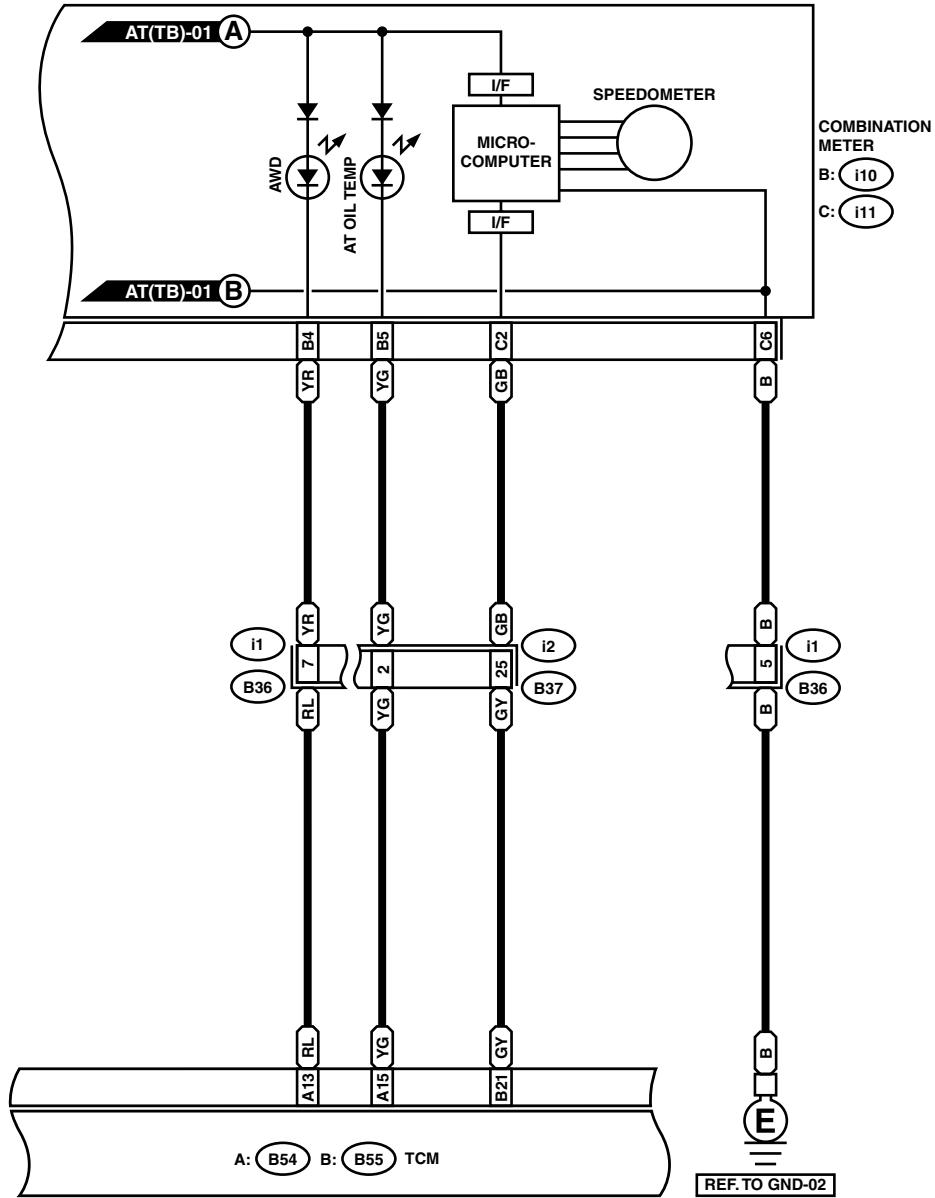
WI-08921

AT Control System

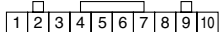
WIRING SYSTEM

AT(TB)-02

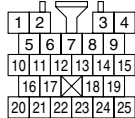
AT(TB)-02



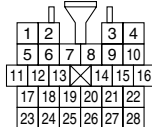
C: i11 (GREEN)



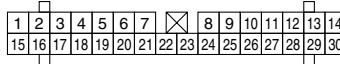
B37



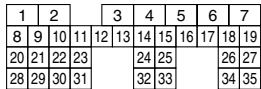
i1 (BLUE)



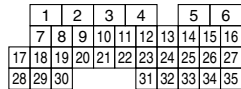
B: i10 (GREEN)



A: B54



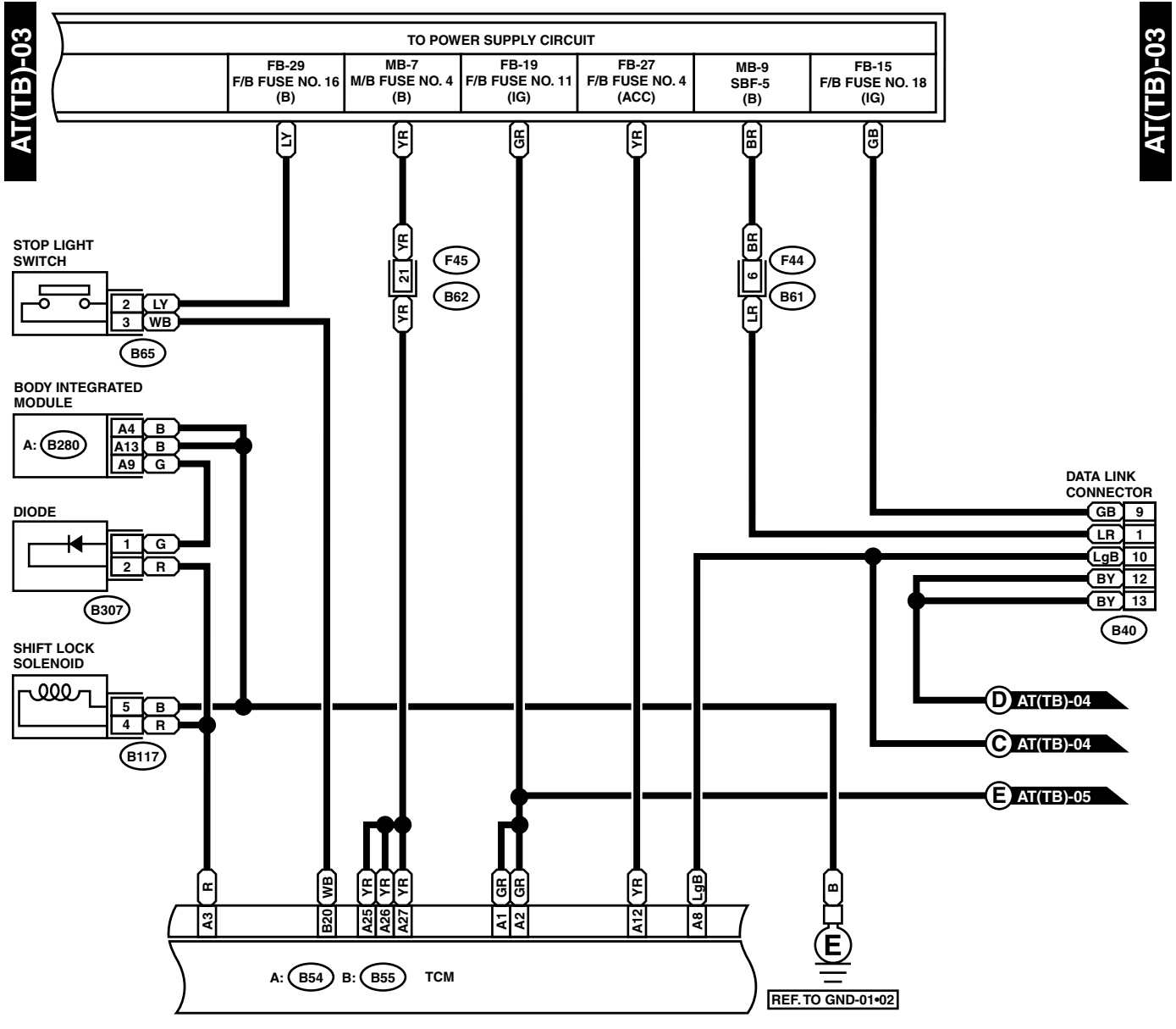
B: B55



WI-08922

AT Control System

WIRING SYSTEM



AT(TB)-03

AT(TB)-03

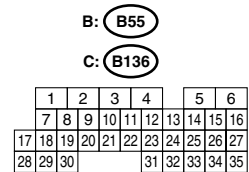
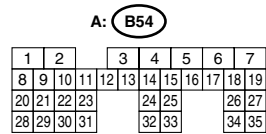
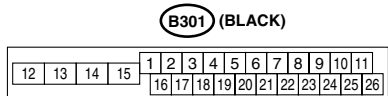
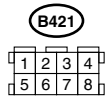
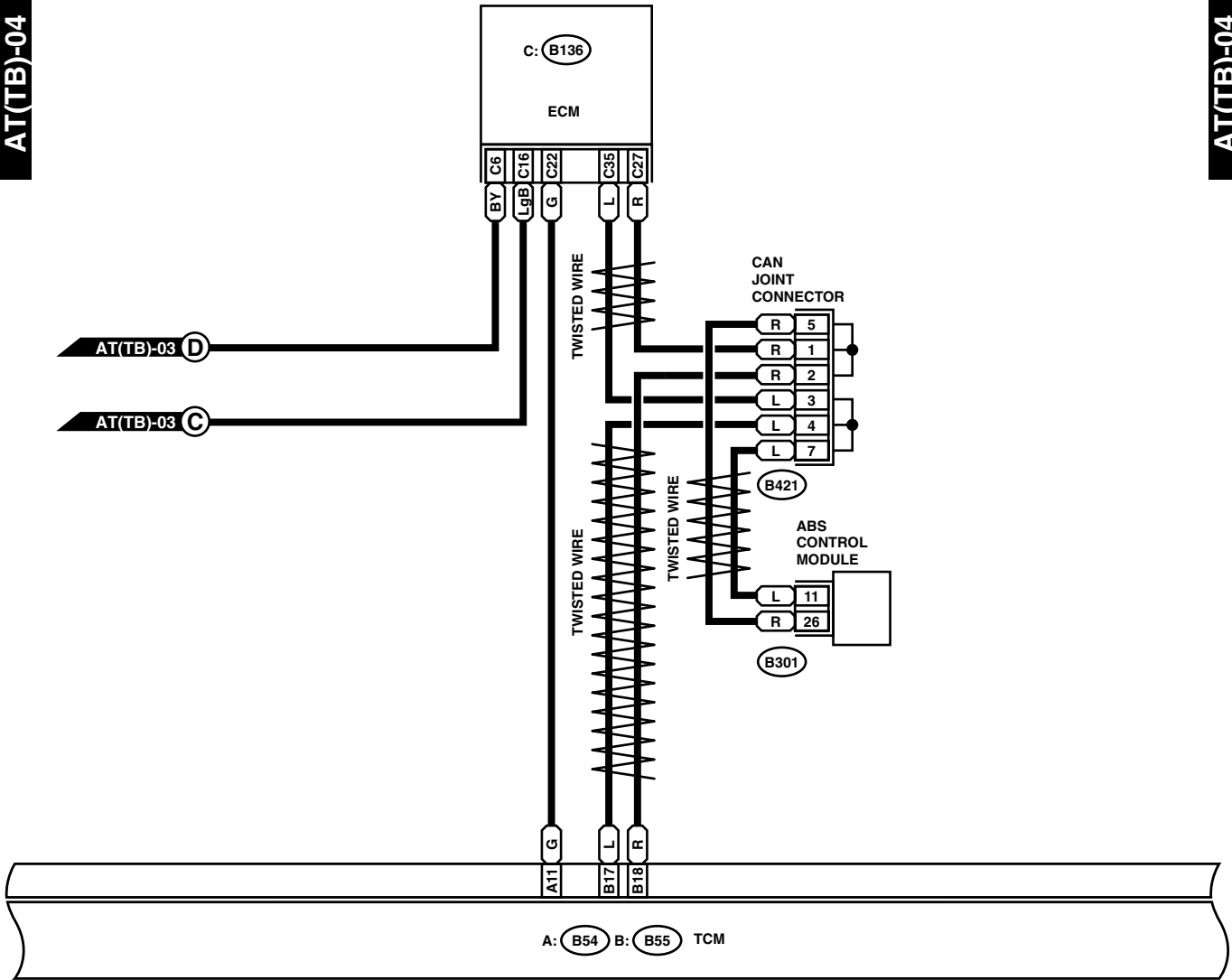
WI-08923

AT Control System

WIRING SYSTEM

AT(TB)-04

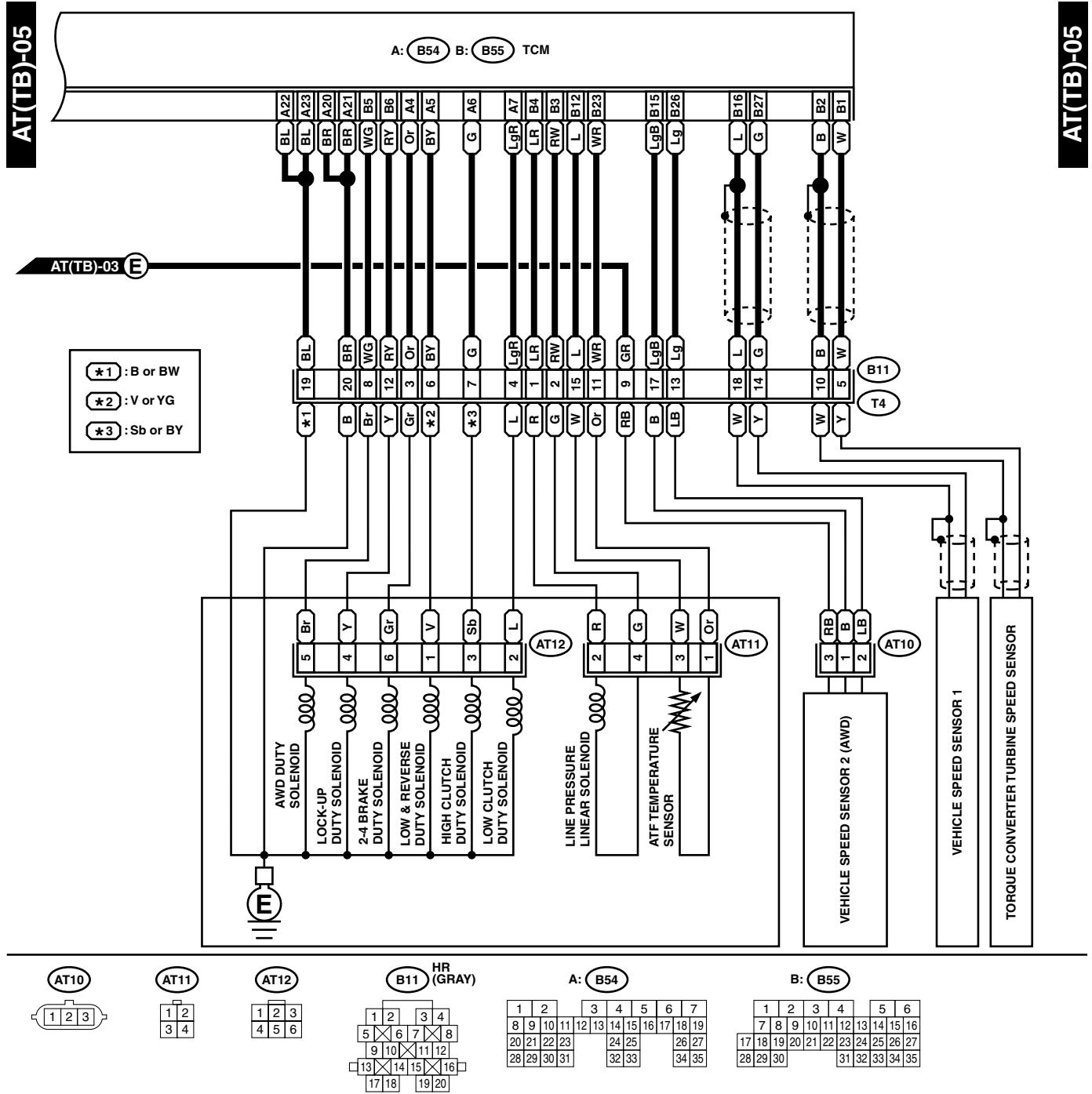
AT(TB)-04



WI-08924

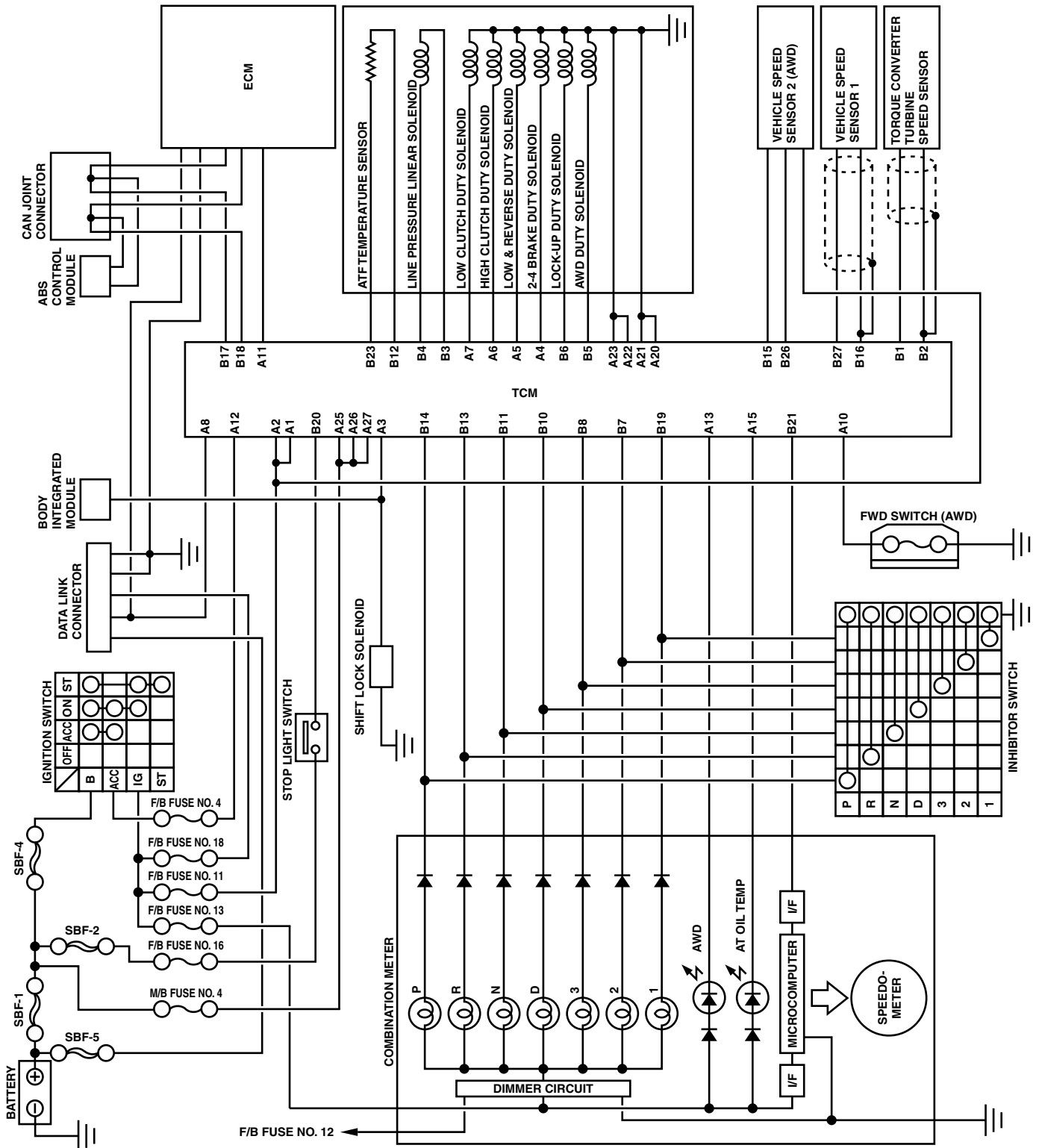
AT Control System

WIRING SYSTEM



WI-10736

2. NON-TURBO MODEL



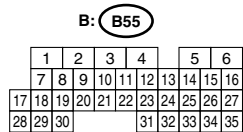
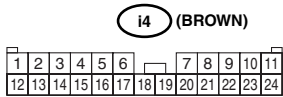
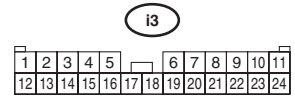
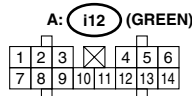
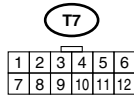
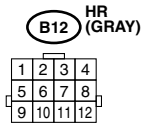
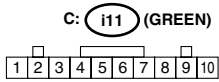
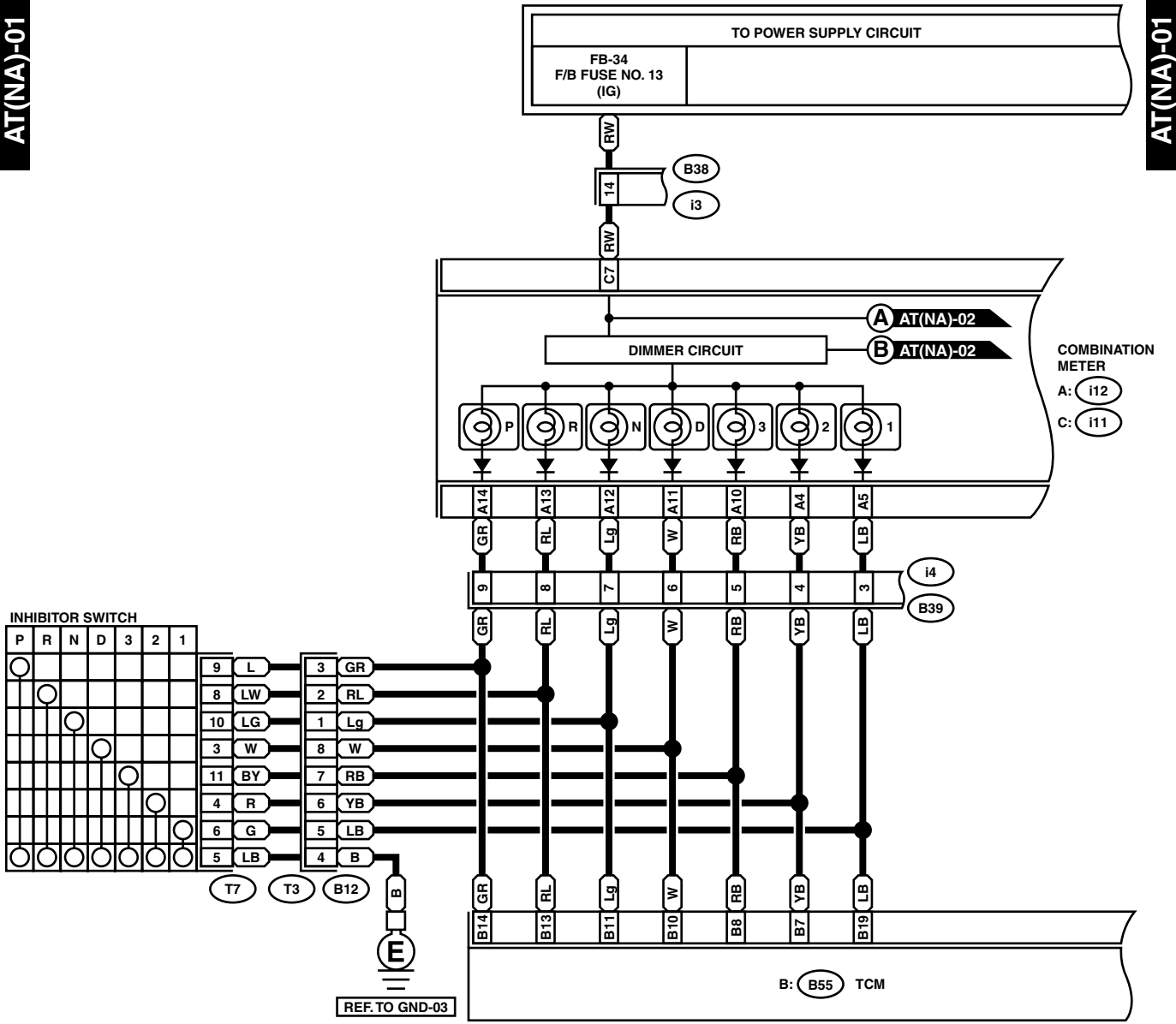
WI-08926

AT Control System

WIRING SYSTEM

AT(NA)-01

AT(NA)-01



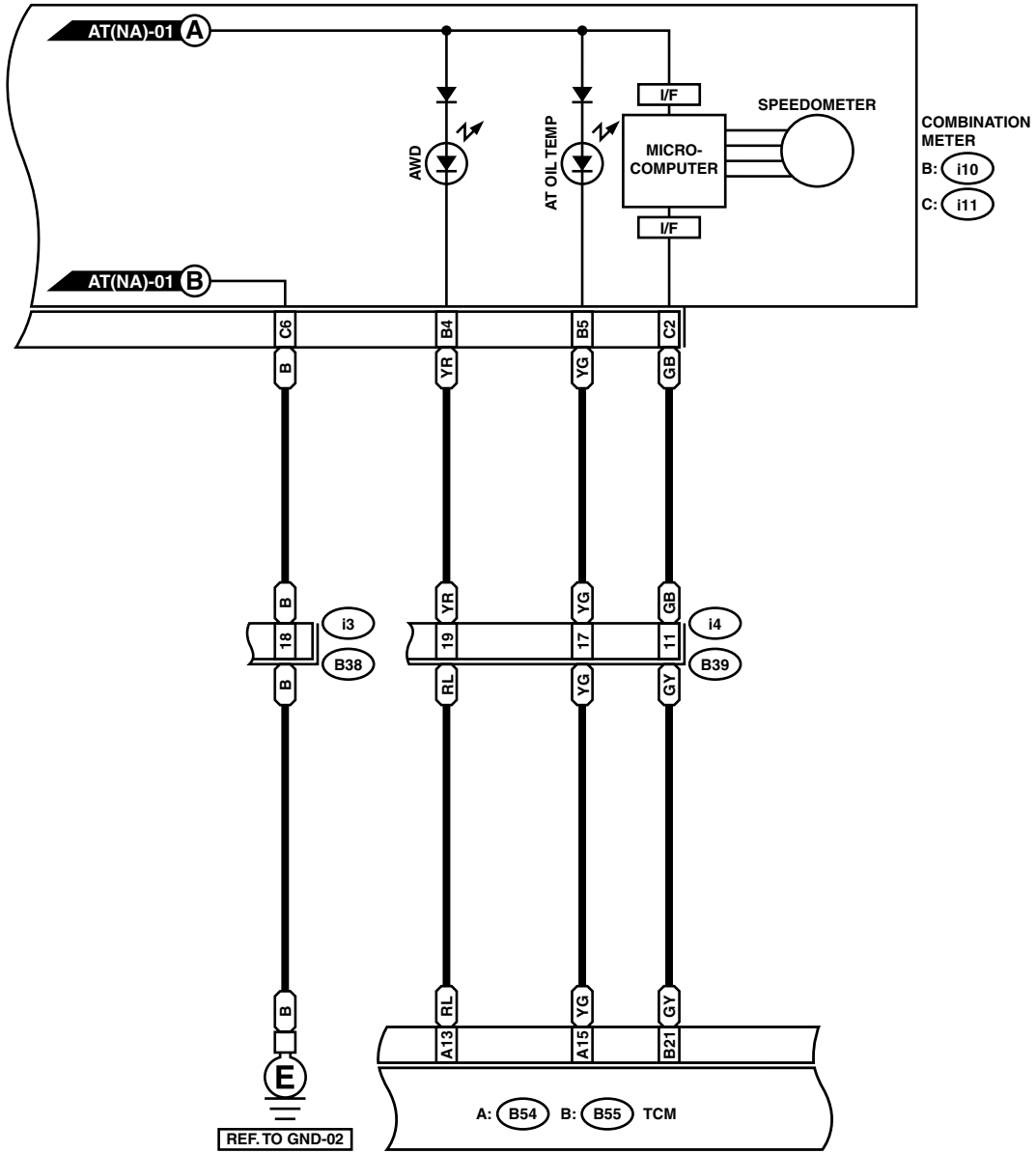
WI-08927

AT Control System

WIRING SYSTEM

AT(NA)-02

AT(NA)-02



REF. TO GND-02

C: i11 (GREEN)

1	2	3	4	5	6	7	8	9	10
---	---	---	---	---	---	---	---	---	----

i3

1	2	3	4	5	6	7	8	9	10	11		
12	13	14	15	16	17	18	19	20	21	22	23	24

i4 (BROWN)

1	2	3	4	5	6	7	8	9	10	11		
12	13	14	15	16	17	18	19	20	21	22	23	24

B: i10 (GREEN)

1	2	3	4	5	6	7	8	9	10	11	12	13	14		
15	16	17	18	19	20	21	22	23	24	25	26	27	28	29	30

A: B54

1	2	3	4	5	6	7					
8	9	10	11	12	13	14	15	16	17	18	19
20	21	22	23	24	25	26	27				
28	29	30	31	32	33	34	35				

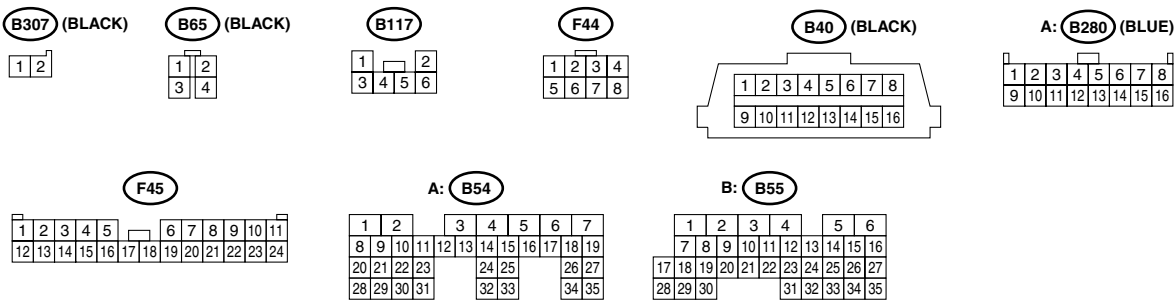
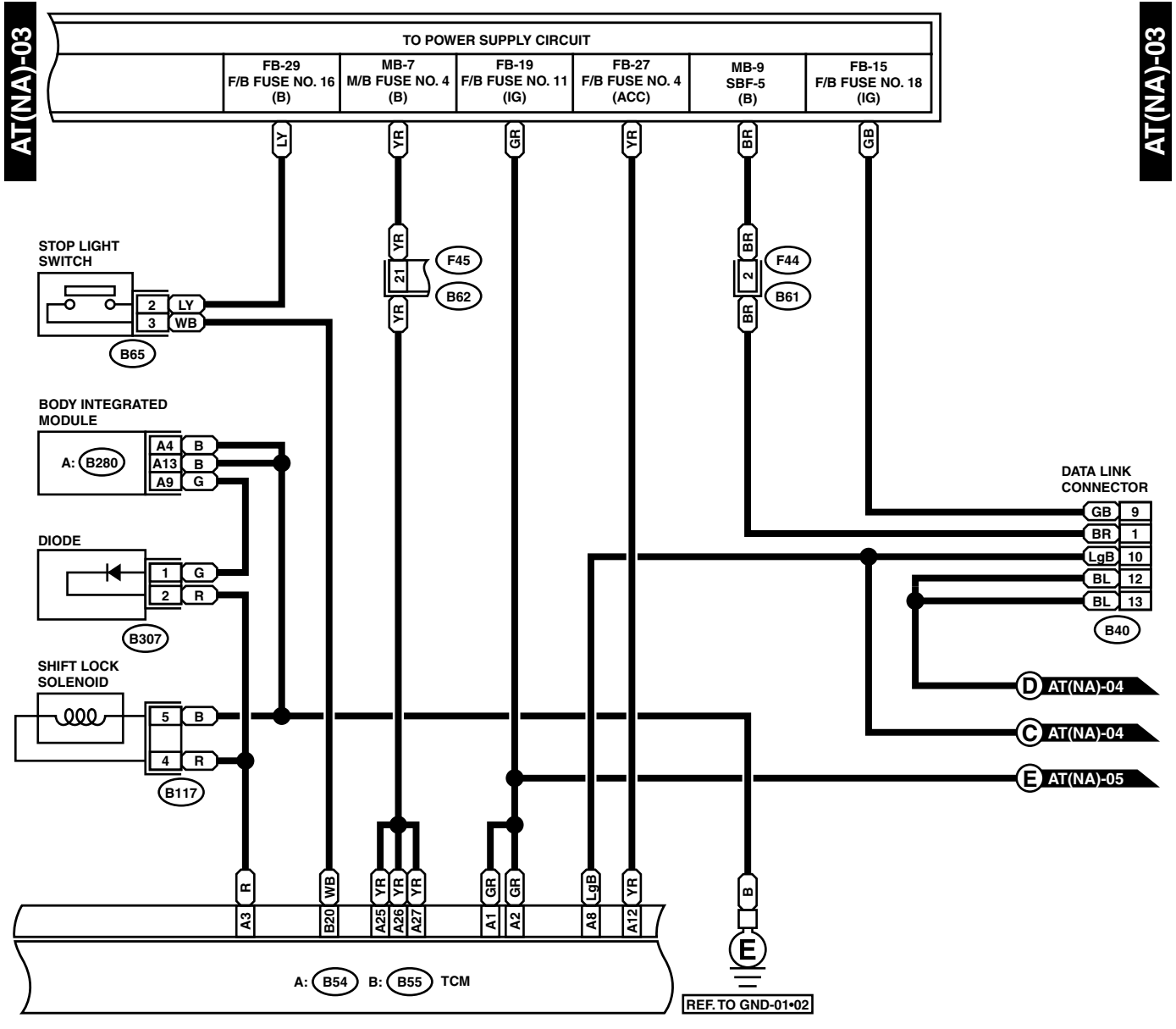
B: B55

1	2	3	4	5	6					
7	8	9	10	11	12	13	14	15	16	
17	18	19	20	21	22	23	24	25	26	27
28	29	30	31	32	33	34	35			

WI-08928

AT Control System

WIRING SYSTEM



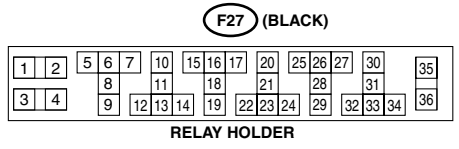
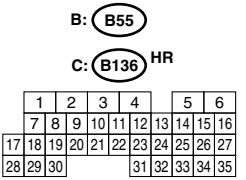
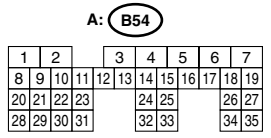
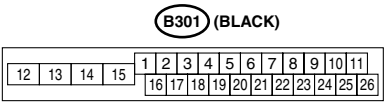
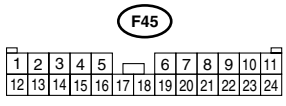
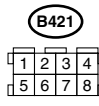
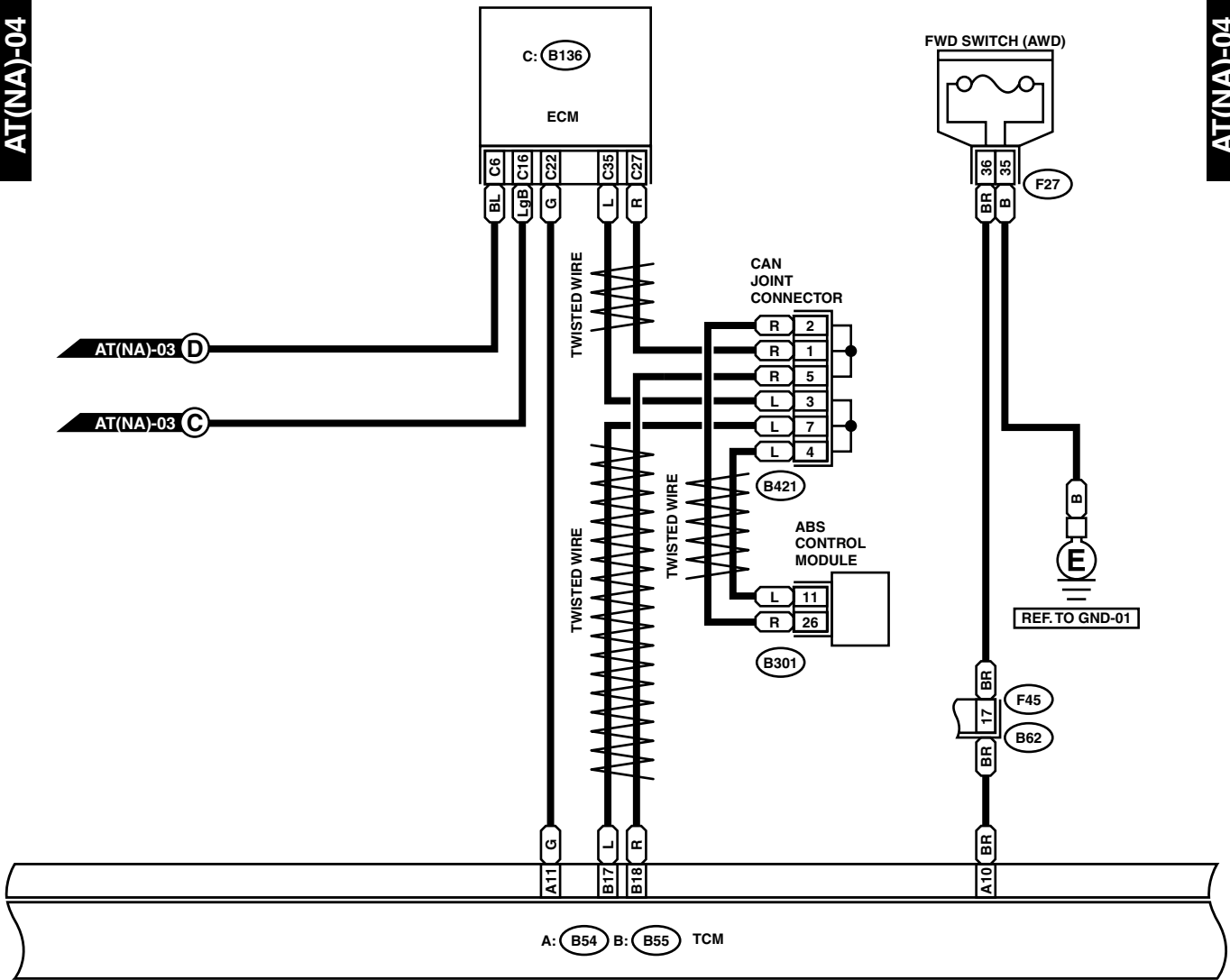
WI-08929

AT Control System

WIRING SYSTEM

AT(NA)-04

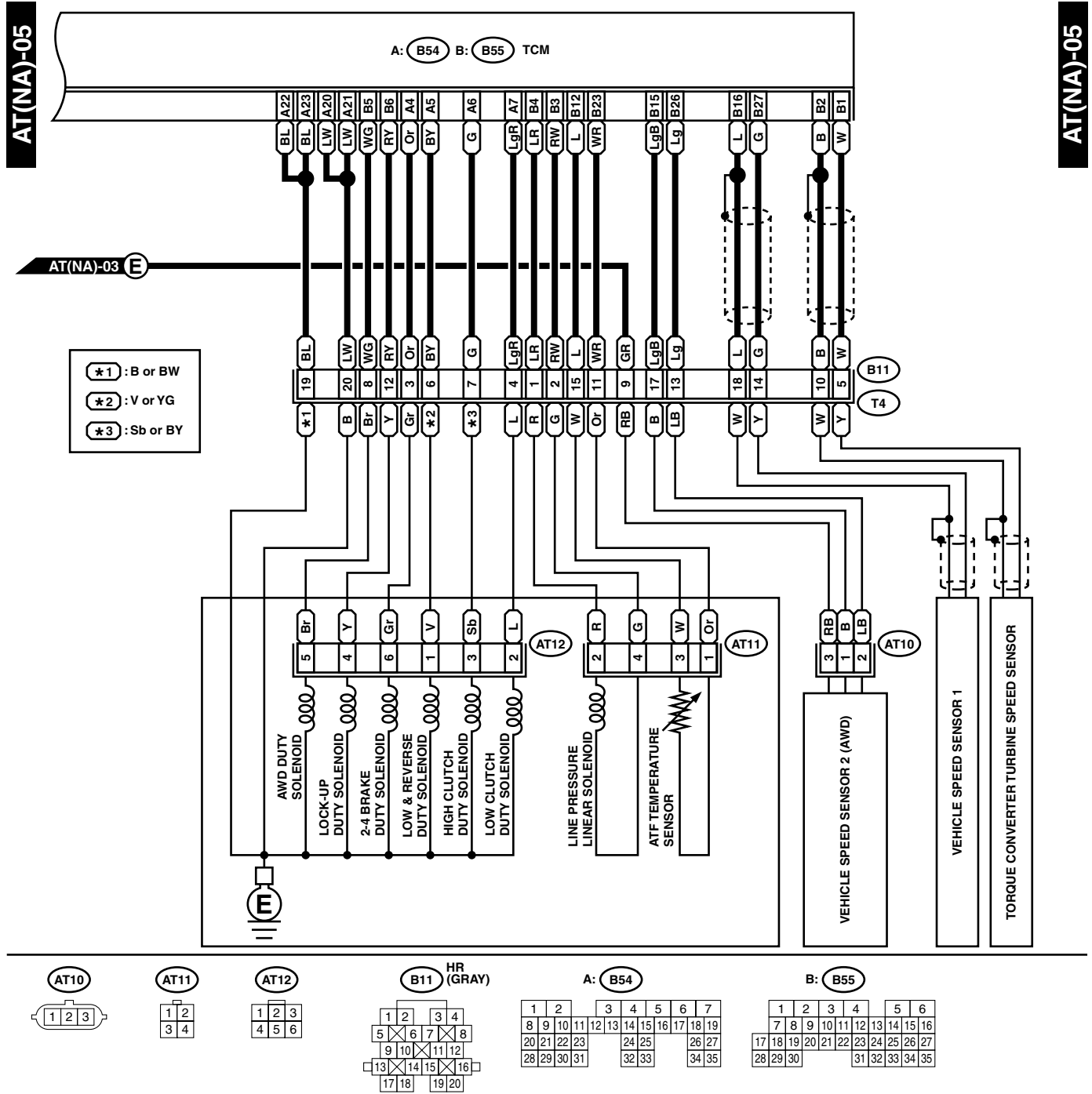
AT(NA)-04



WI-08930

AT Control System

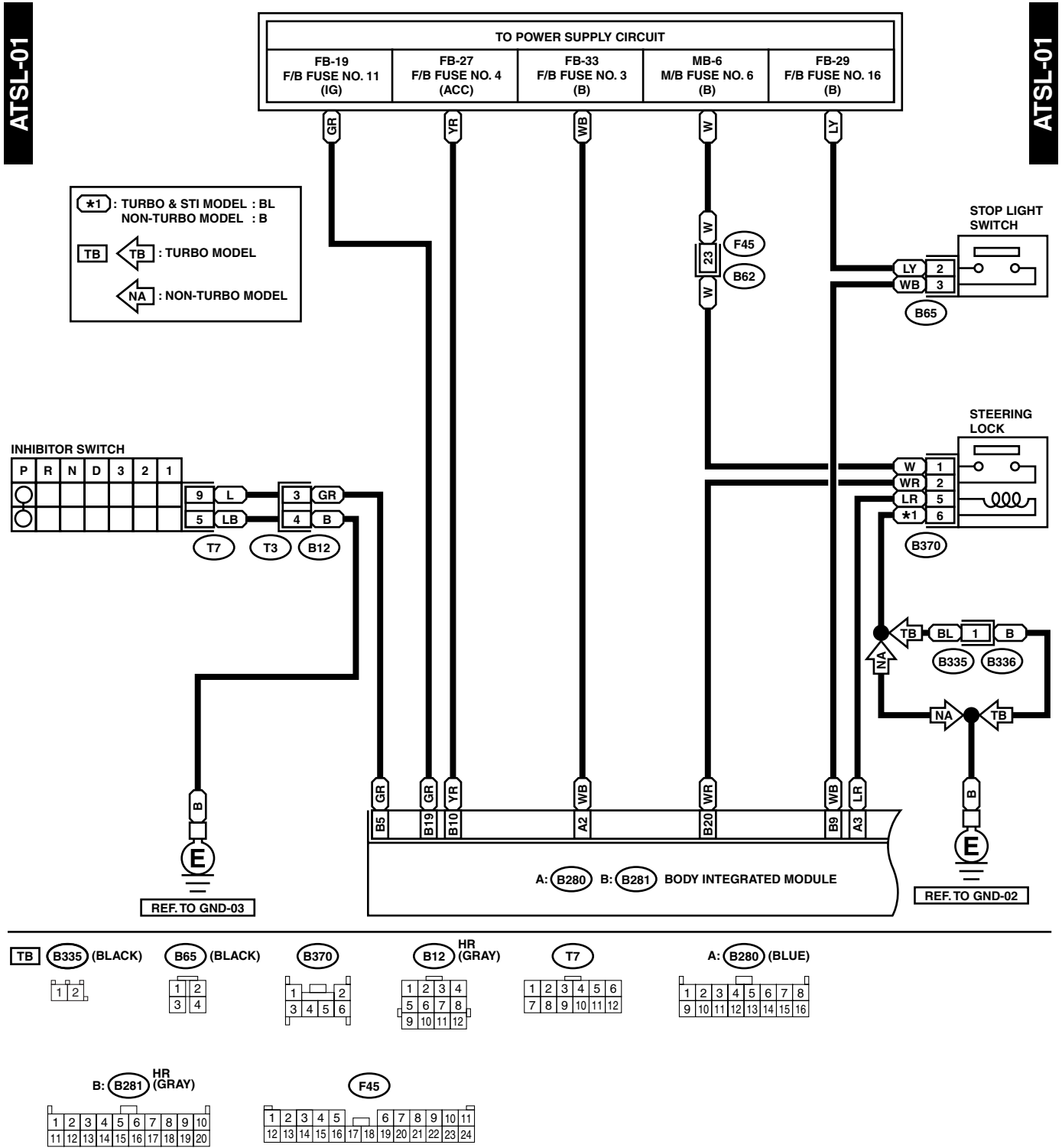
WIRING SYSTEM



WI-10737

7. AT Shift Lock Control System

A: WIRING DIAGRAM

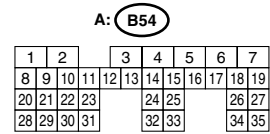
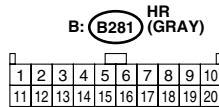
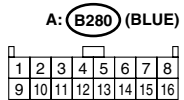
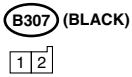
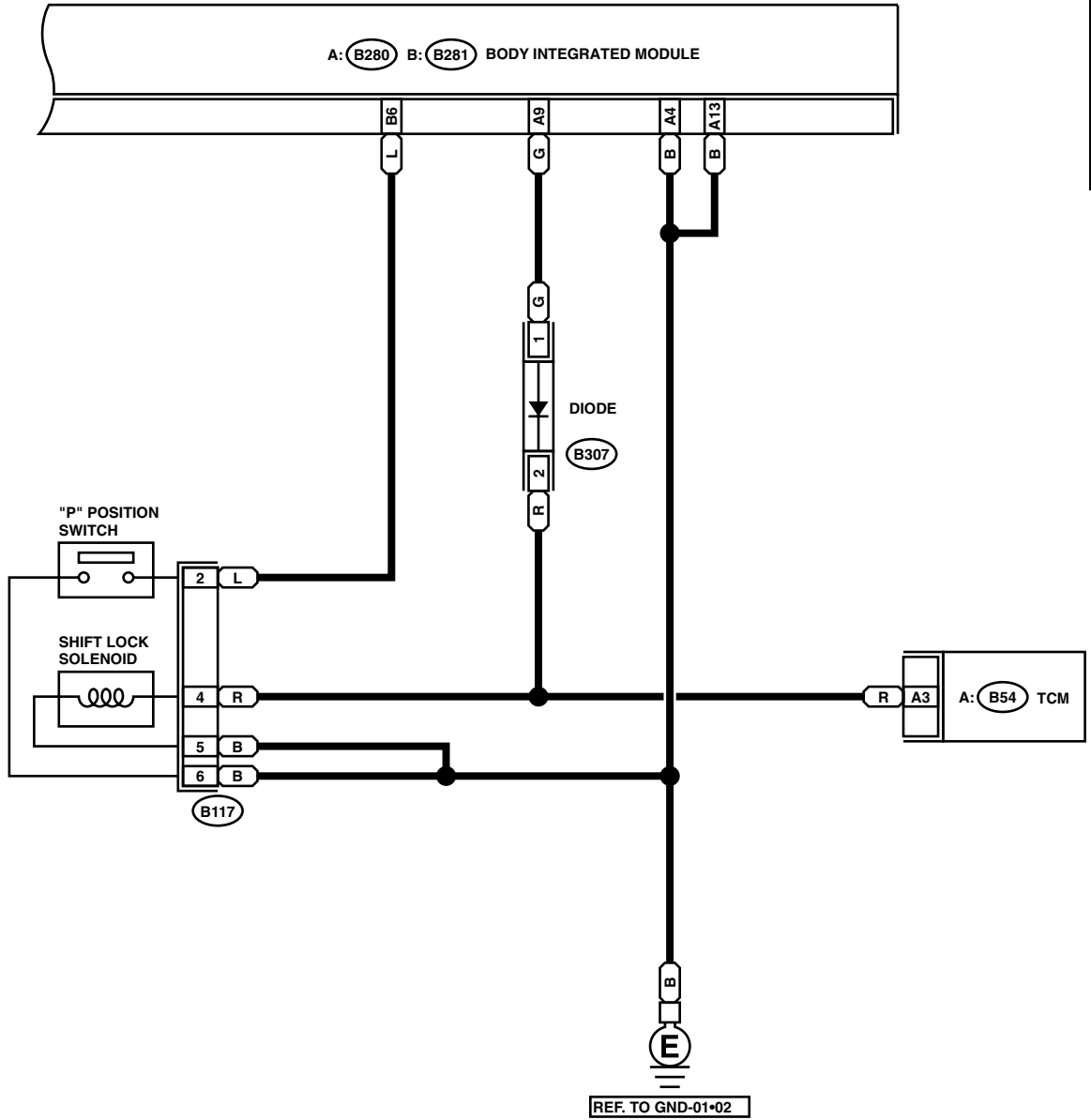


AT Shift Lock Control System

WIRING SYSTEM

ATSL-02

ATSL-02

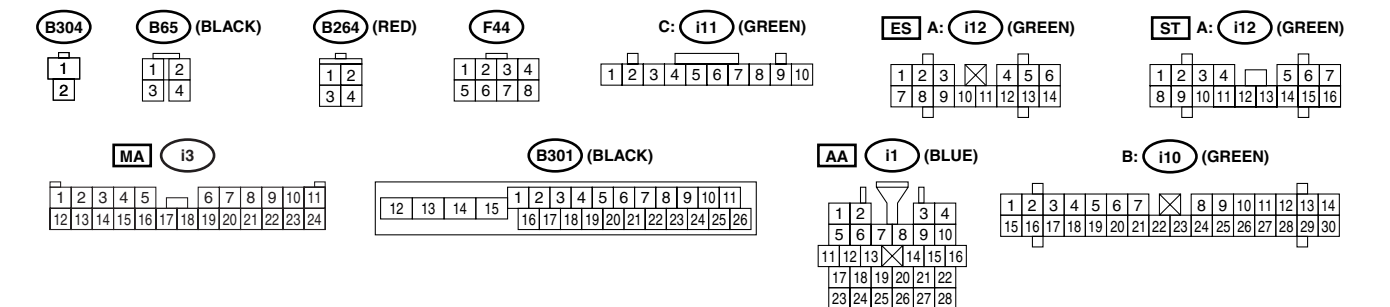
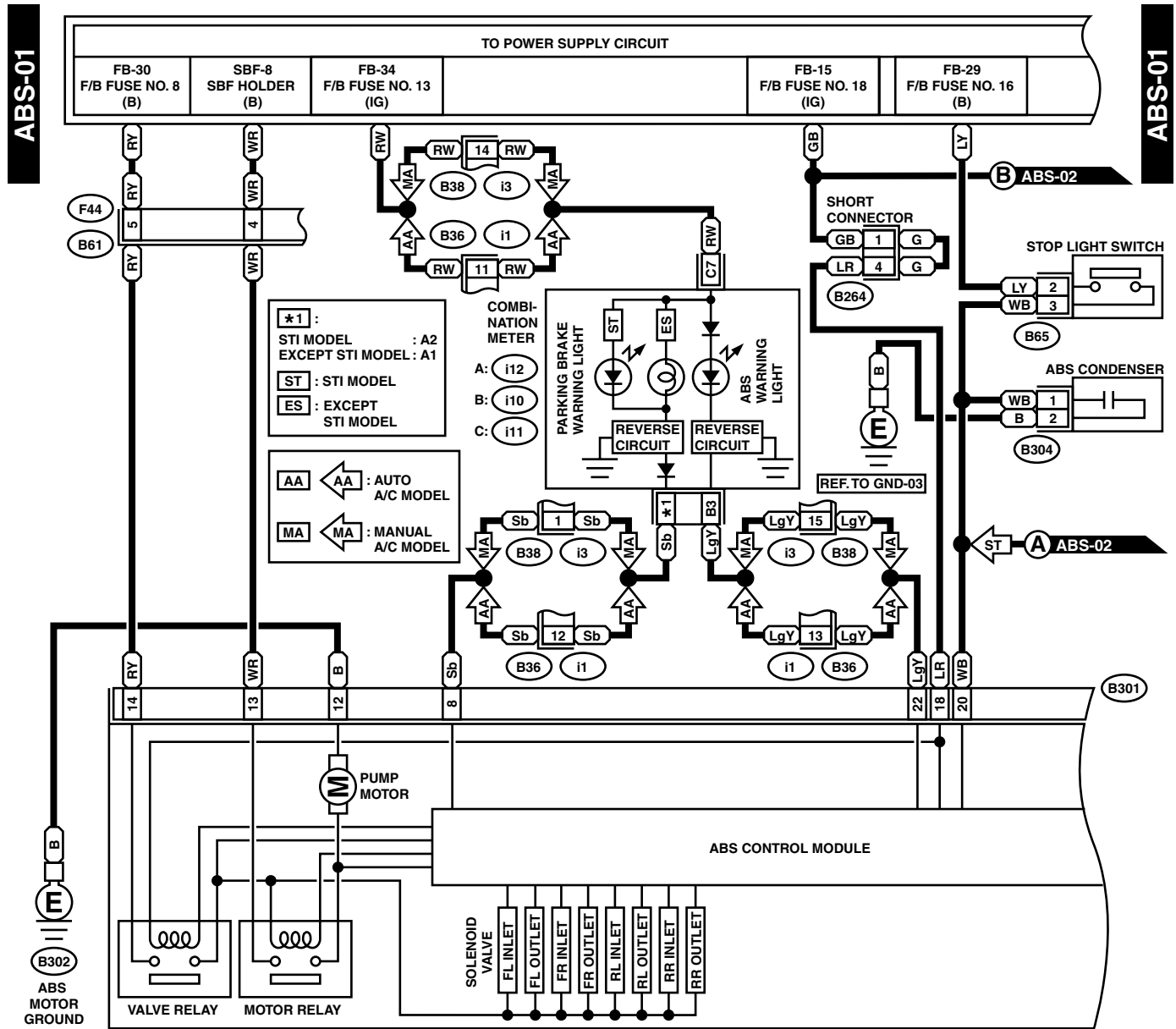


REF. TO GND-01*02

WI-08933

8. Anti-lock Brake System

A: WIRING DIAGRAM



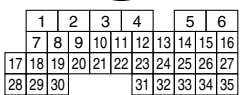
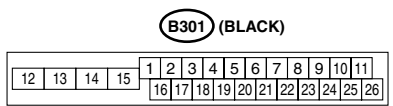
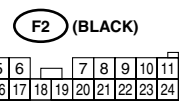
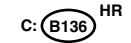
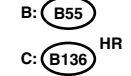
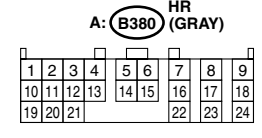
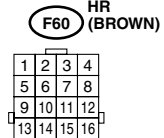
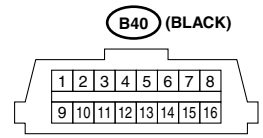
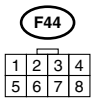
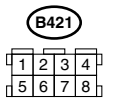
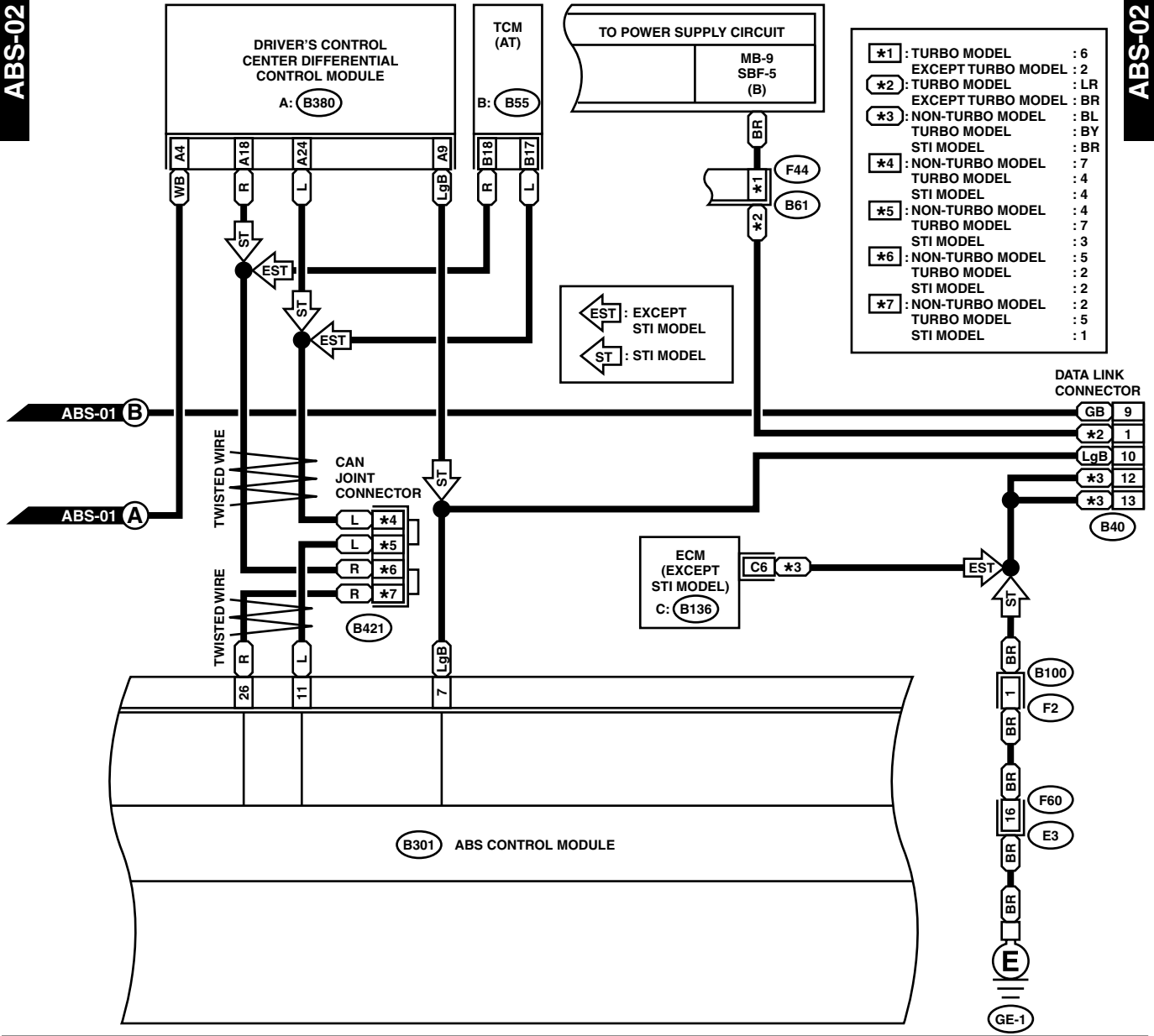
WI-08934

Anti-lock Brake System

WIRING SYSTEM

ABS-02

ABS-02



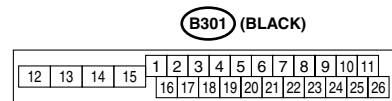
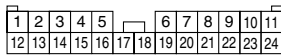
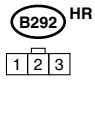
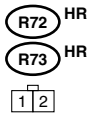
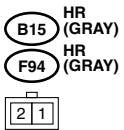
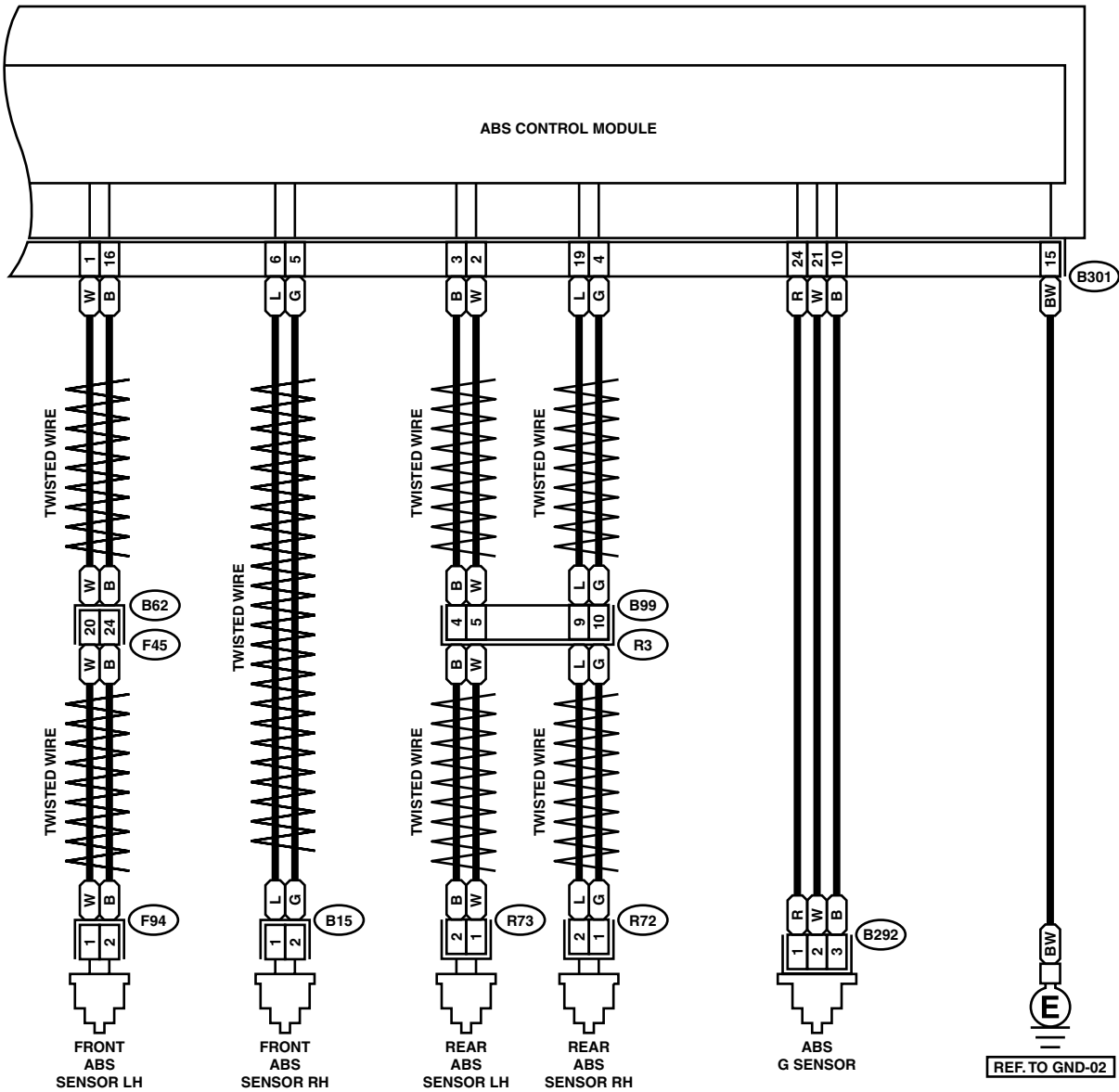
WI-08935

Anti-lock Brake System

WIRING SYSTEM

ABS-03

ABS-03



WI-08936

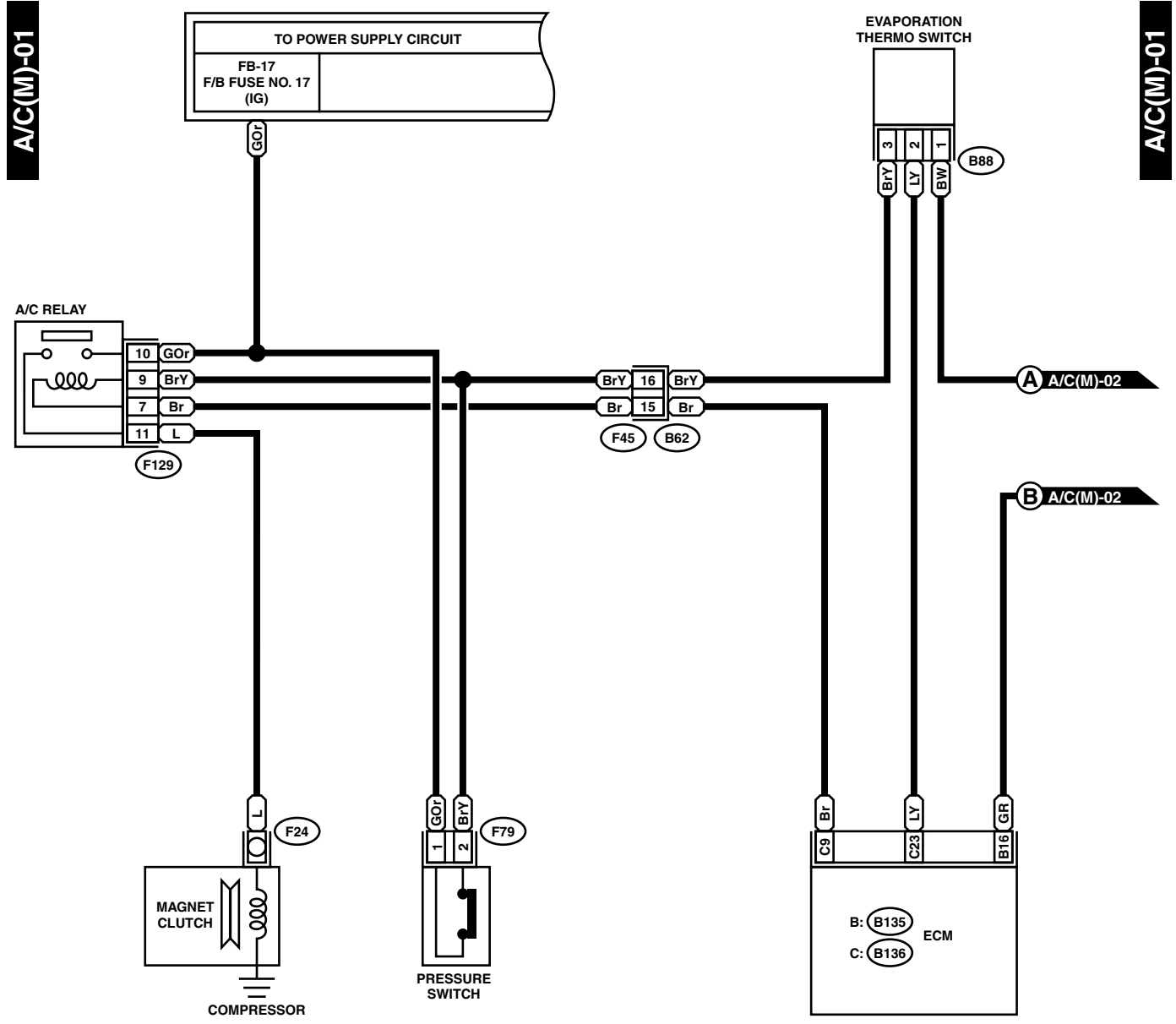
Air Conditioning System

WIRING SYSTEM

9. Air Conditioning System

A: WIRING DIAGRAM

1. MANUAL A/C MODEL

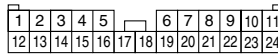
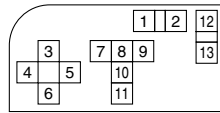


F79 (GRAY)

B88 (BROWN)

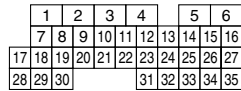
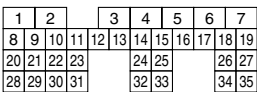
F129 (BLACK)

F45



B: B135 HR

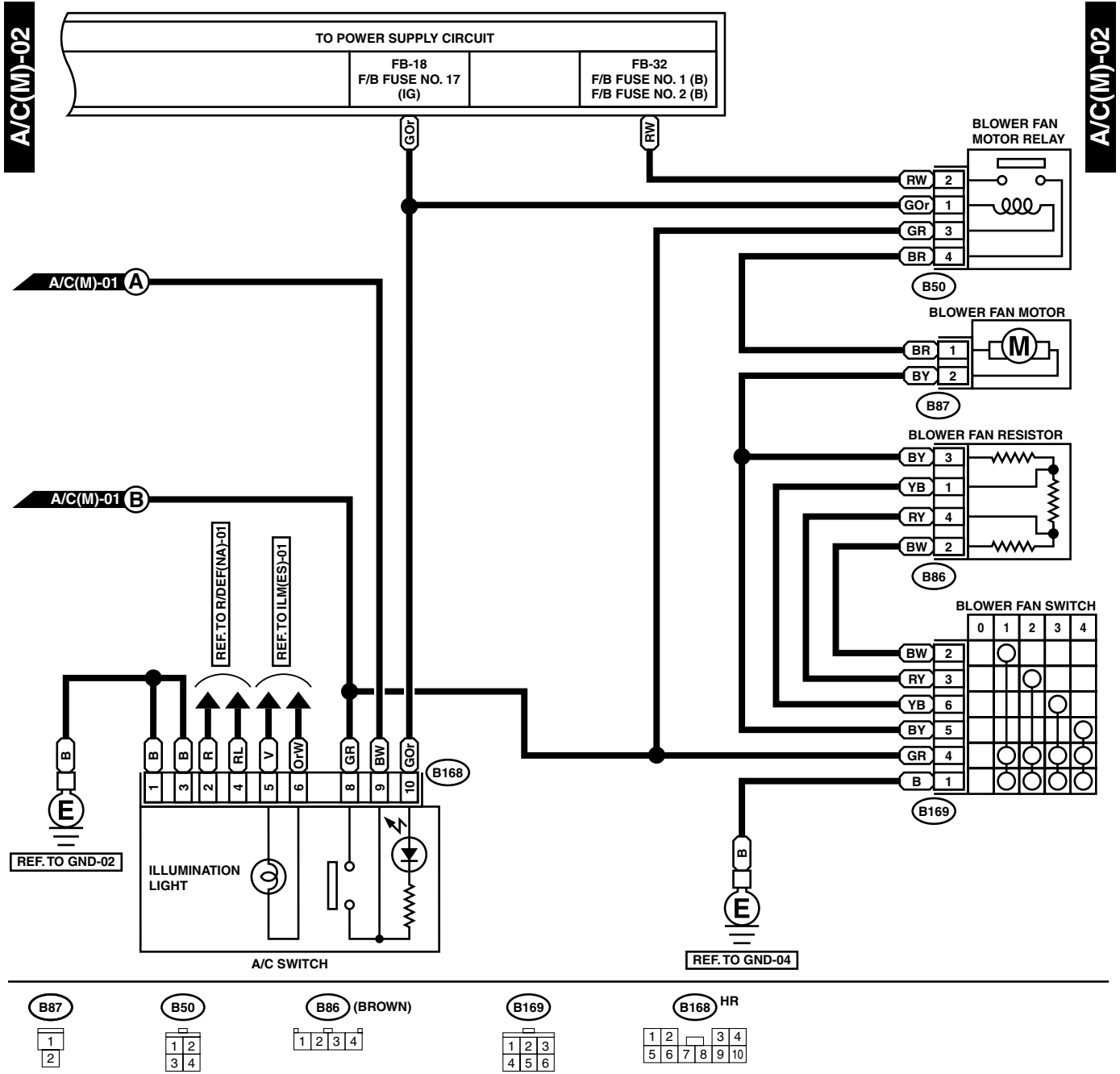
C: B136 HR



WI-10491

Air Conditioning System

WIRING SYSTEM

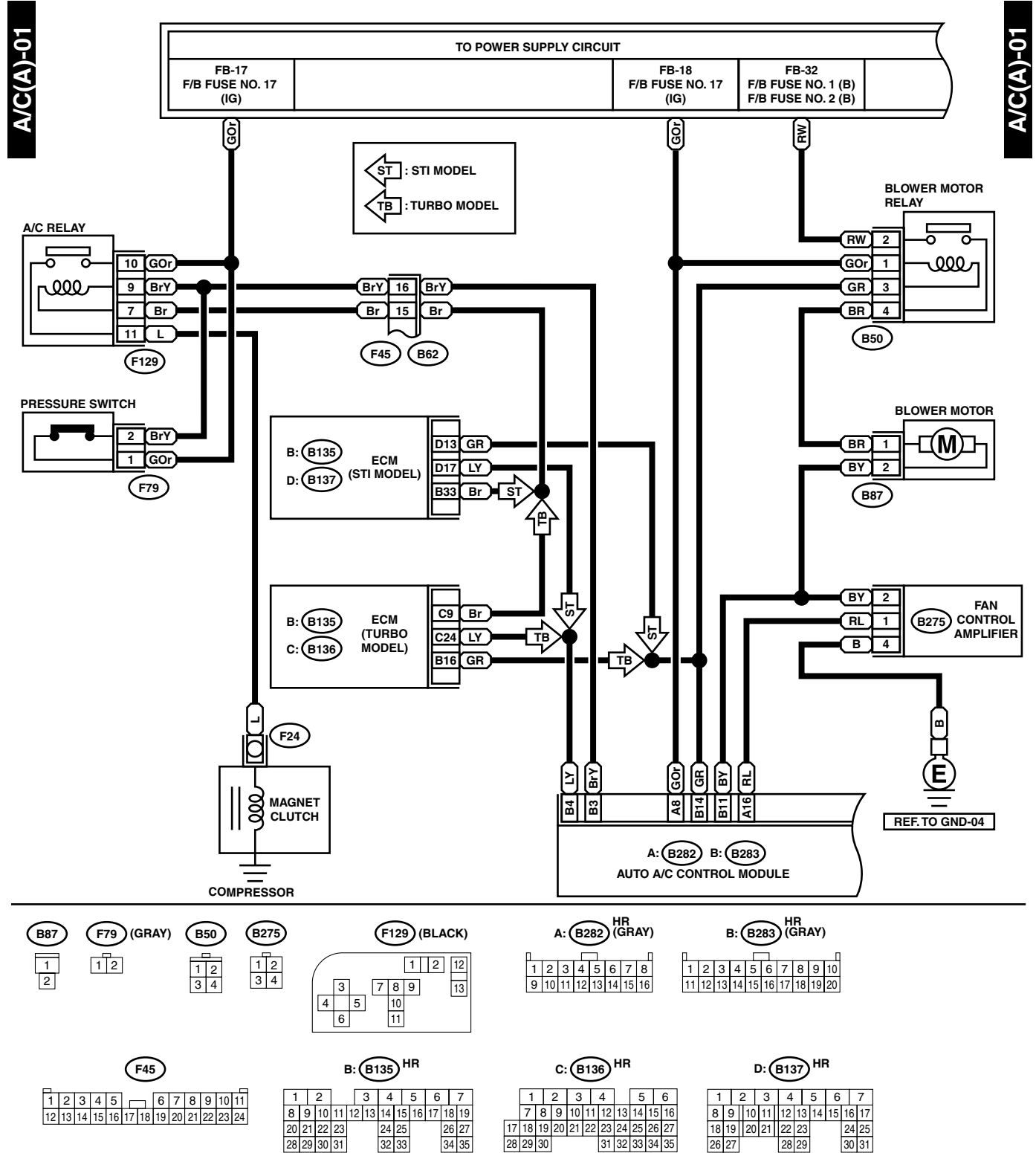


WI-08938

Air Conditioning System

WIRING SYSTEM

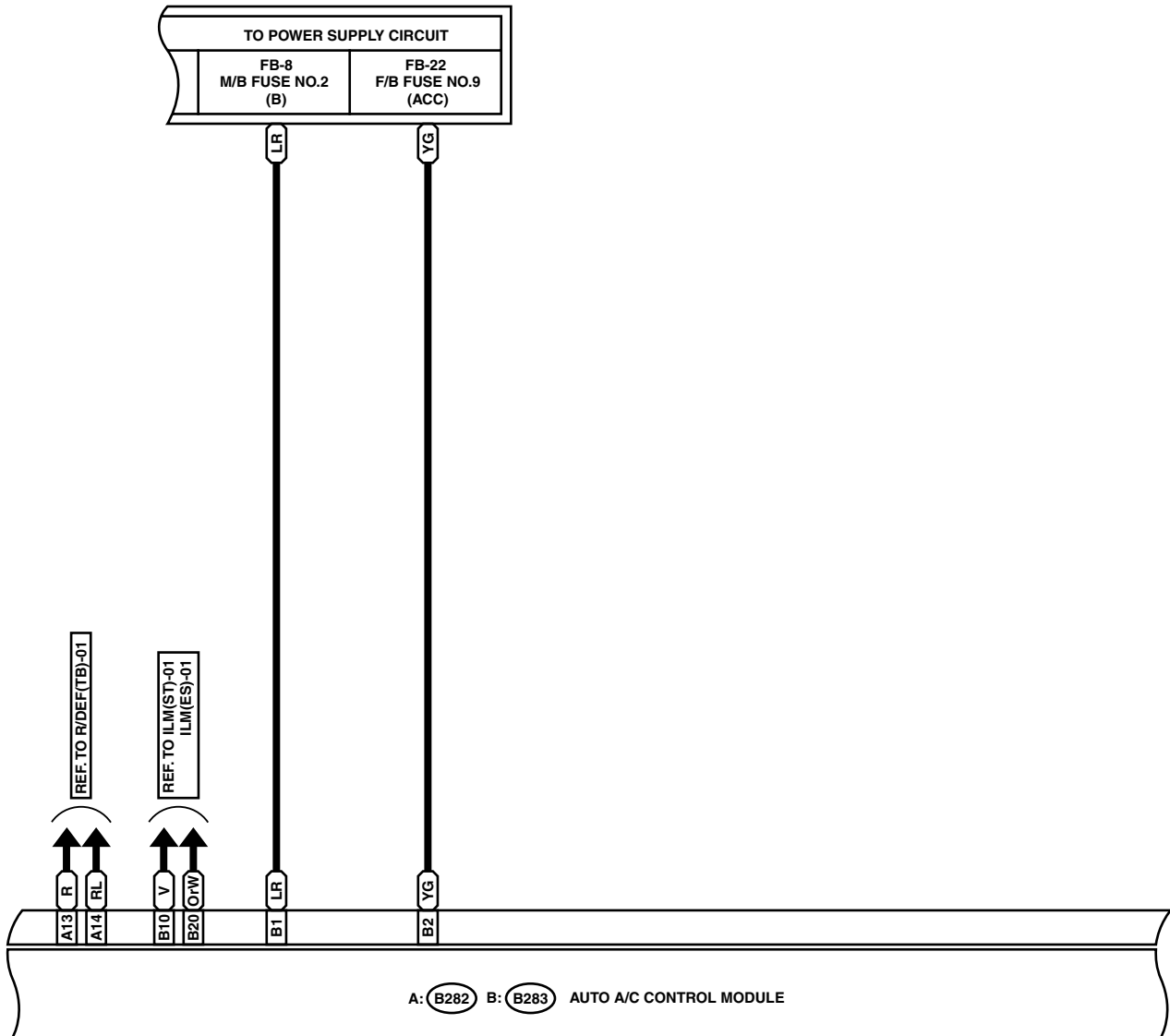
2. AUTO A/C MODEL



WI-10492

A/C(A)-02

A/C(A)-02



A: (B282) HR (GRAY)

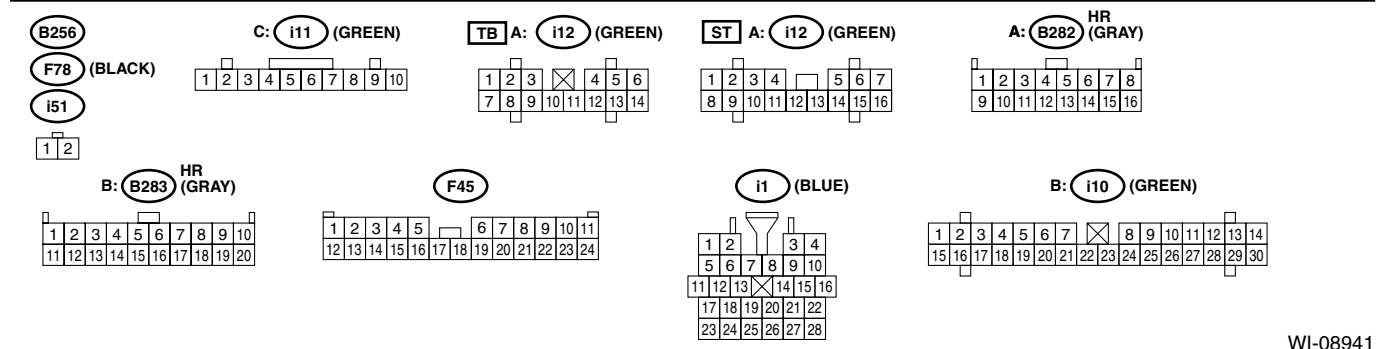
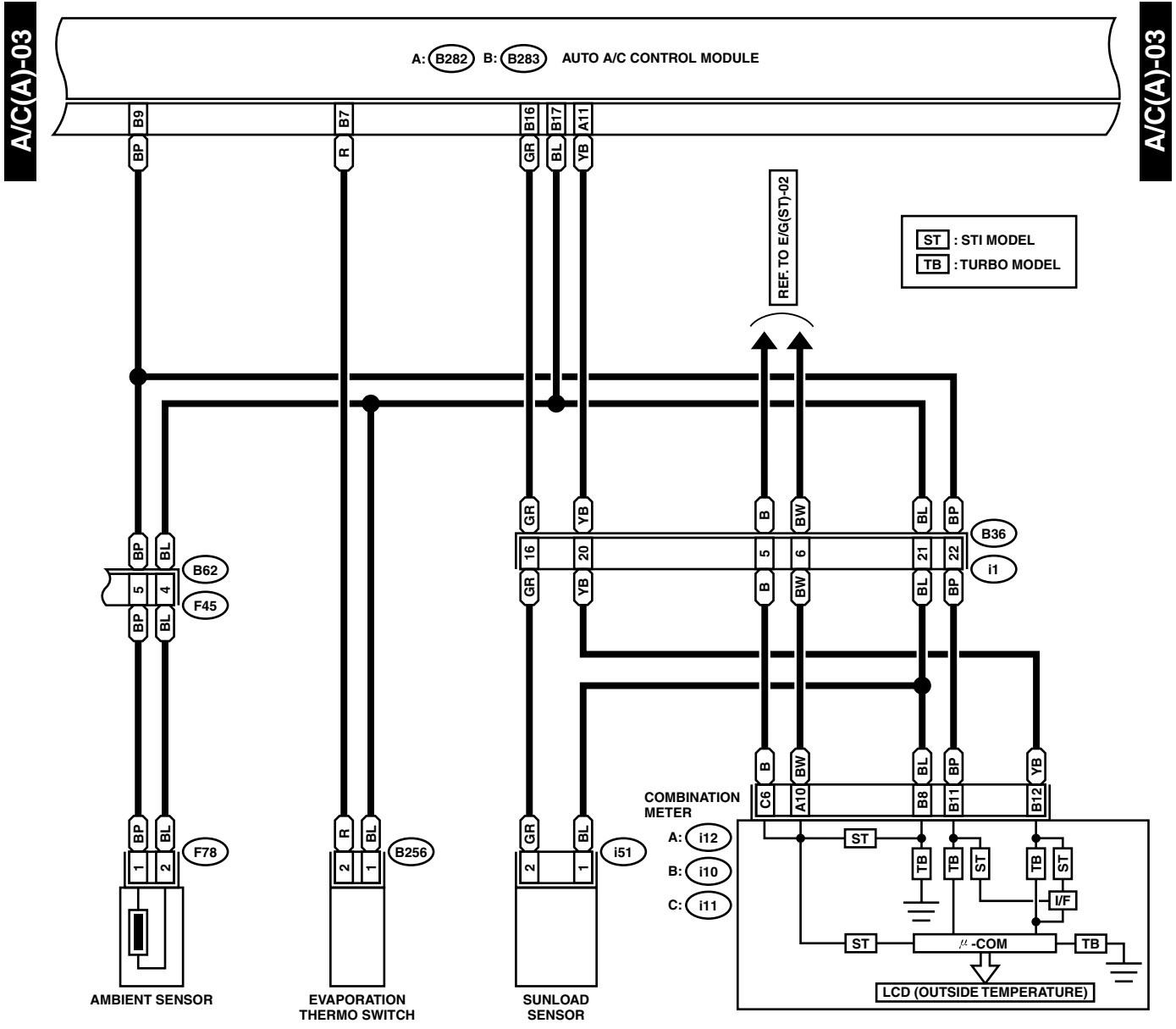
1	2	3	4	5	6	7	8
9	10	11	12	13	14	15	16

B: (B283) HR (GRAY)

1	2	3	4	5	6	7	8	9	10
11	12	13	14	15	16	17	18	19	20

Air Conditioning System

WIRING SYSTEM



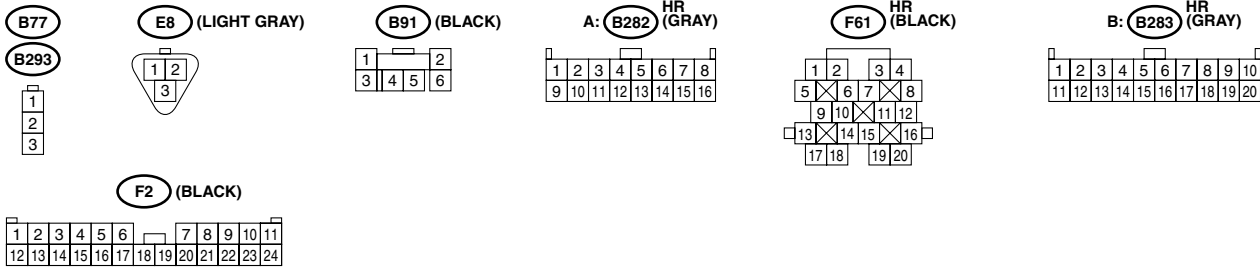
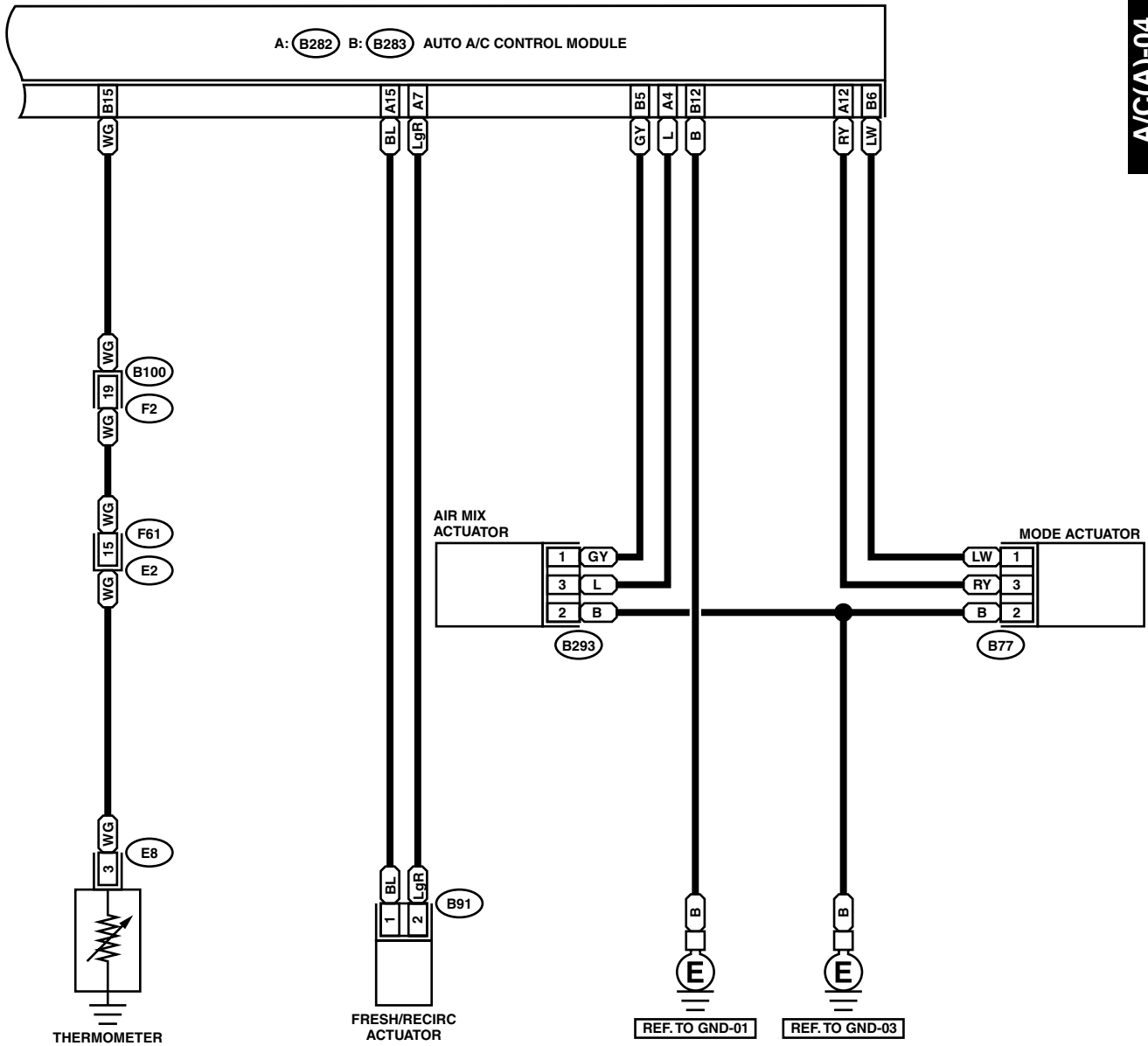
WI-08941

Air Conditioning System

WIRING SYSTEM

A/C(A)-04

A/C(A)-04



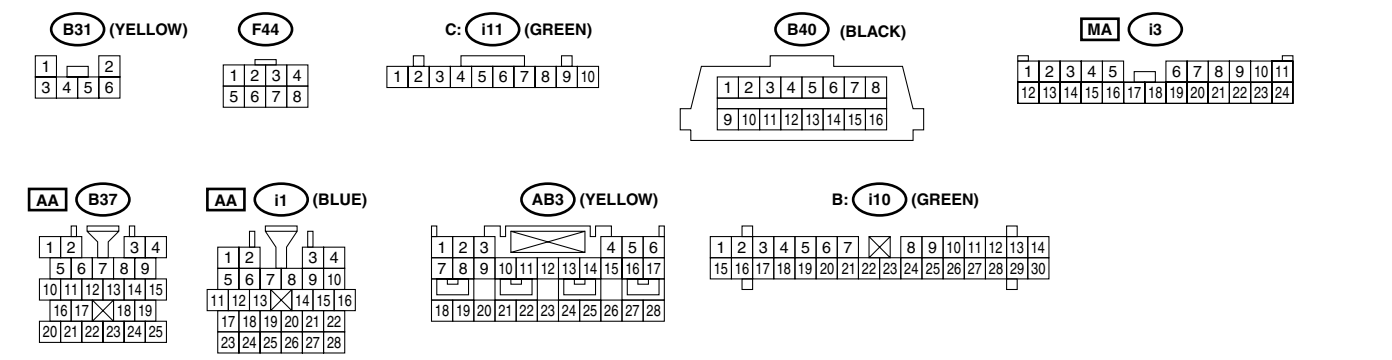
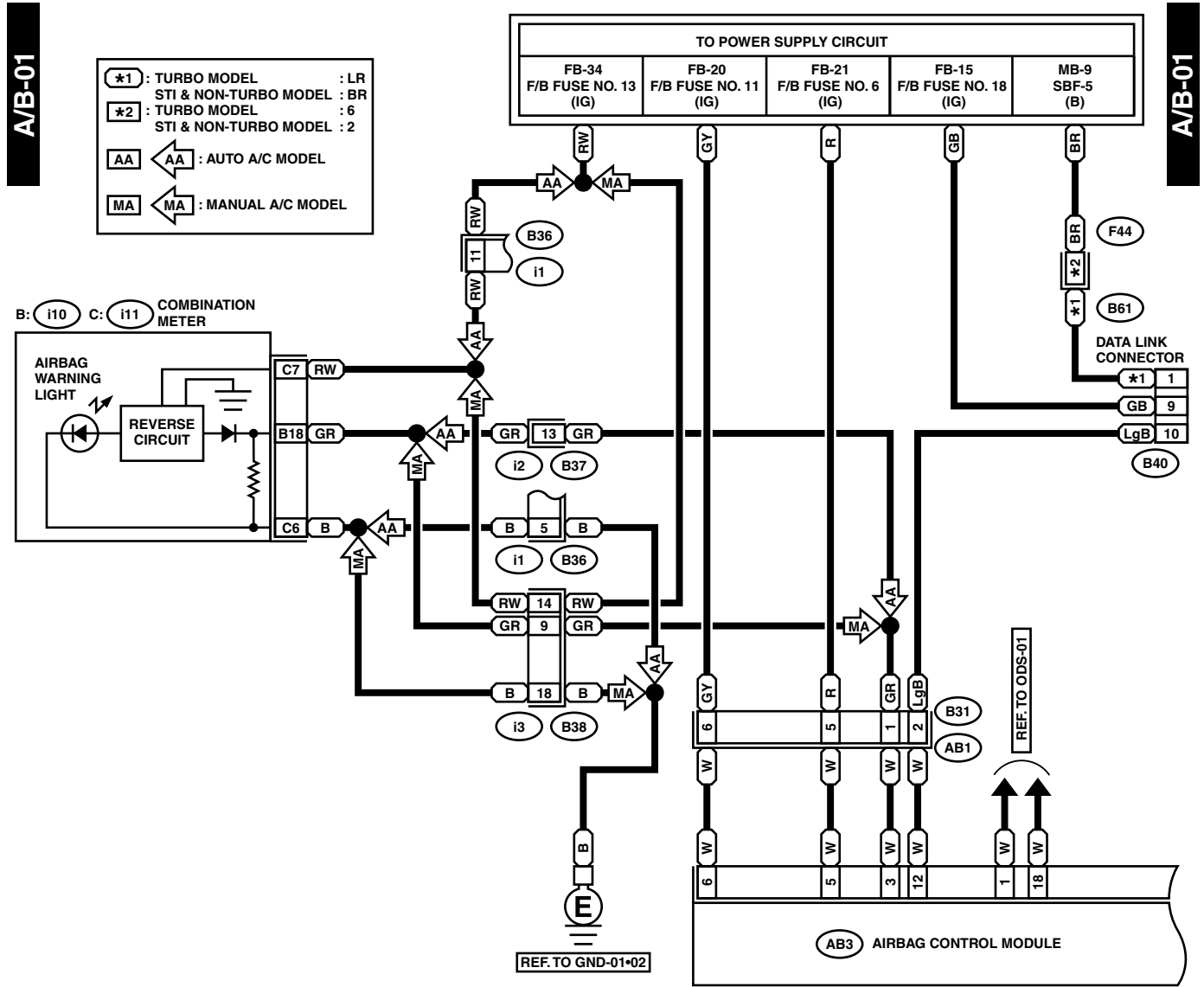
WI-08942

Airbag System

WIRING SYSTEM

10. Airbag System

A: WIRING DIAGRAM



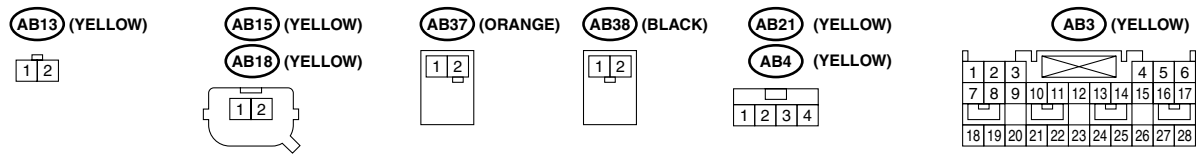
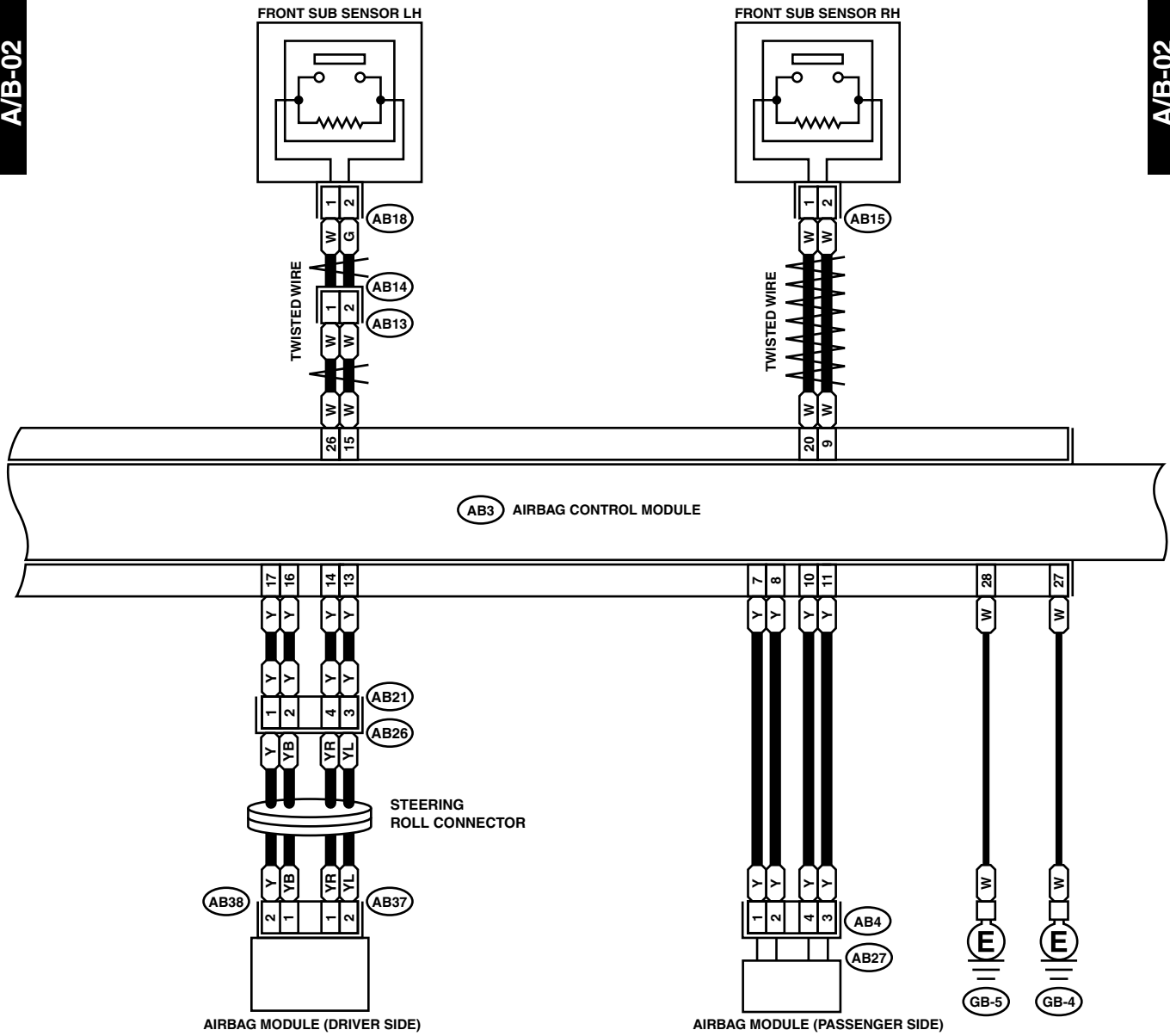
WI-08943

Airbag System

WIRING SYSTEM

A/B-02

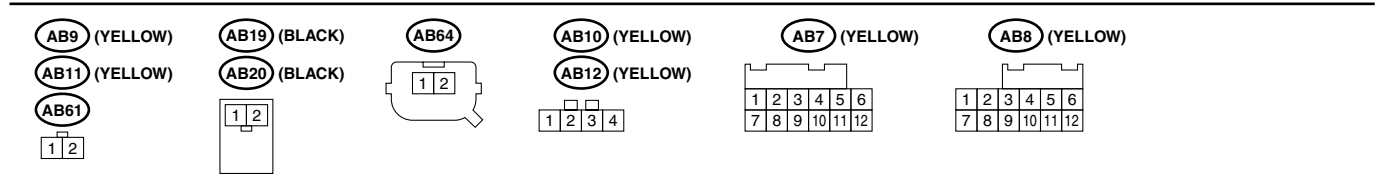
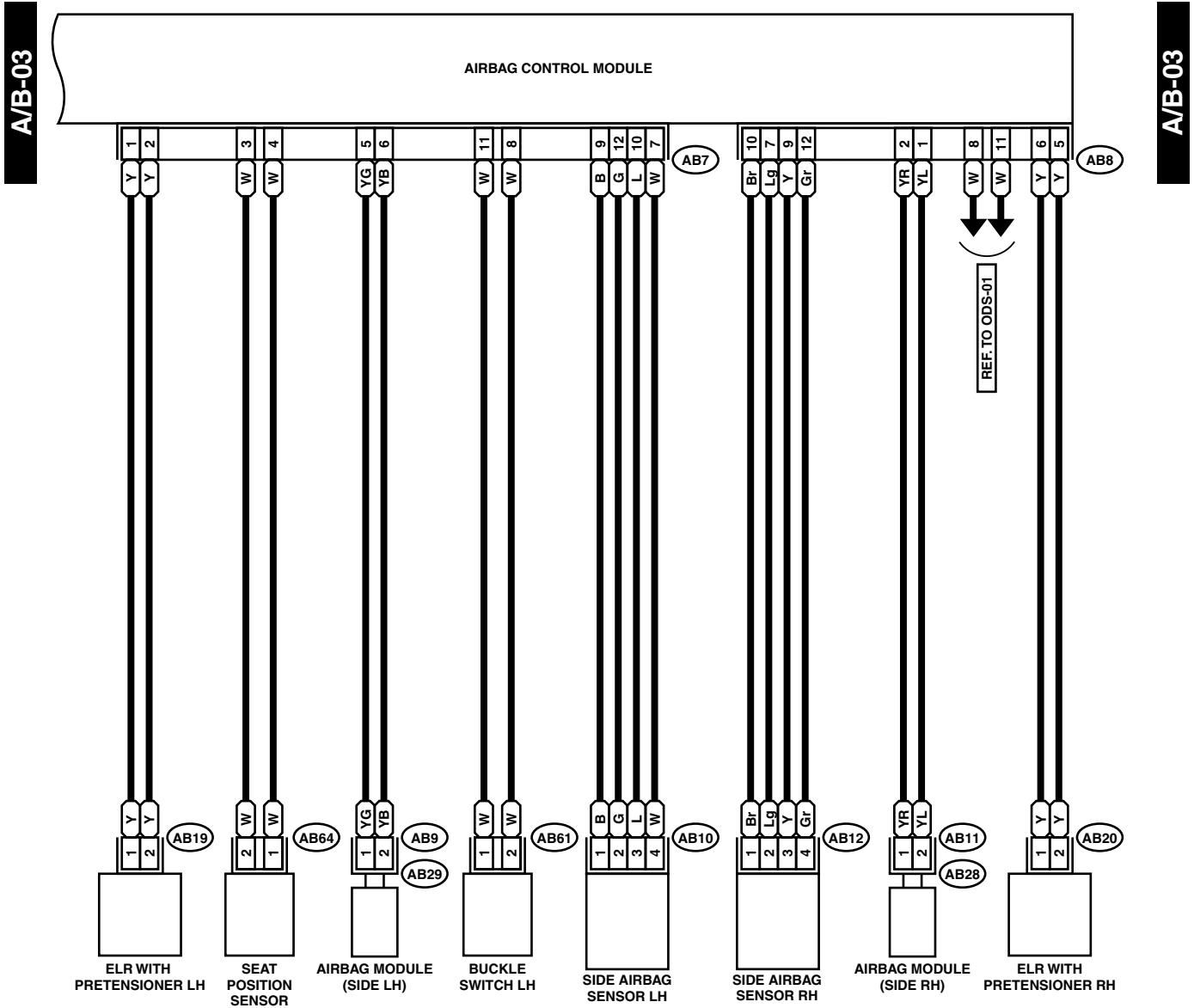
A/B-02



WI-08944

Airbag System

WIRING SYSTEM



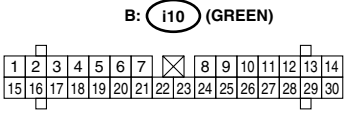
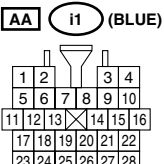
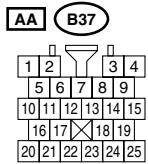
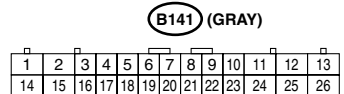
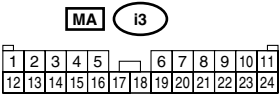
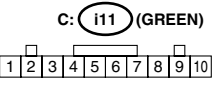
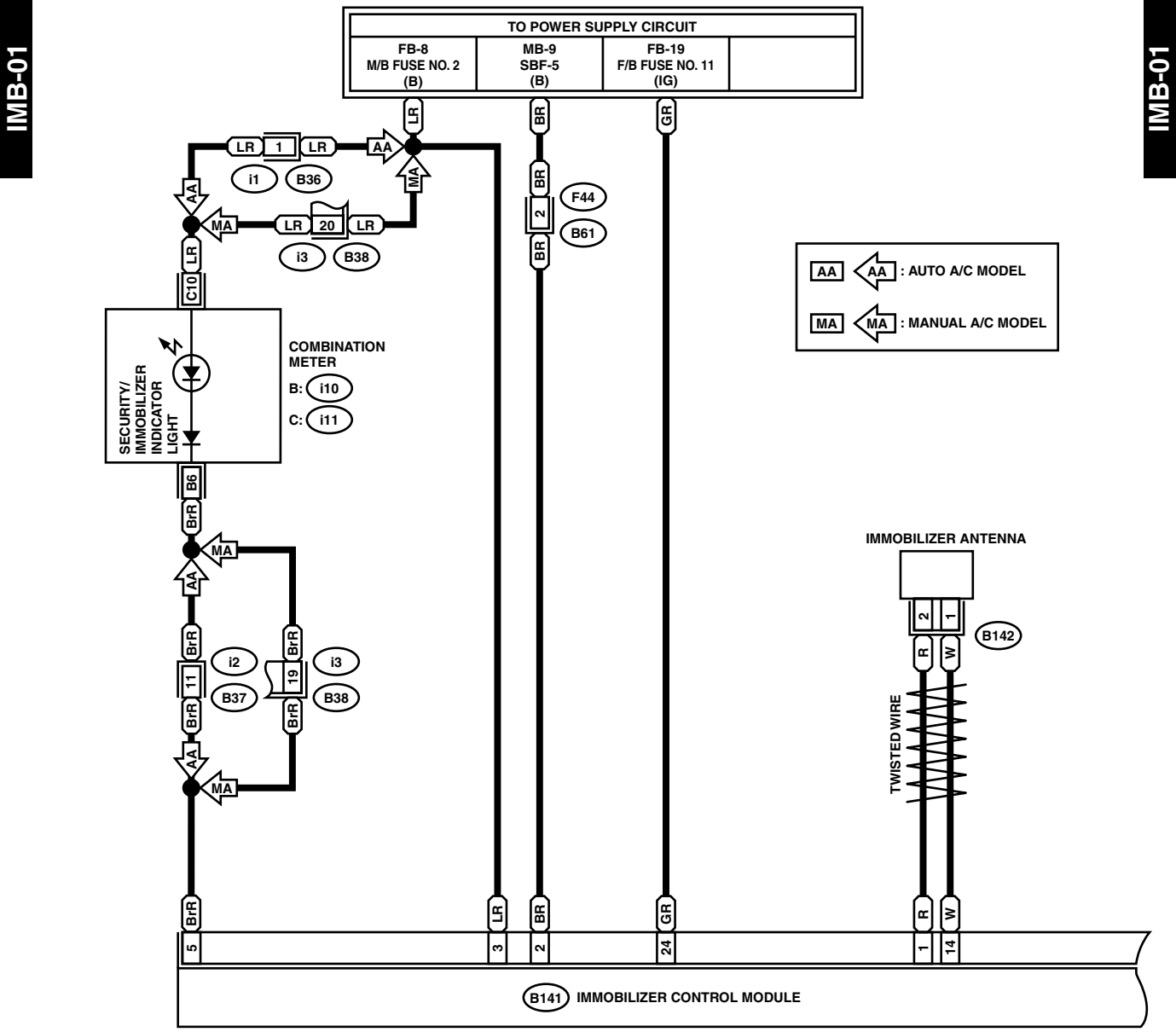
WI-08945

Immobilizer System

WIRING SYSTEM

12. Immobilizer System

A: WIRING DIAGRAM



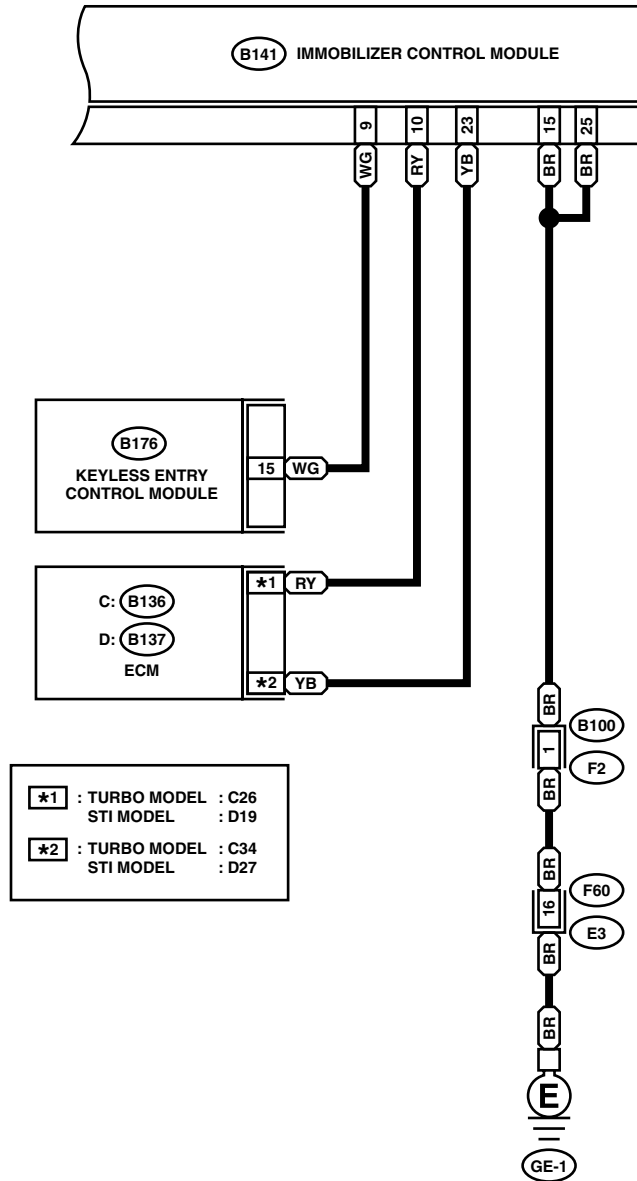
WI-08946

Immobilizer System

WIRING SYSTEM

IMB-02

IMB-02



F60 HR (BROWN)

1	2	3	4
5	6	7	8
9	10	11	12
13	14	15	16

F2 (BLACK)

1	2	3	4	5	6	7	8	9	10	11		
12	13	14	15	16	17	18	19	20	21	22	23	24

B141 HR (GRAY)

B176 (GRAY)

1	2	3	4	5	6	7	8	9	10	11	12	13
14	15	16	17	18	19	20	21	22	23	24	25	26

C: B136 HR

1	2	3	4	5	6					
7	8	9	10	11	12	13	14	15	16	
17	18	19	20	21	22	23	24	25	26	27
28	29	30	31	32	33	34	35			

D: B137 HR

1	2	3	4	5	6	7			
8	9	10	11	12	13	14	15	16	17
18	19	20	21	22	23	24	25		
26	27	28	29	30	31				

WI-08947

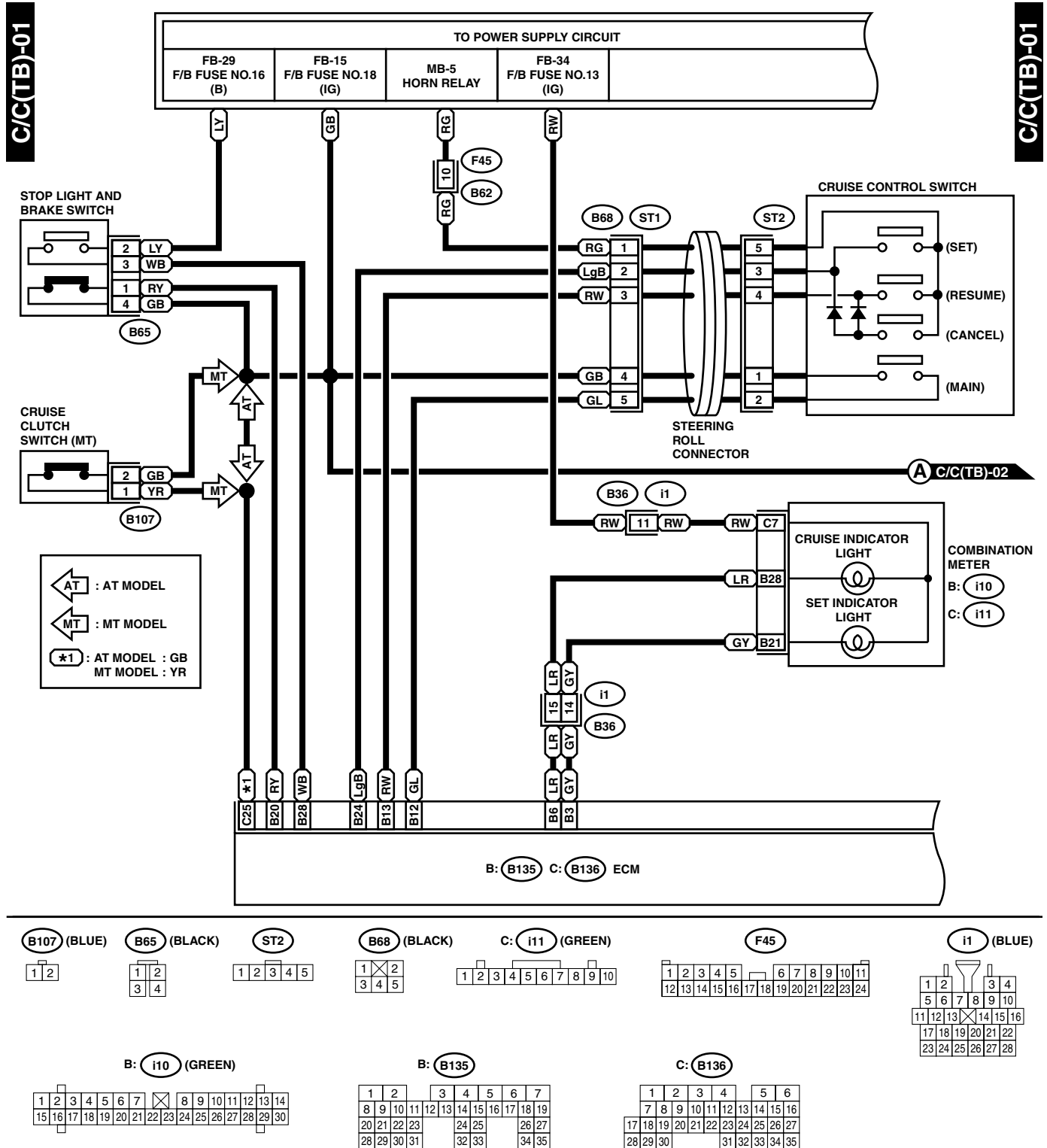
Cruise Control System

WIRING SYSTEM

13. Cruise Control System

A: WIRING DIAGRAM

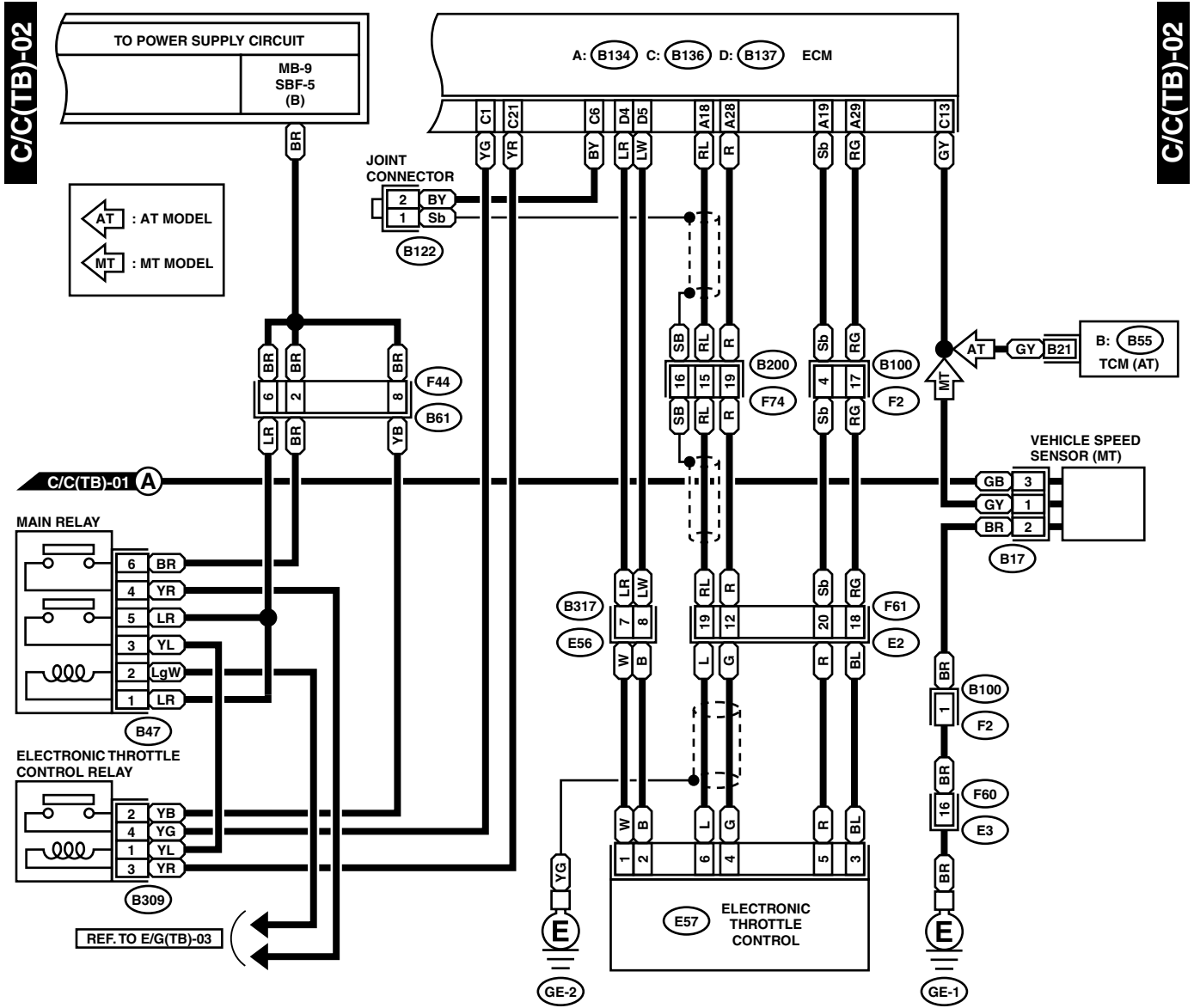
1. TURBO MODEL



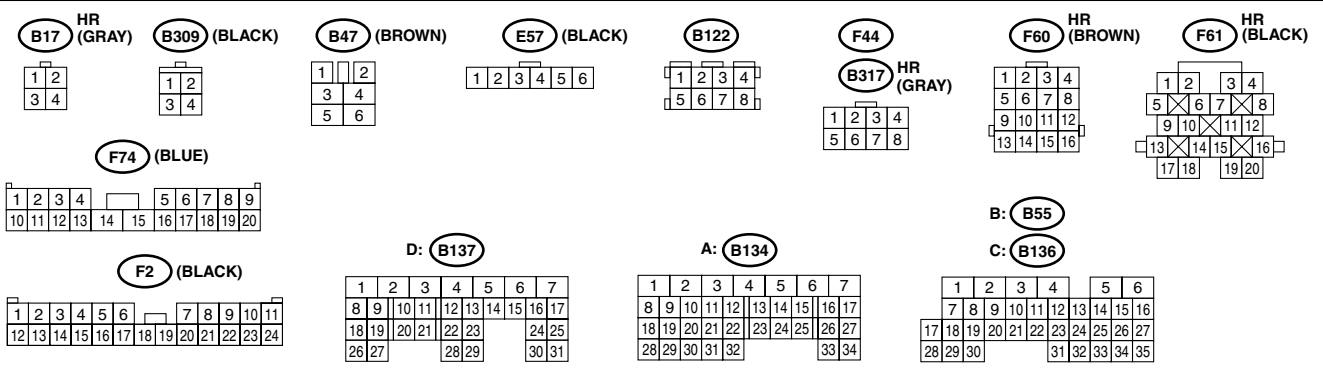
WI-08948

Cruise Control System

WIRING SYSTEM



C/C(TB)-02

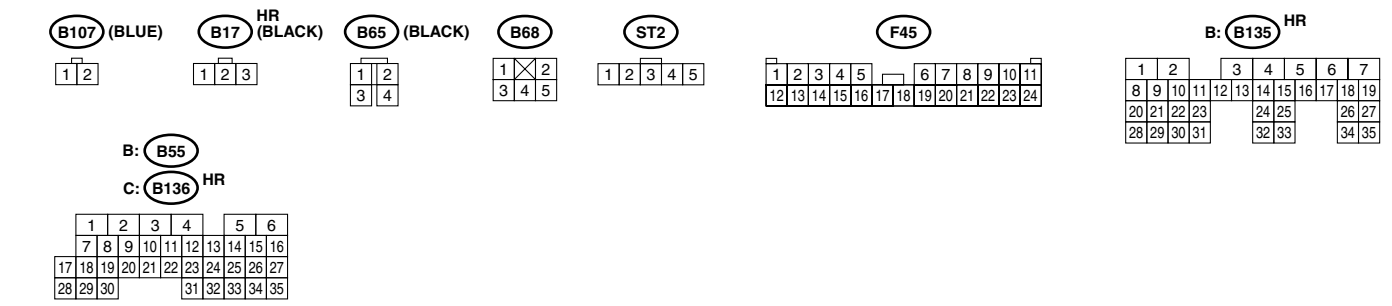
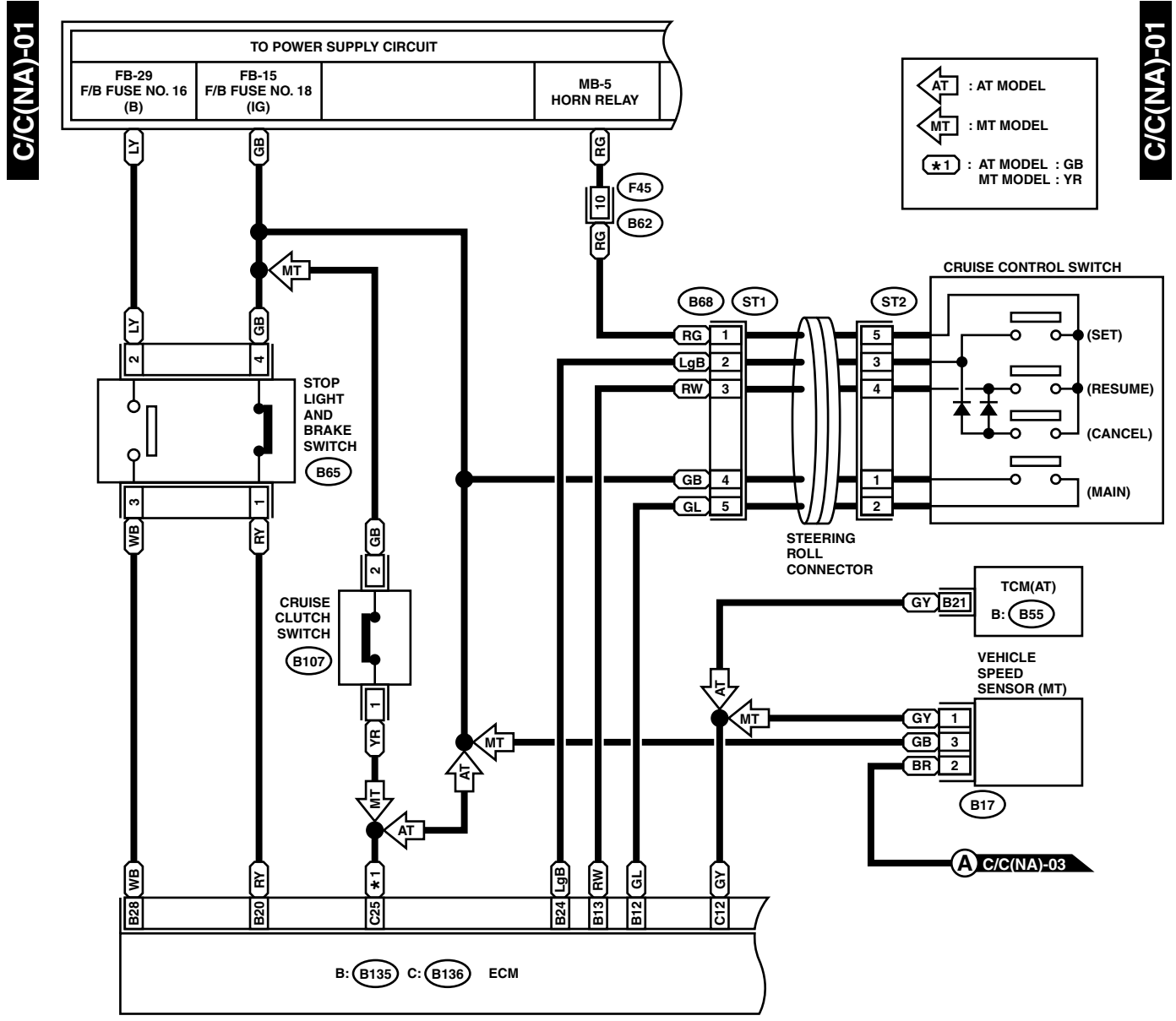


WI-10494

Cruise Control System

WIRING SYSTEM

2. NON-TURBO MODEL



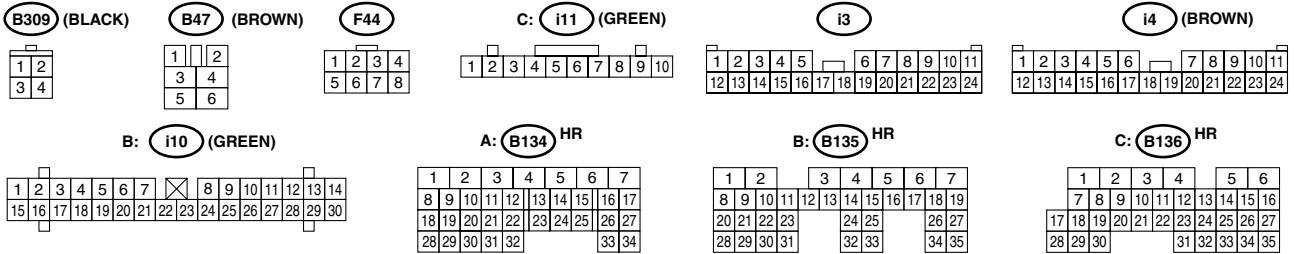
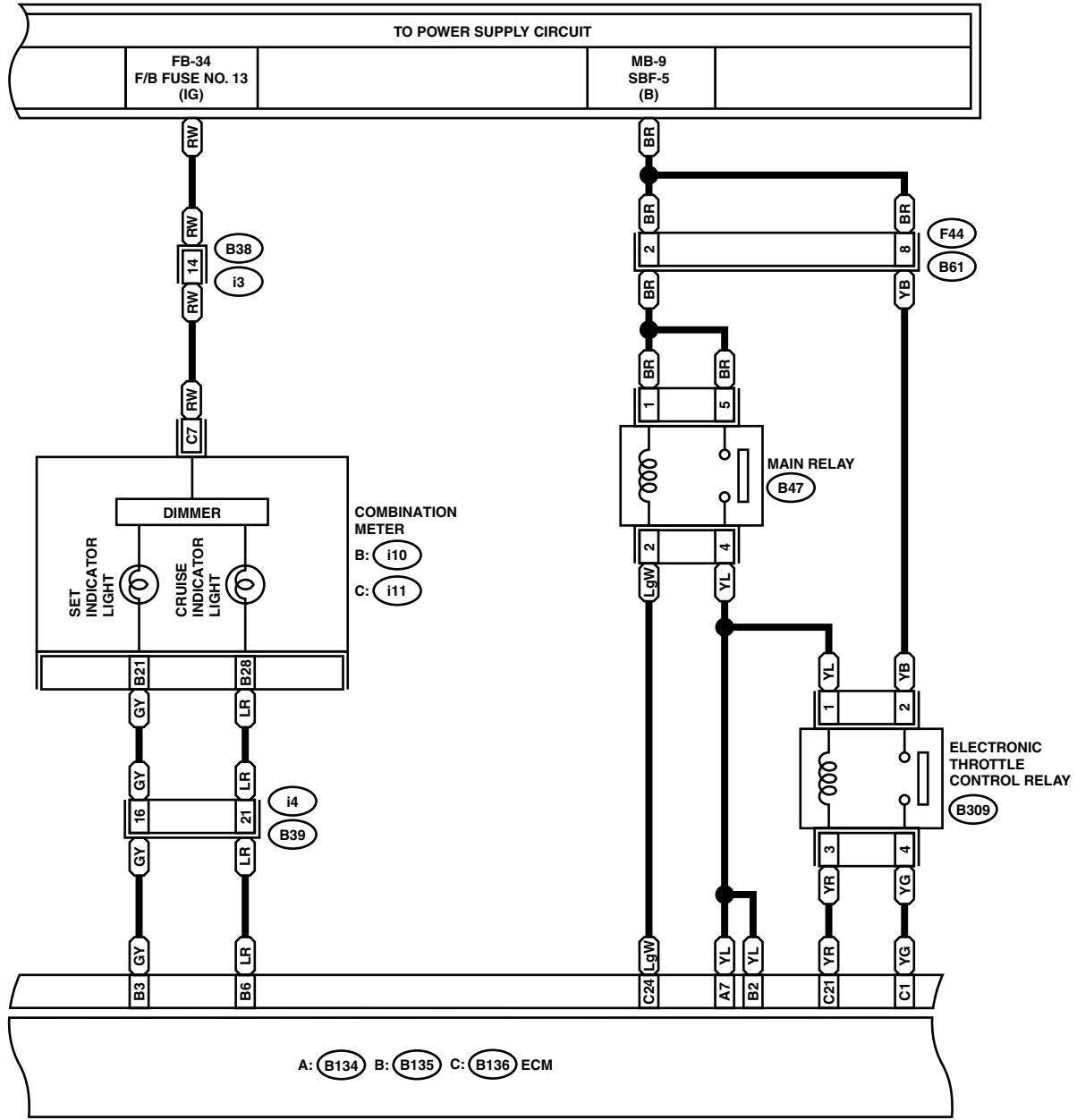
WI-10495

Cruise Control System

WIRING SYSTEM

C/C(NA)-02

C/C(NA)-02



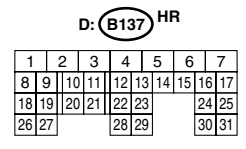
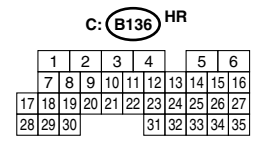
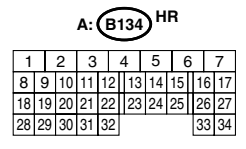
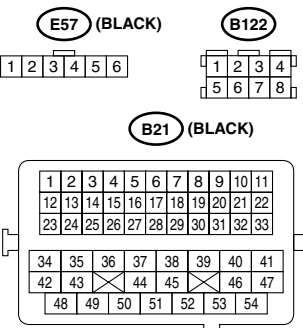
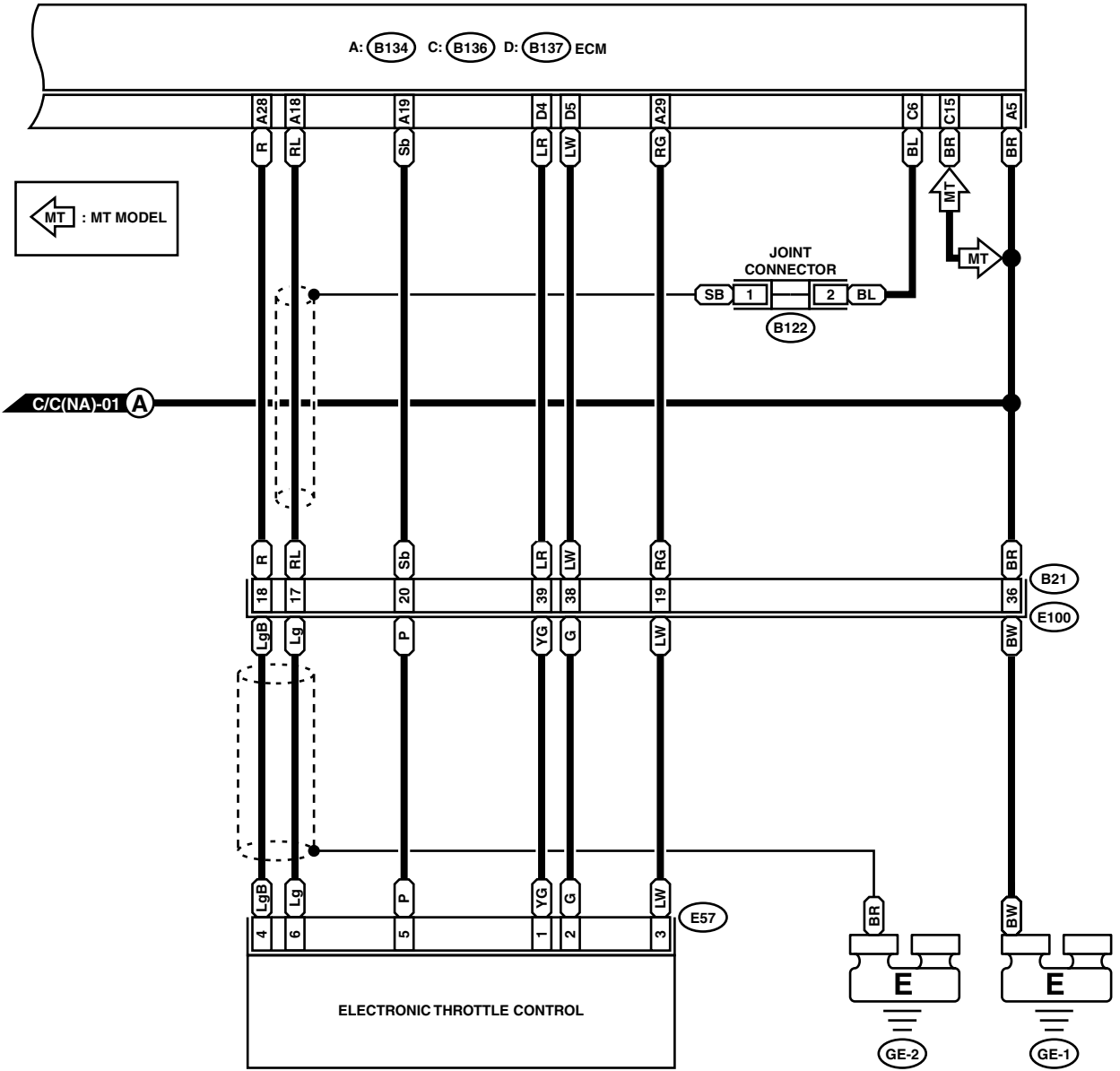
WI-08951

Cruise Control System

WIRING SYSTEM

C/C(NA)-03

C/C(NA)-03

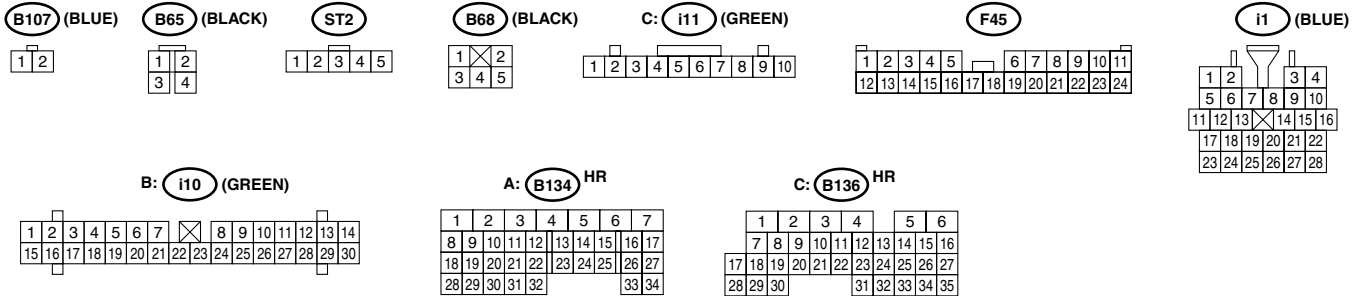
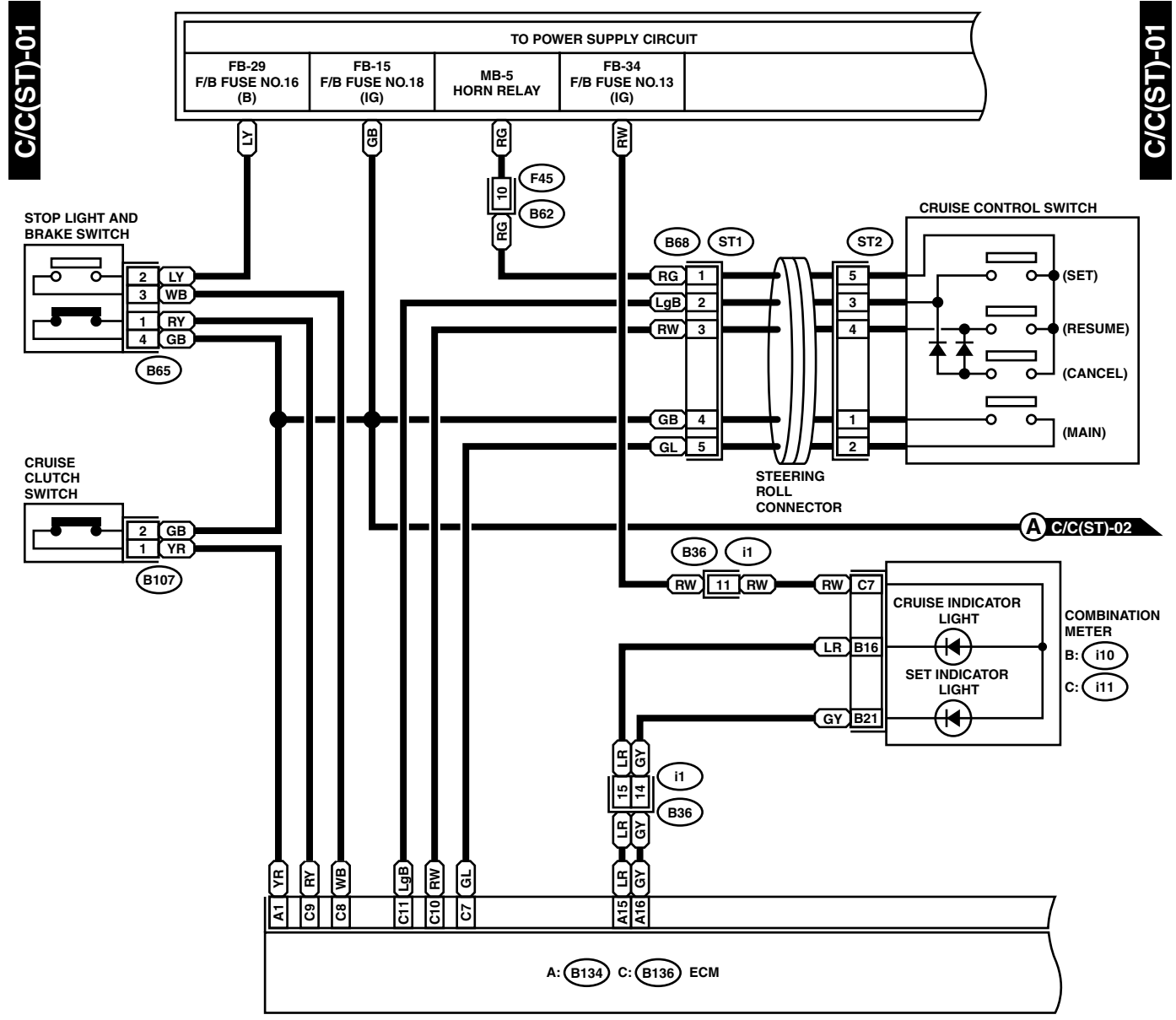


WI-08952

Cruise Control System

WIRING SYSTEM

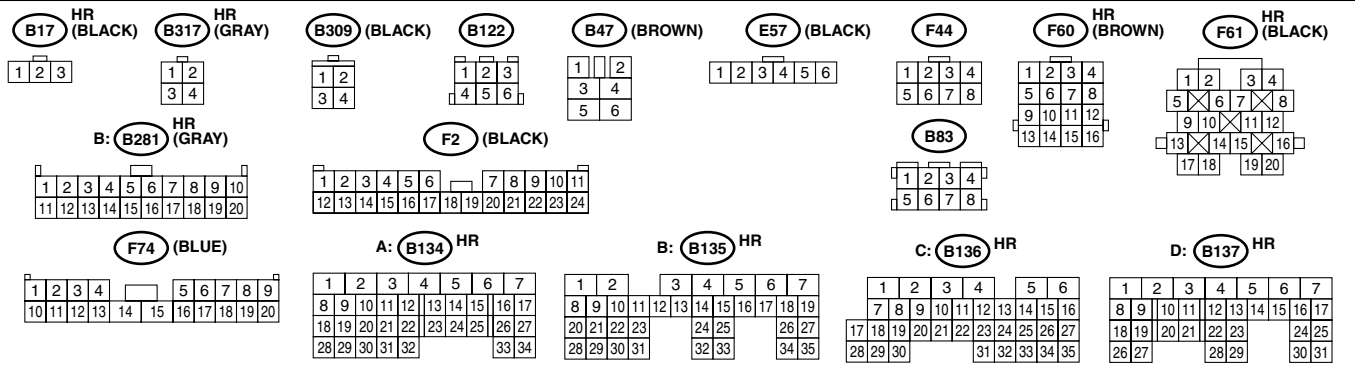
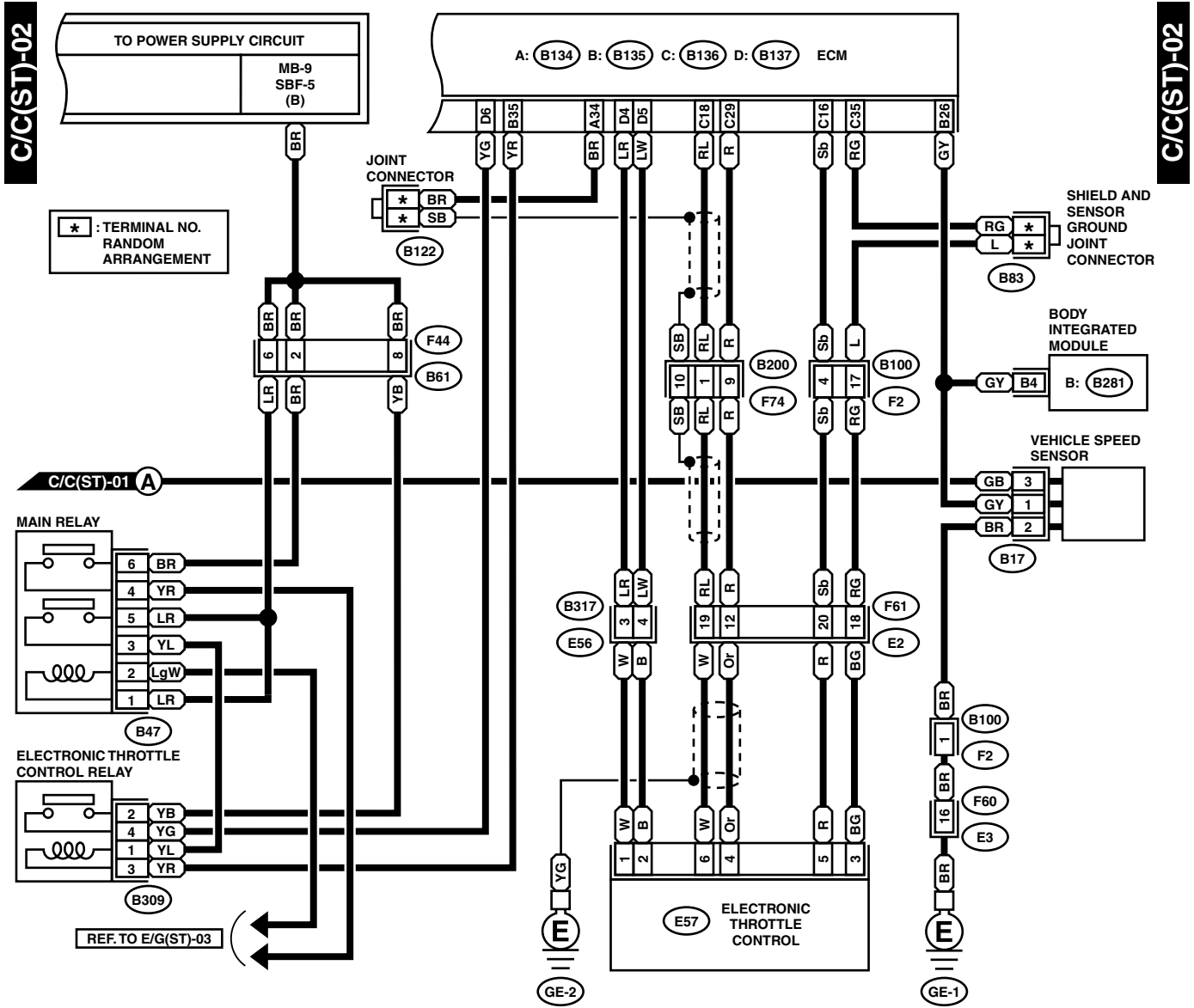
3. STI MODEL



WI-08953

Cruise Control System

WIRING SYSTEM



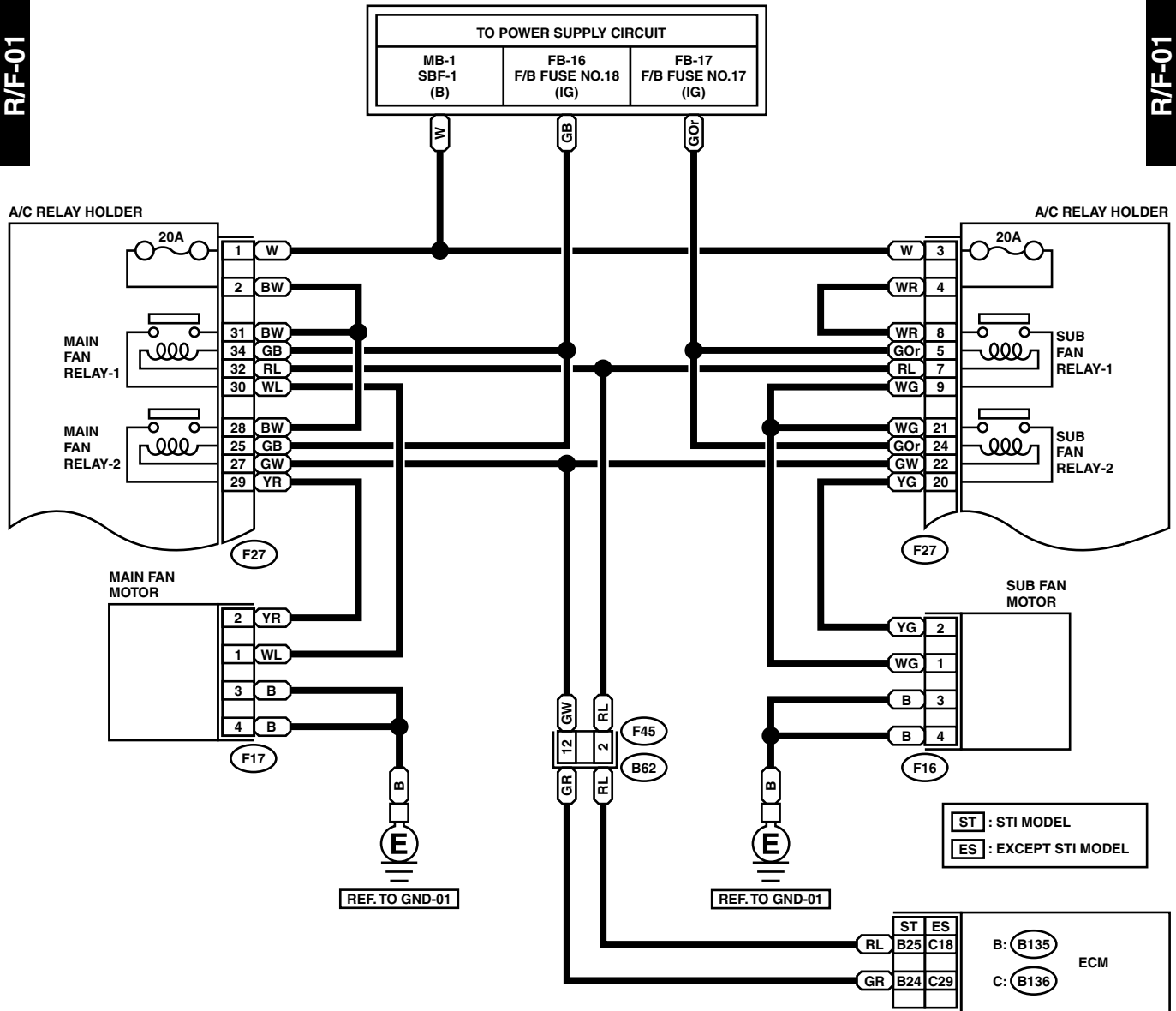
WI-08954

14. Radiator Fan System

A: WIRING DIAGRAM

R/F-01

R/F-01

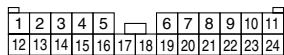


F16 (GRAY)

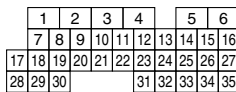
F17 (GRAY)



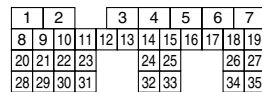
F45



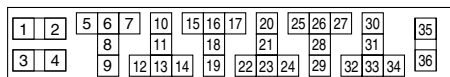
C: B136 HR



B: B135 HR



F27 (BLACK)



RELAY HOLDER

Charging System

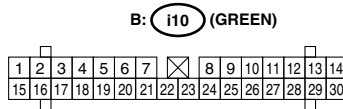
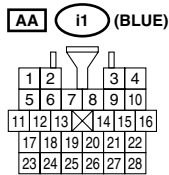
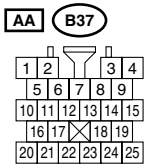
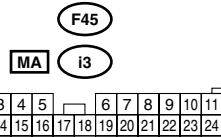
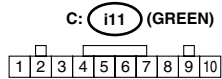
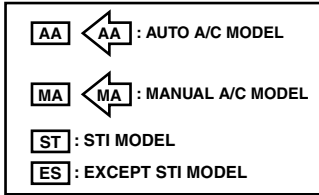
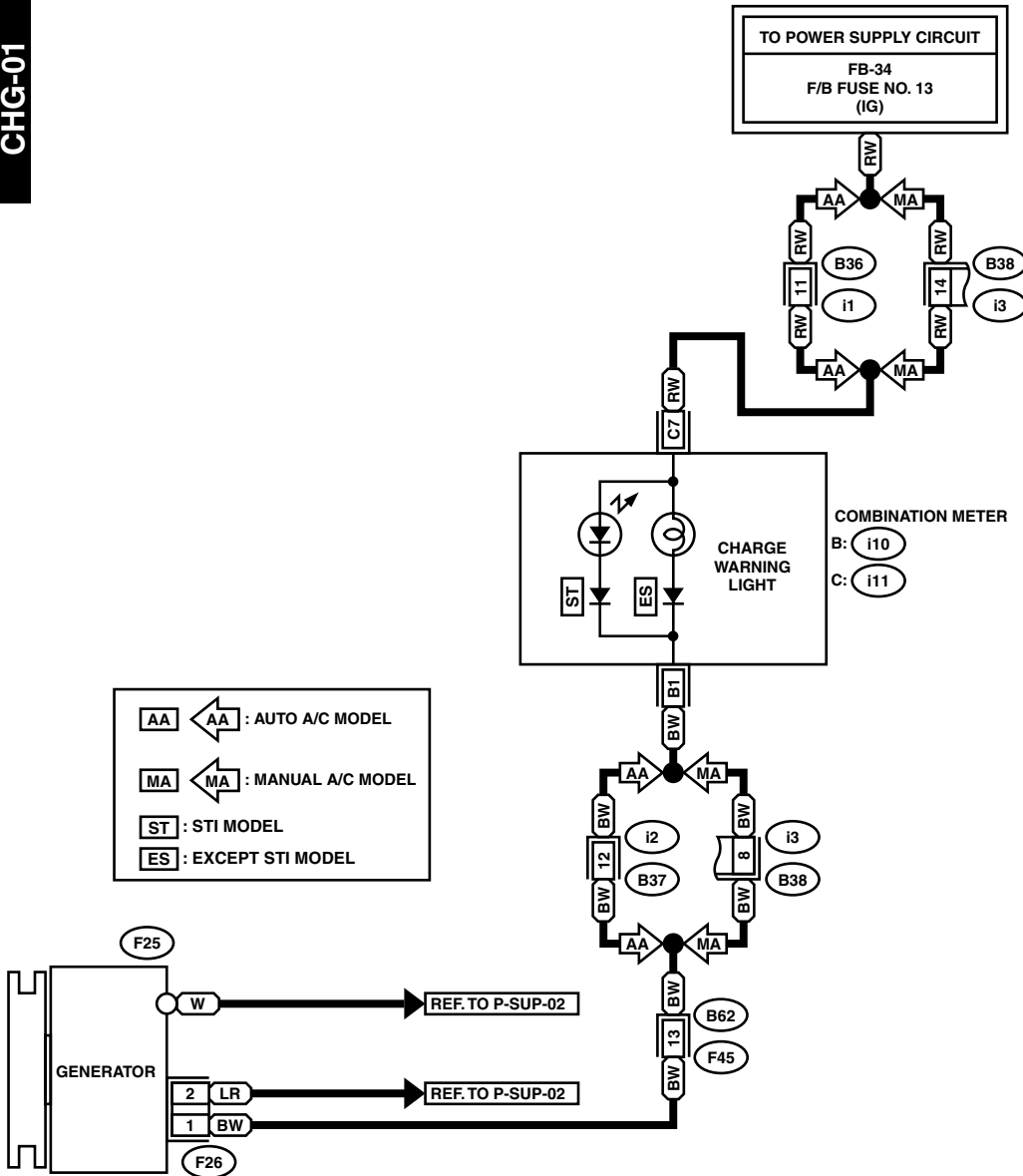
WIRING SYSTEM

15. Charging System

A: WIRING DIAGRAM

CHG-01

CHG-01



WI-08956

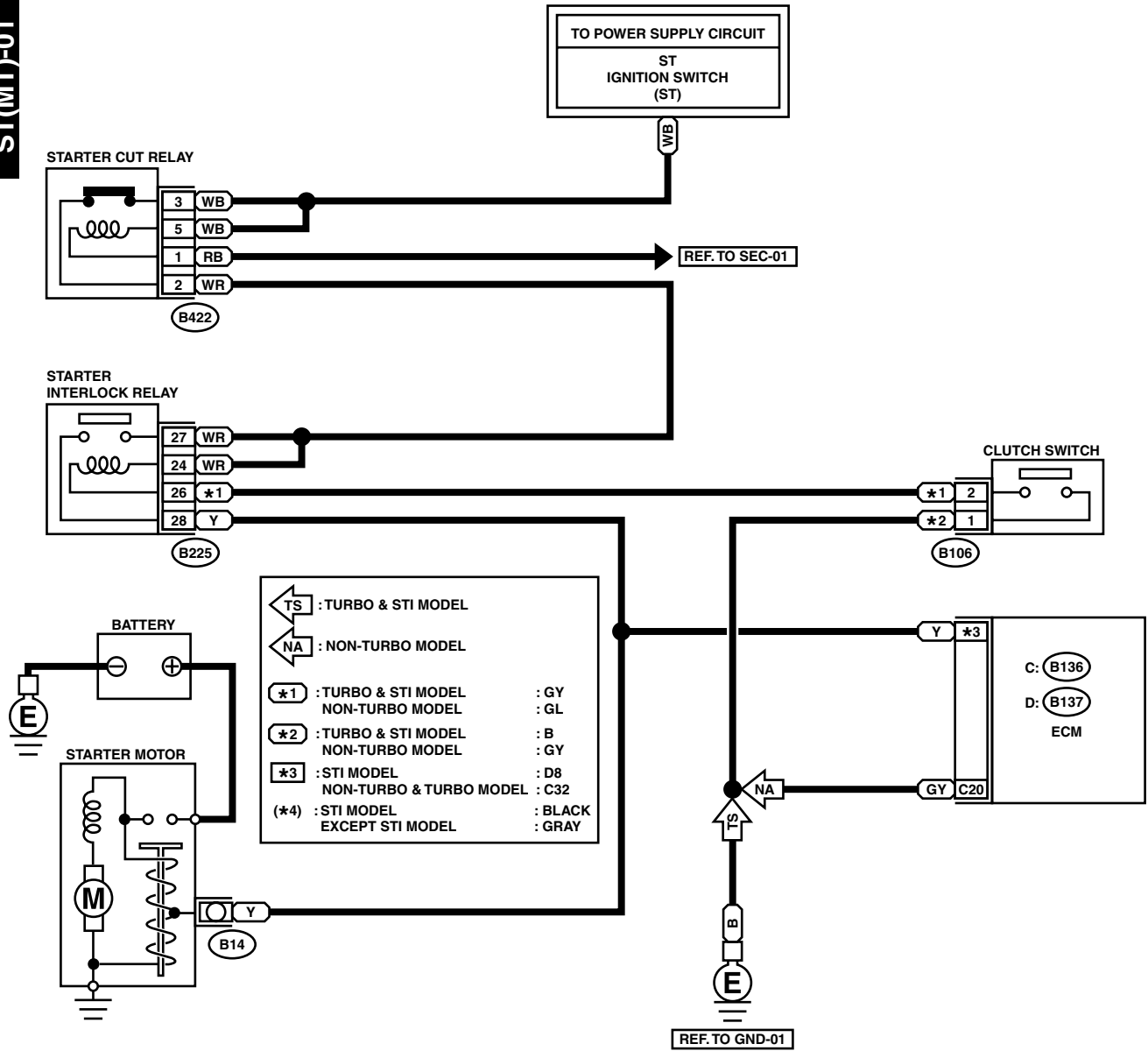
16. Starter System

A: WIRING DIAGRAM

1. MT MODEL

ST(MT)-01

ST(MT)-01



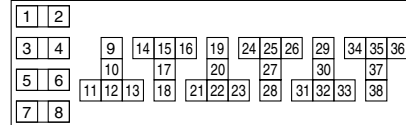
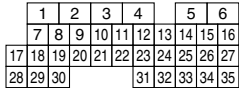
(B106)

(B422) (*4)

C: (B136) HR

D: (B137) HR

(B225) (BLACK)



RELAY BLOCK

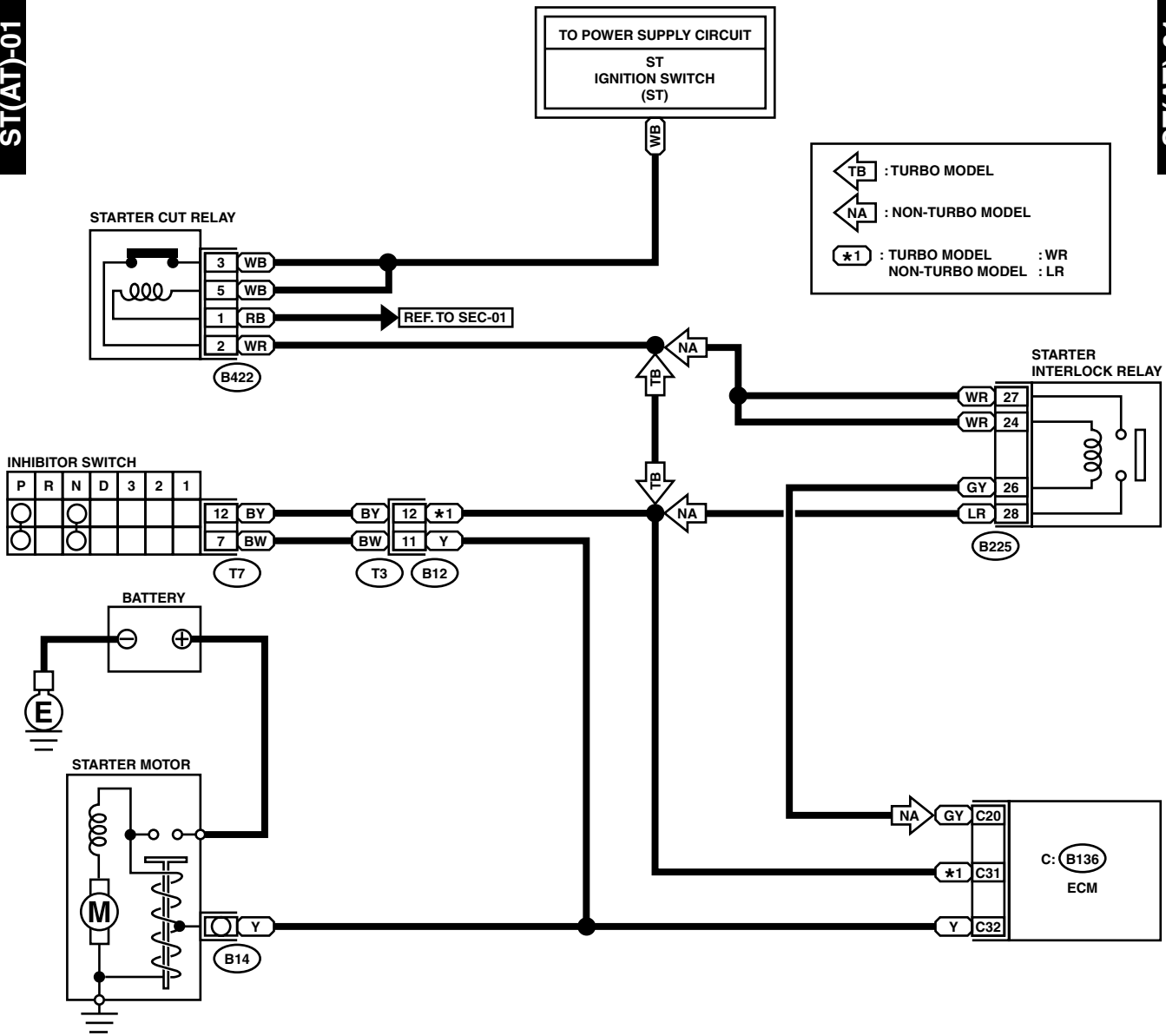
Starter System

WIRING SYSTEM

2. AT MODEL

ST(AT)-01

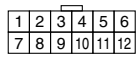
ST(AT)-01



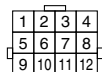
B422 (GRAY)



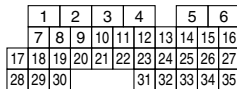
T7



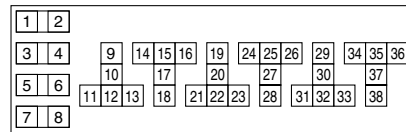
B12 HR (GRAY)



C: B136 HR



B225 (BLACK)

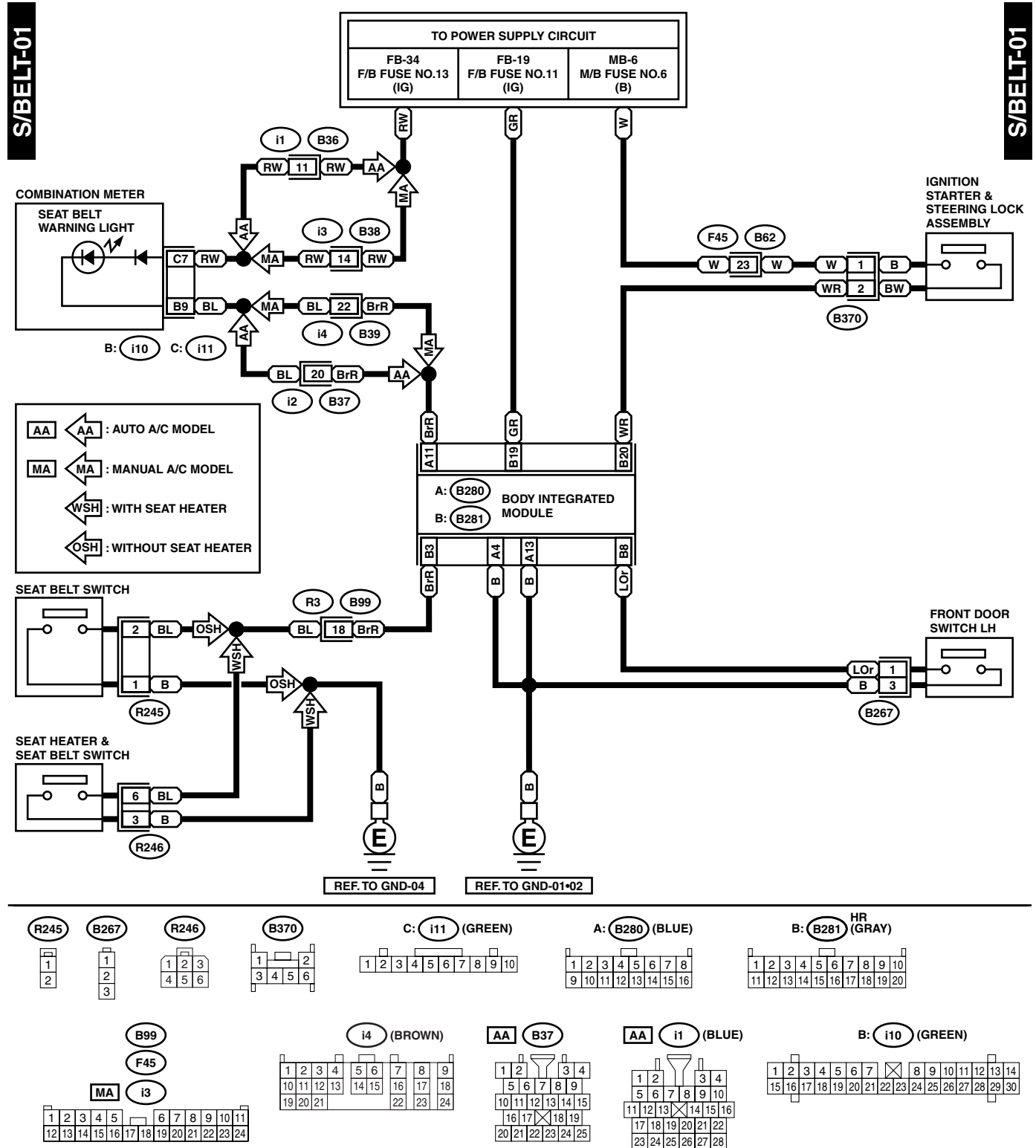


RELAY BLOCK

WI-08958

17. Seat Belt Warning System

A: WIRING DIAGRAM



WI-08959

Seat Heater System

WIRING SYSTEM

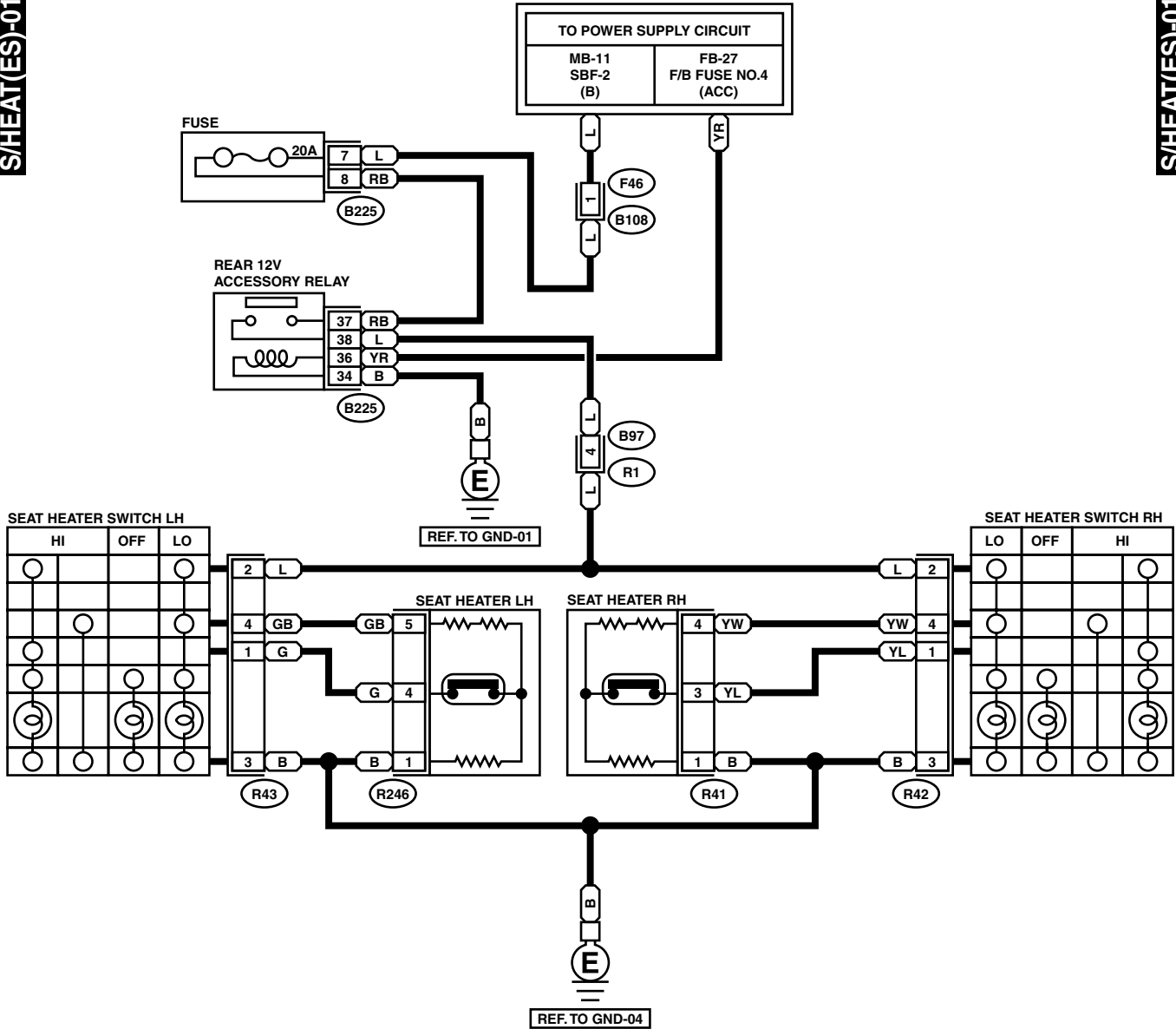
18. Seat Heater System

A: WIRING DIAGRAM

1. EXCEPT FOR STI MODEL

S/HEAT(ES)-01

S/HEAT(ES)-01



F46 (BLACK)



R42



R41 (BLUE)



R43 (BLUE)



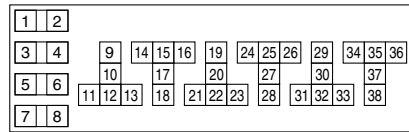
R246



B97



B225 (BLACK)

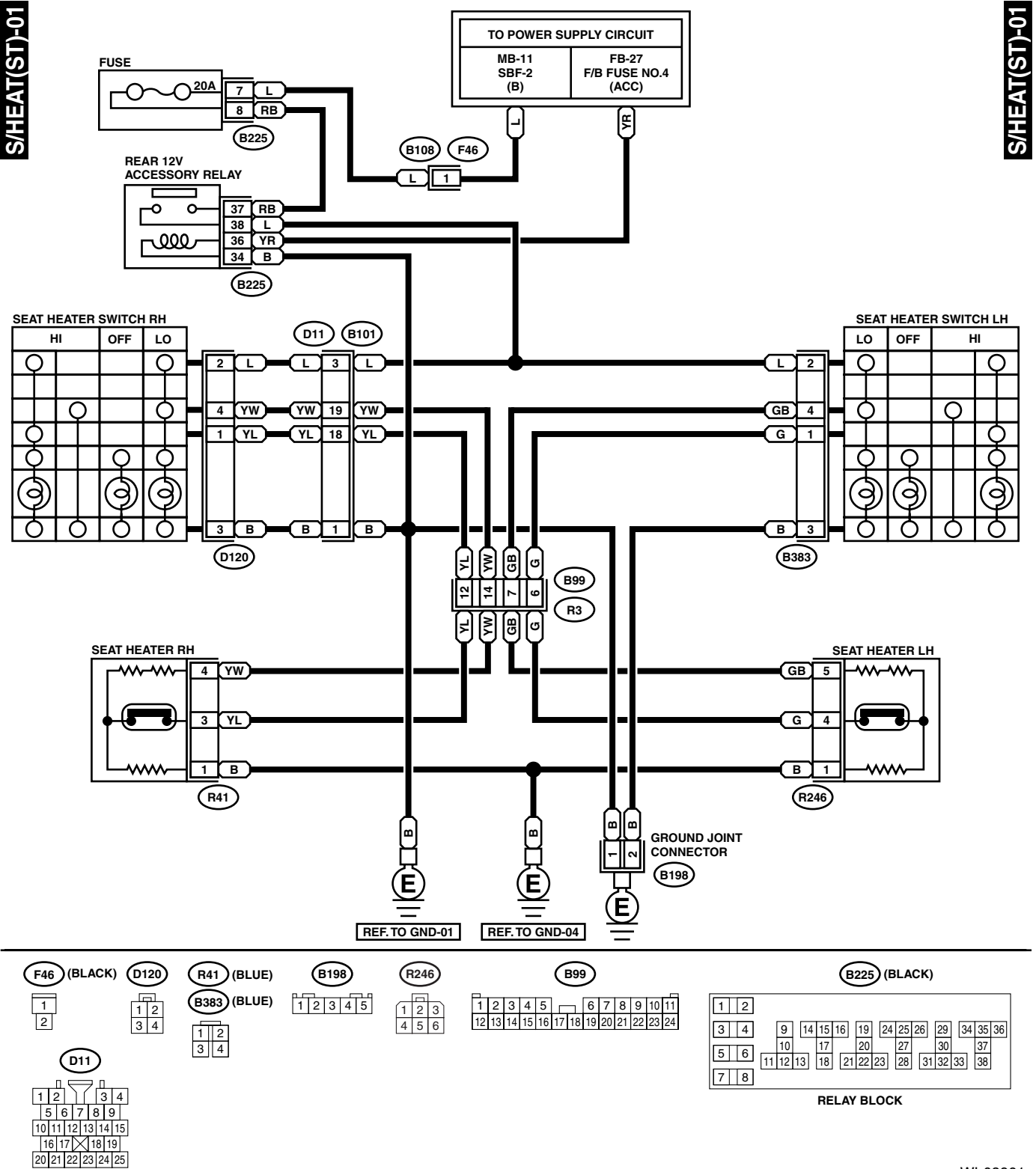


RELAY BLOCK

Seat Heater System

WIRING SYSTEM

2. STI MODEL



WI-08961

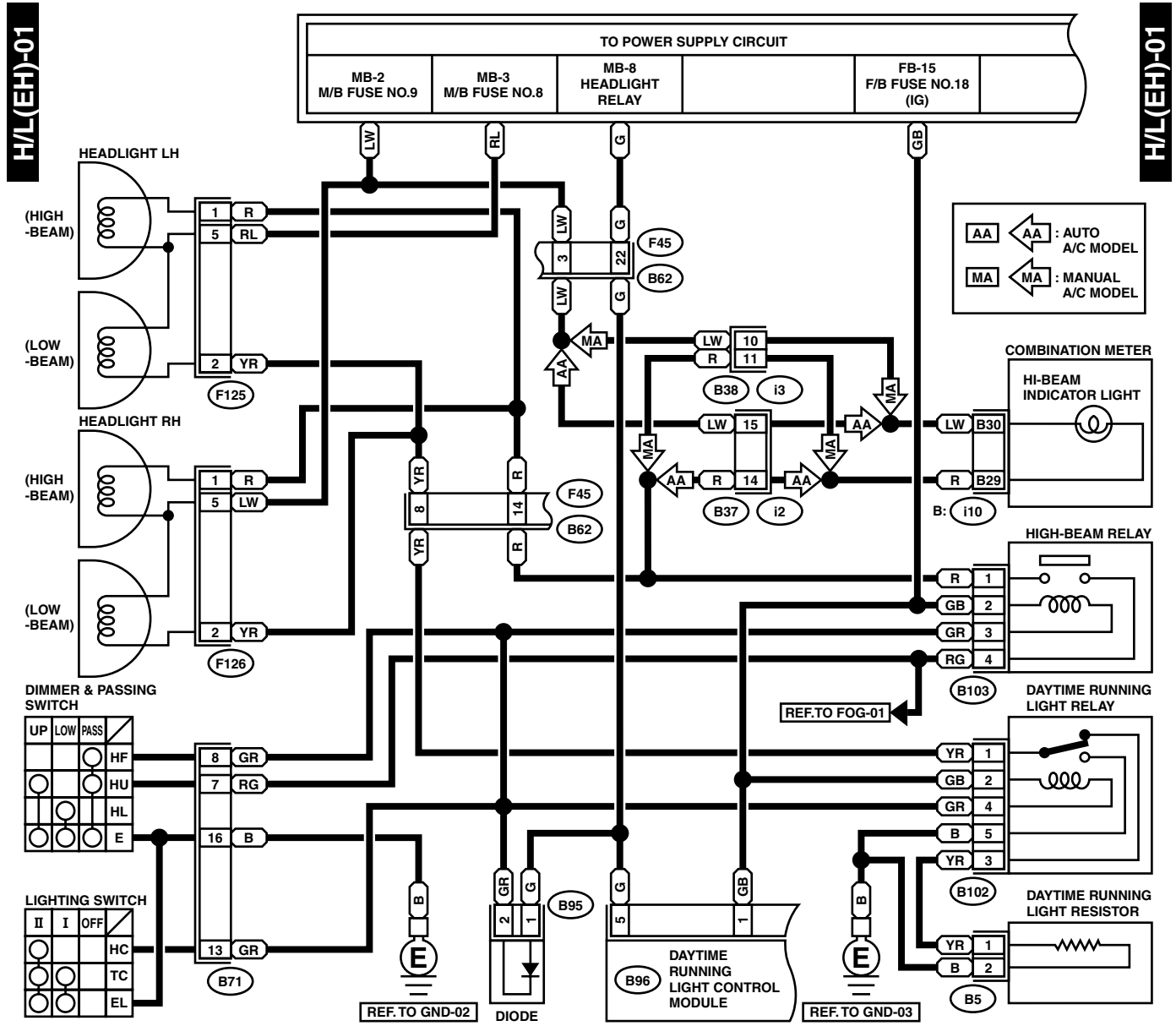
Headlight System

WIRING SYSTEM

19. Headlight System

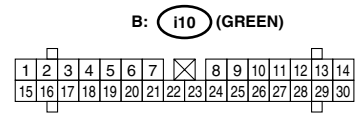
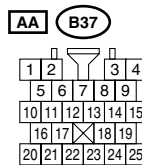
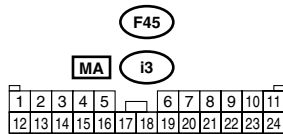
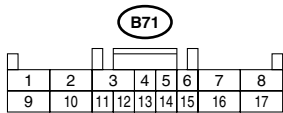
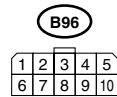
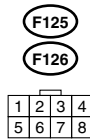
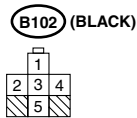
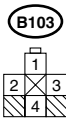
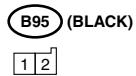
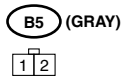
A: WIRING DIAGRAM

1. MODEL WITHOUT HID



H/L(EH)-01

H/L(EH)-01



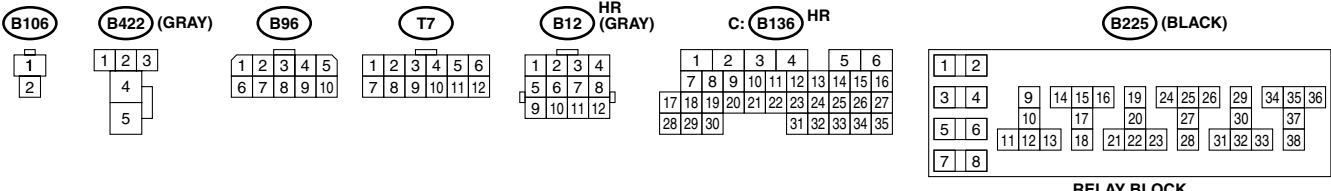
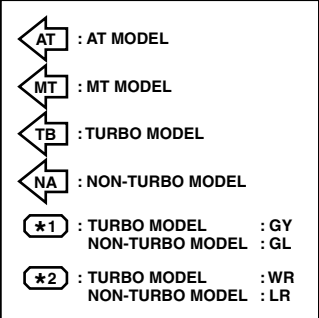
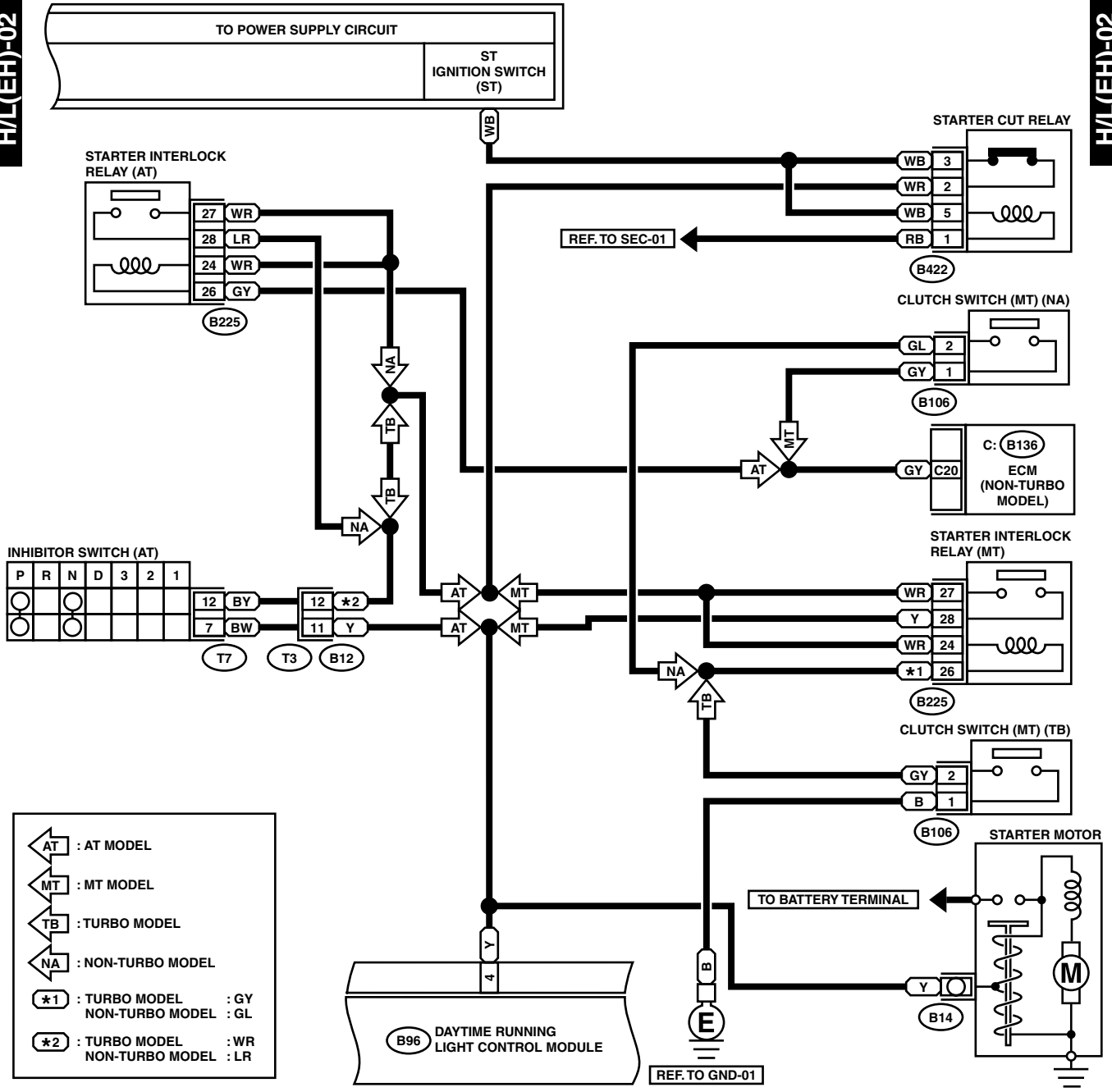
WI-08962

Headlight System

WIRING SYSTEM

H/L(EH)-02

H/L(EH)-02



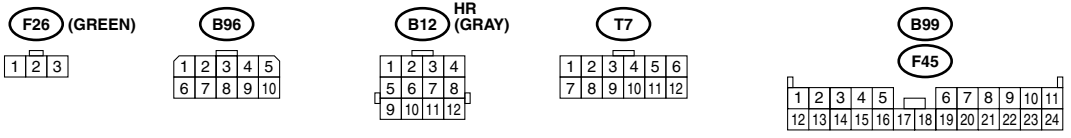
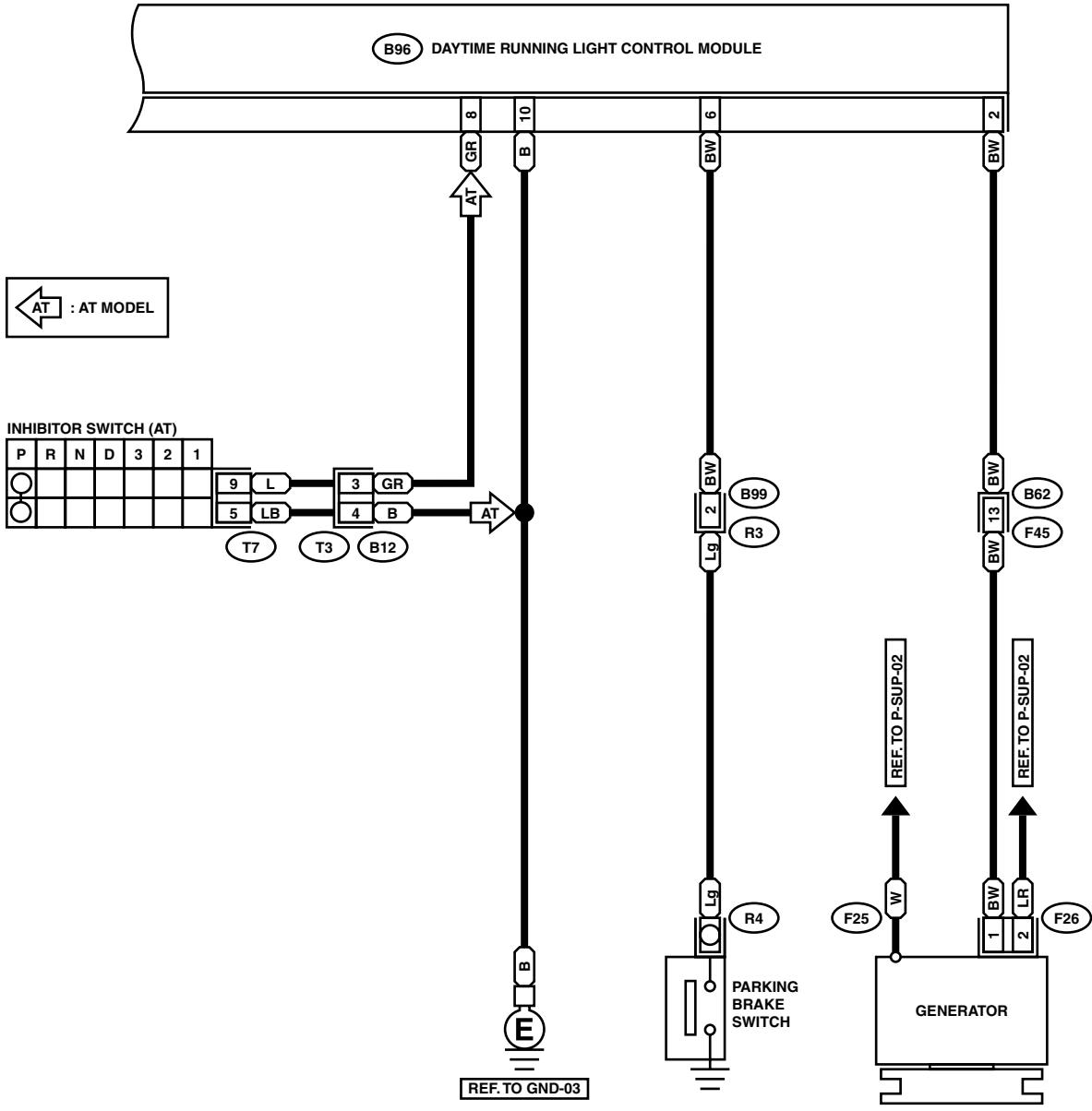
RELAY BLOCK WI-08963

Headlight System

WIRING SYSTEM

H/L(EH)-03

H/L(EH)-03



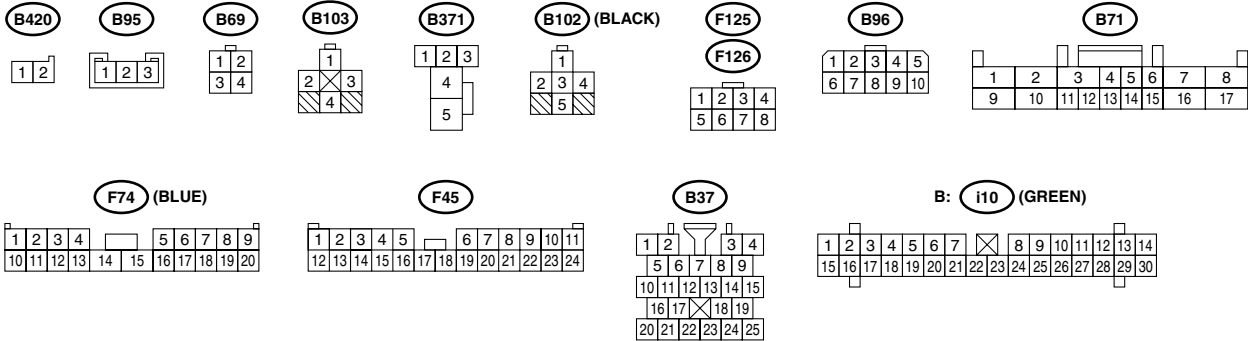
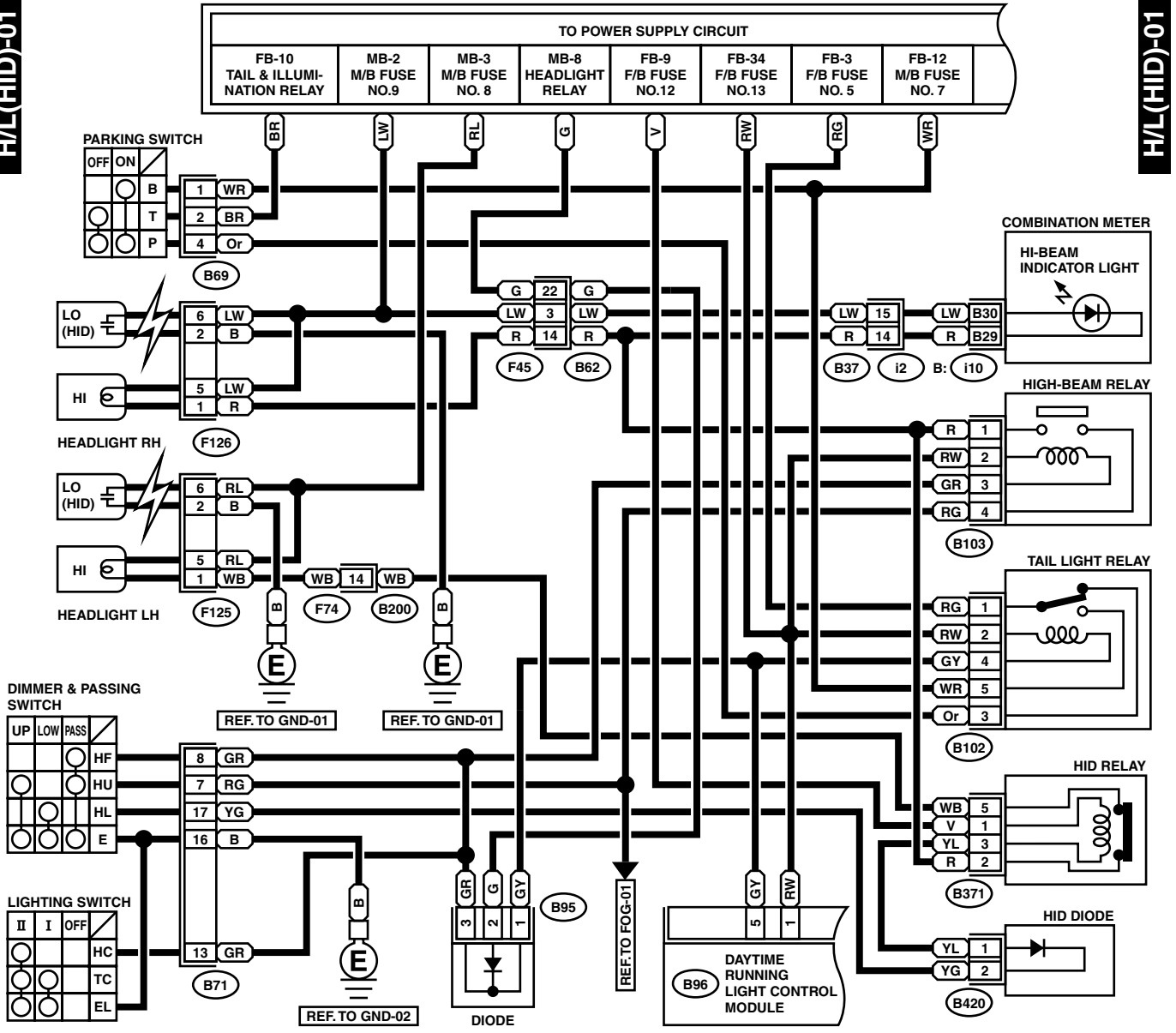
WI-08964

Headlight System

2. MODEL WITH HID

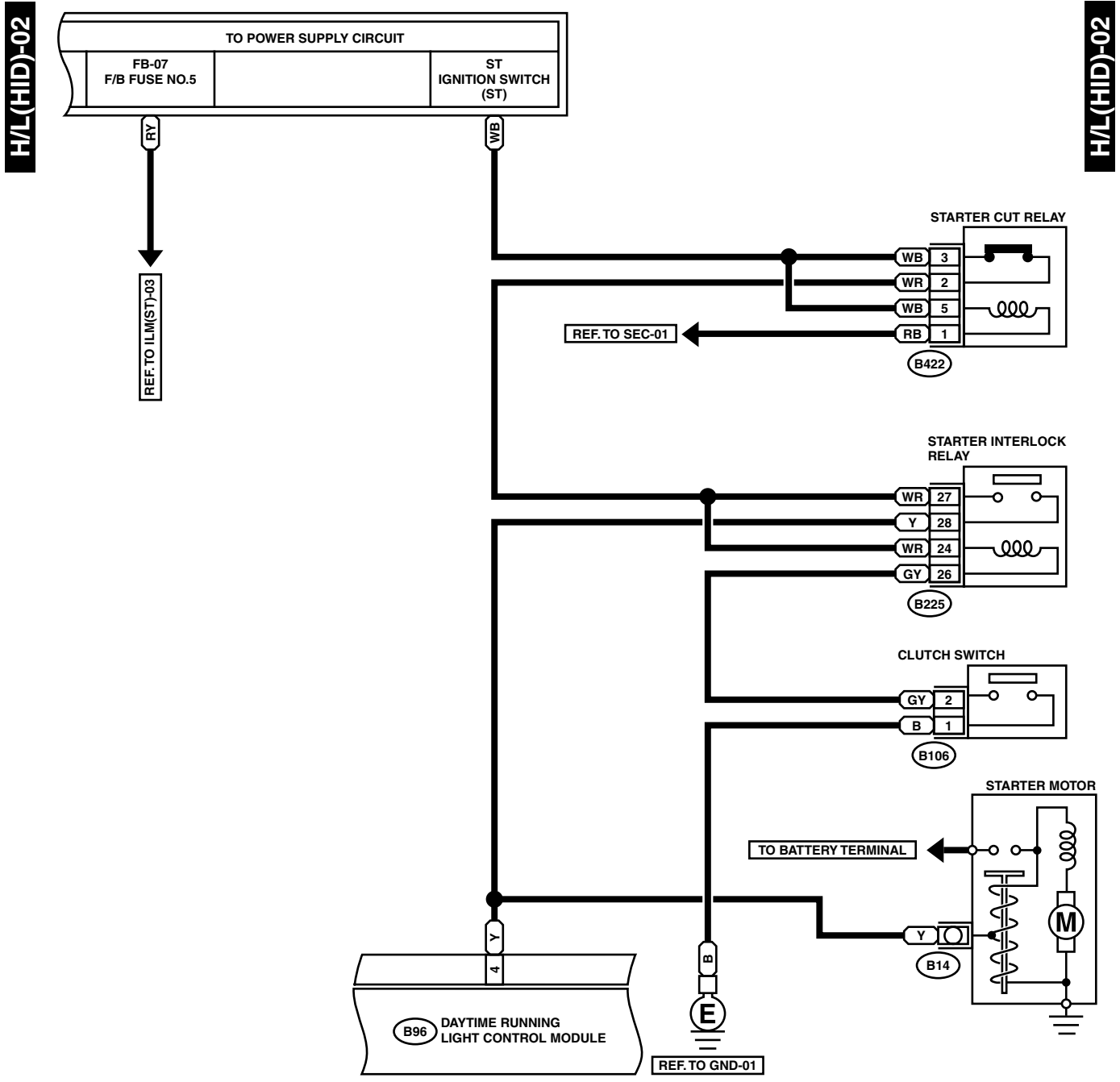
H/L(HID)-01

H/L(HID)-01



Headlight System

WIRING SYSTEM



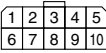
B106



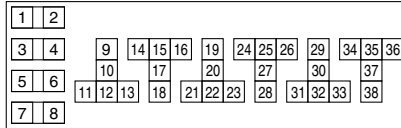
B422 (BLACK)



B96



B225 (BLACK)



RELAY BLOCK

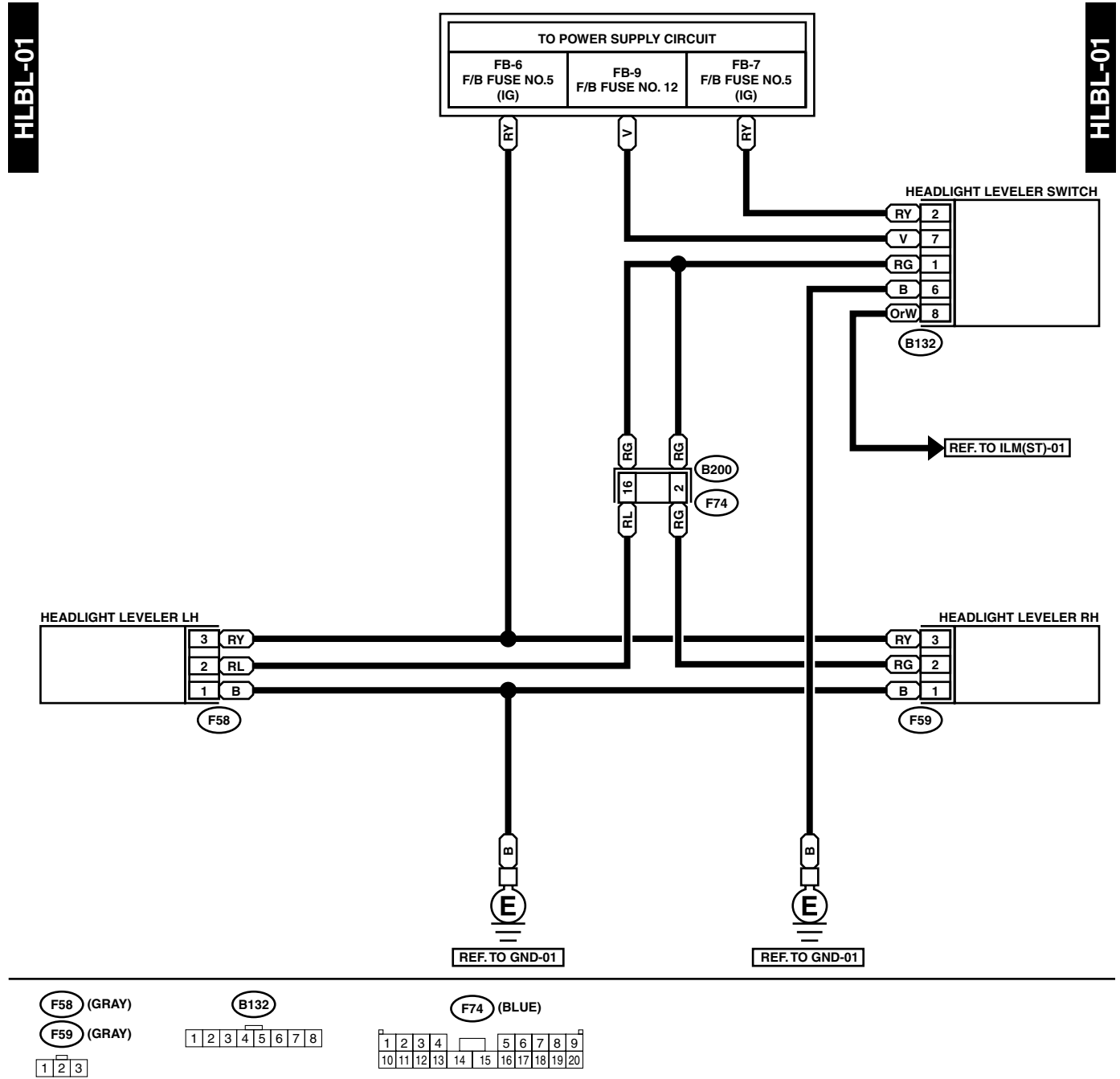
WI-10493

Headlight Beam Leveler System

WIRING SYSTEM

20.Headlight Beam Leveler System

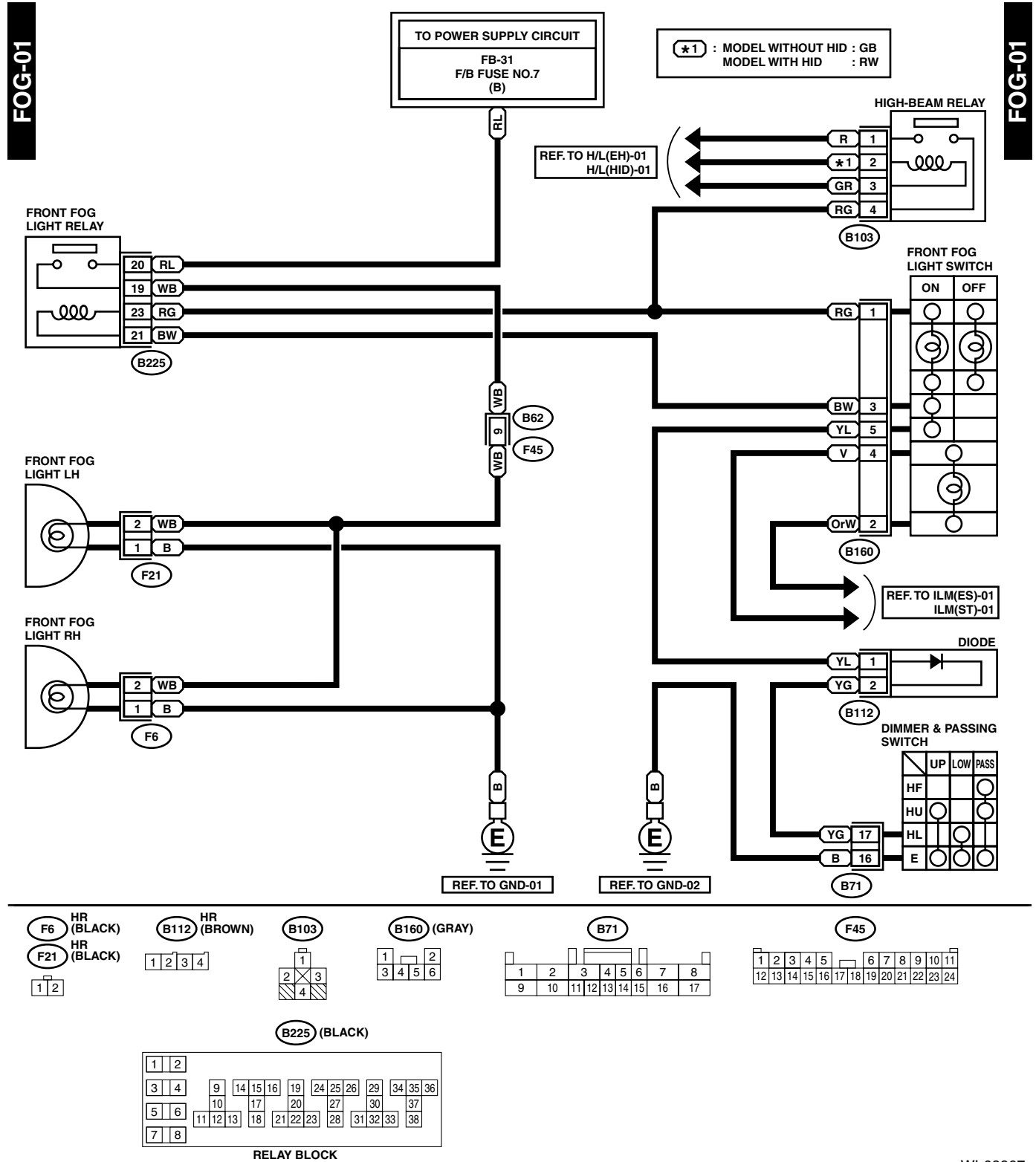
A: WIRING DIAGRAM



WI-08966

21. Front Fog Light System

A: WIRING DIAGRAM

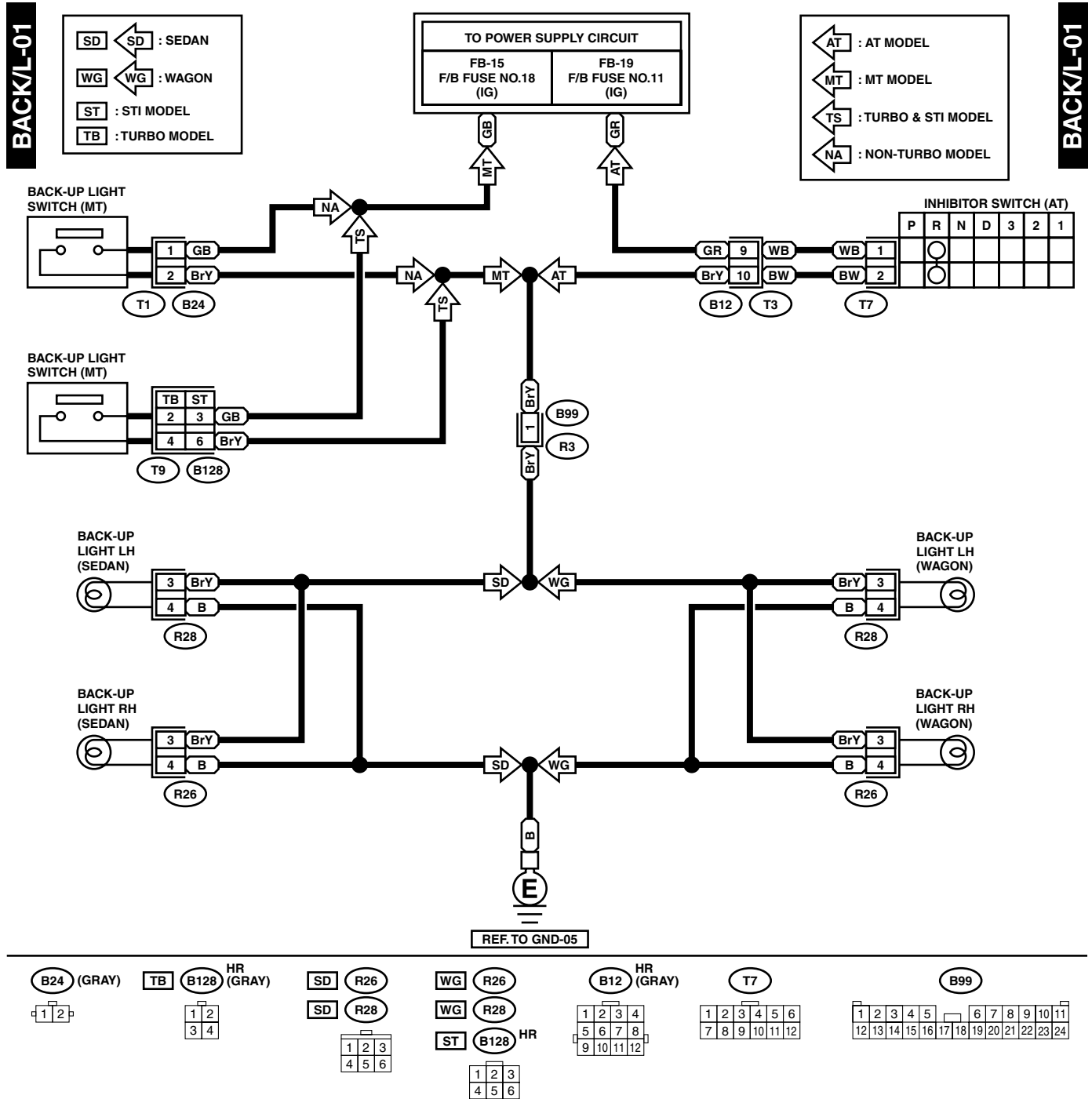


Back-up Light System

WIRING SYSTEM

22.Back-up Light System

A: WIRING DIAGRAM

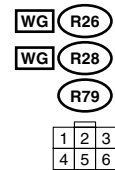
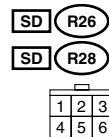
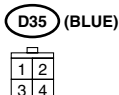
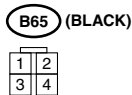
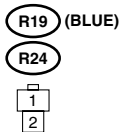
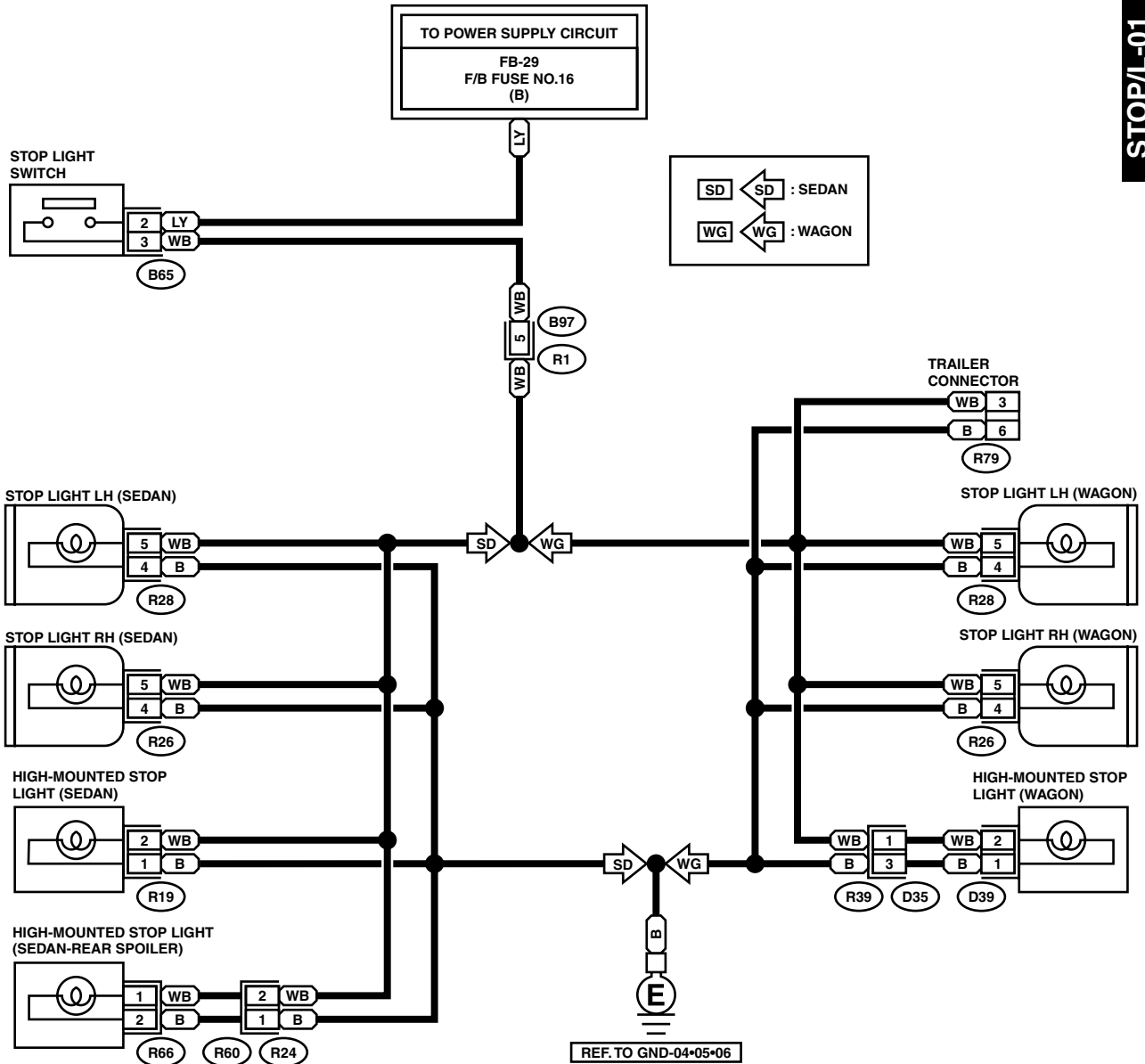


23. Stop Light System

A: WIRING DIAGRAM

STOP/L-01

STOP/L-01



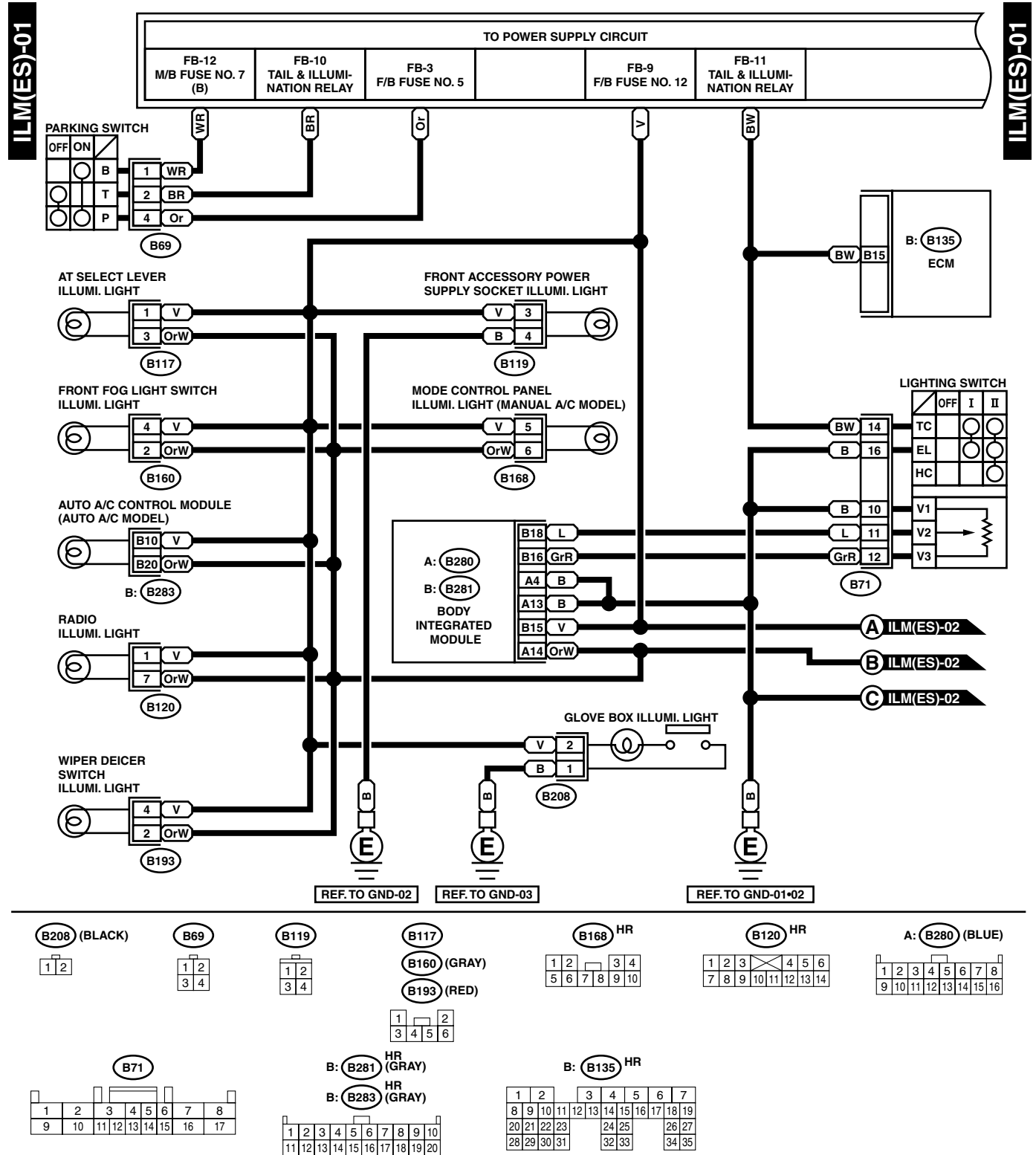
Clearance Light and Illumination Light System

WIRING SYSTEM

24. Clearance Light and Illumination Light System

A: WIRING DIAGRAM

1. EXCEPT FOR STI MODEL



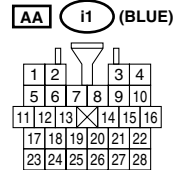
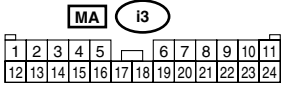
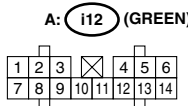
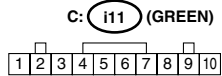
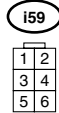
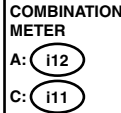
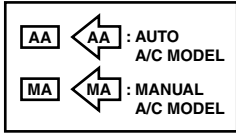
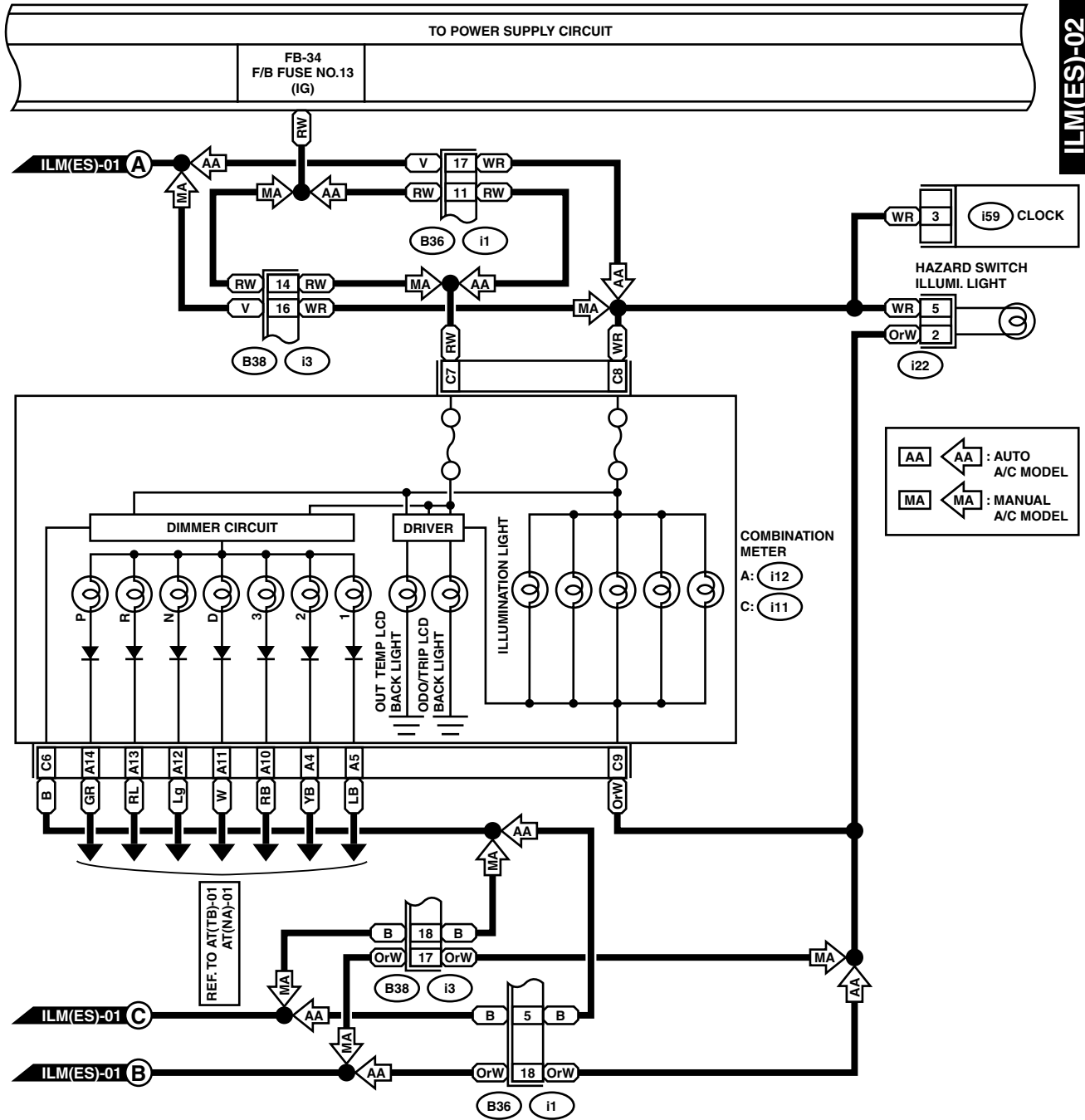
WI-08971

Clearance Light and Illumination Light System

WIRING SYSTEM

ILM(ES)-02

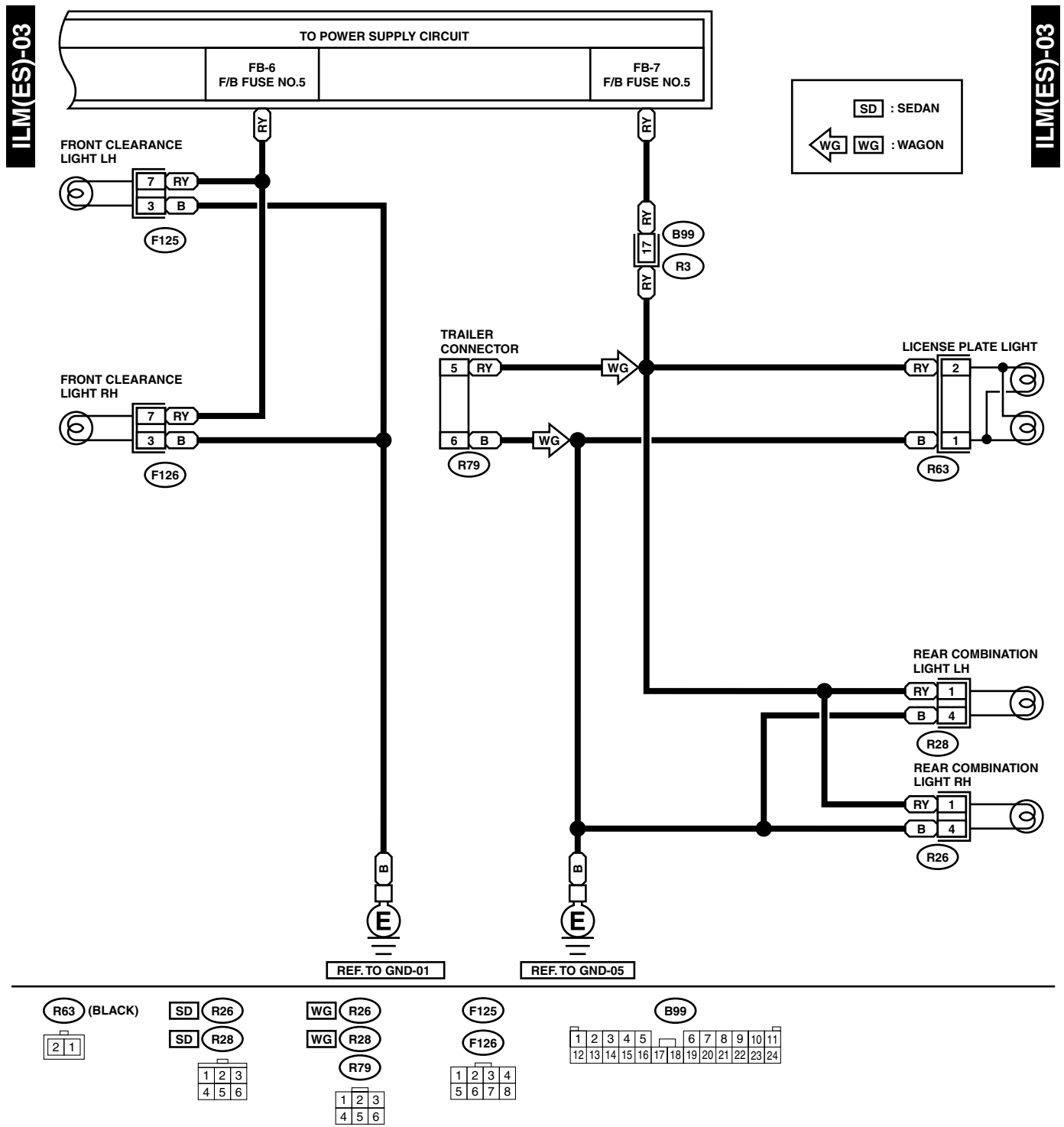
ILM(ES)-02



WI-08972

Clearance Light and Illumination Light System

WIRING SYSTEM

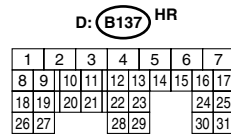
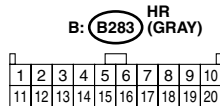
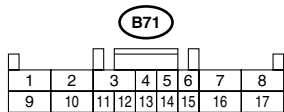
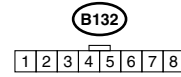
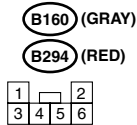
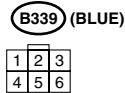
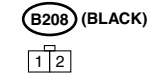
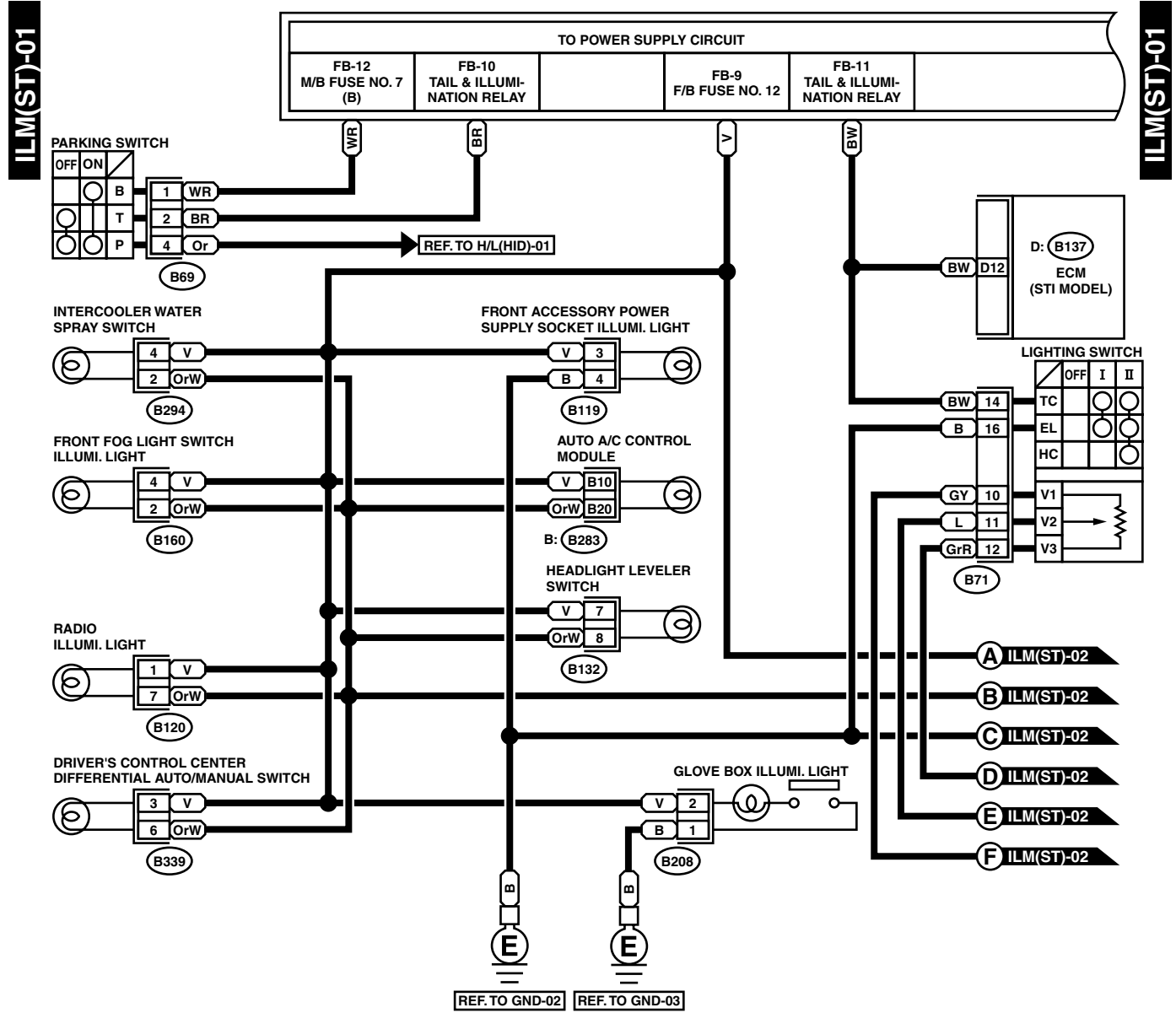


WI-08973

Clearance Light and Illumination Light System

WIRING SYSTEM

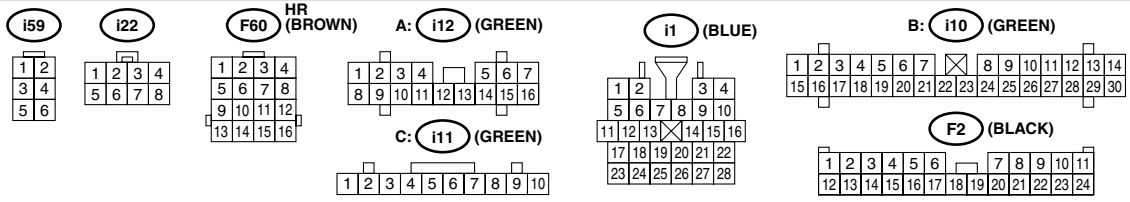
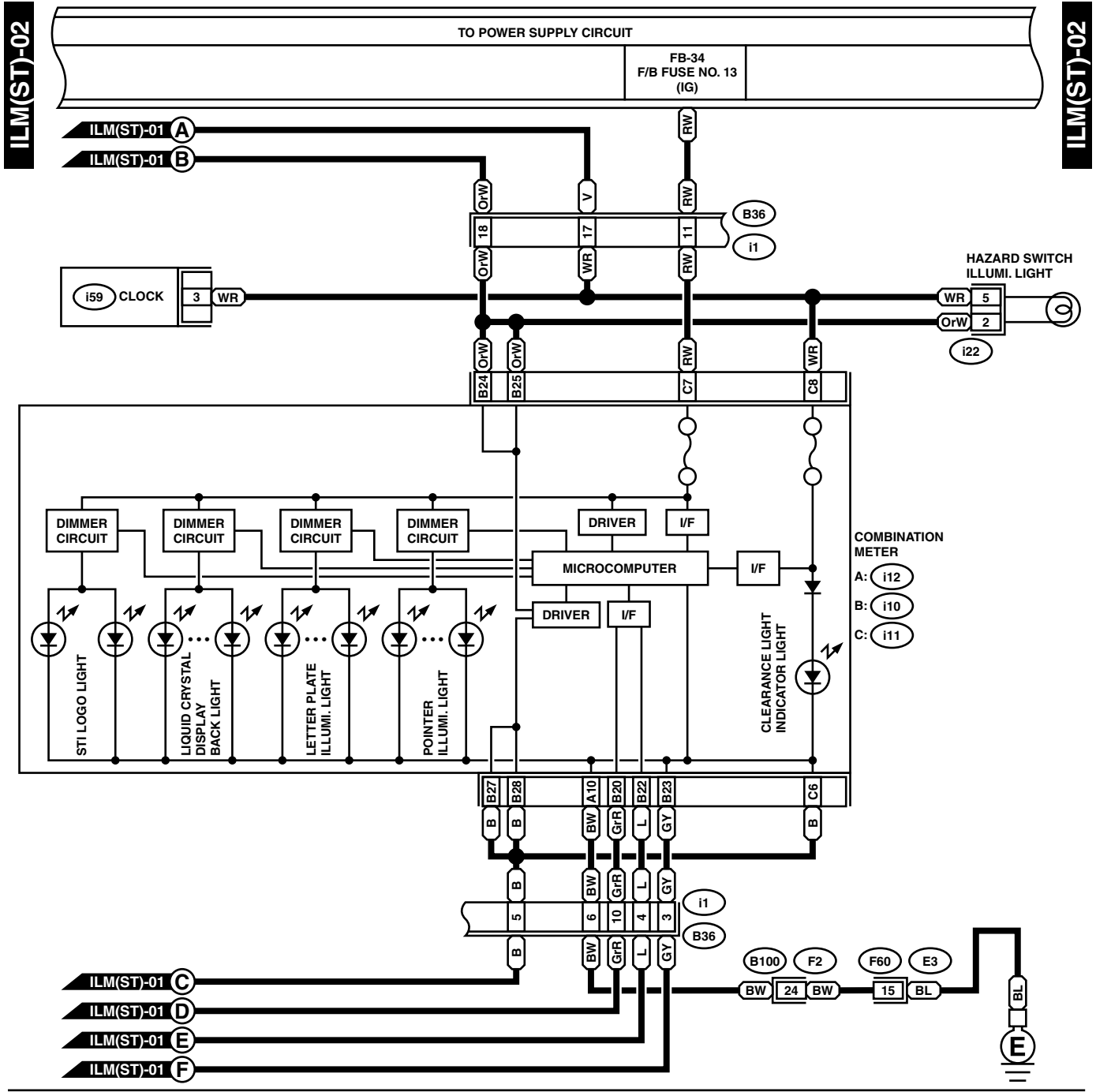
2. STI MODEL



WI-08974

Clearance Light and Illumination Light System

WIRING SYSTEM



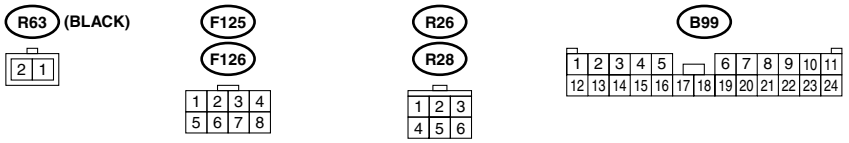
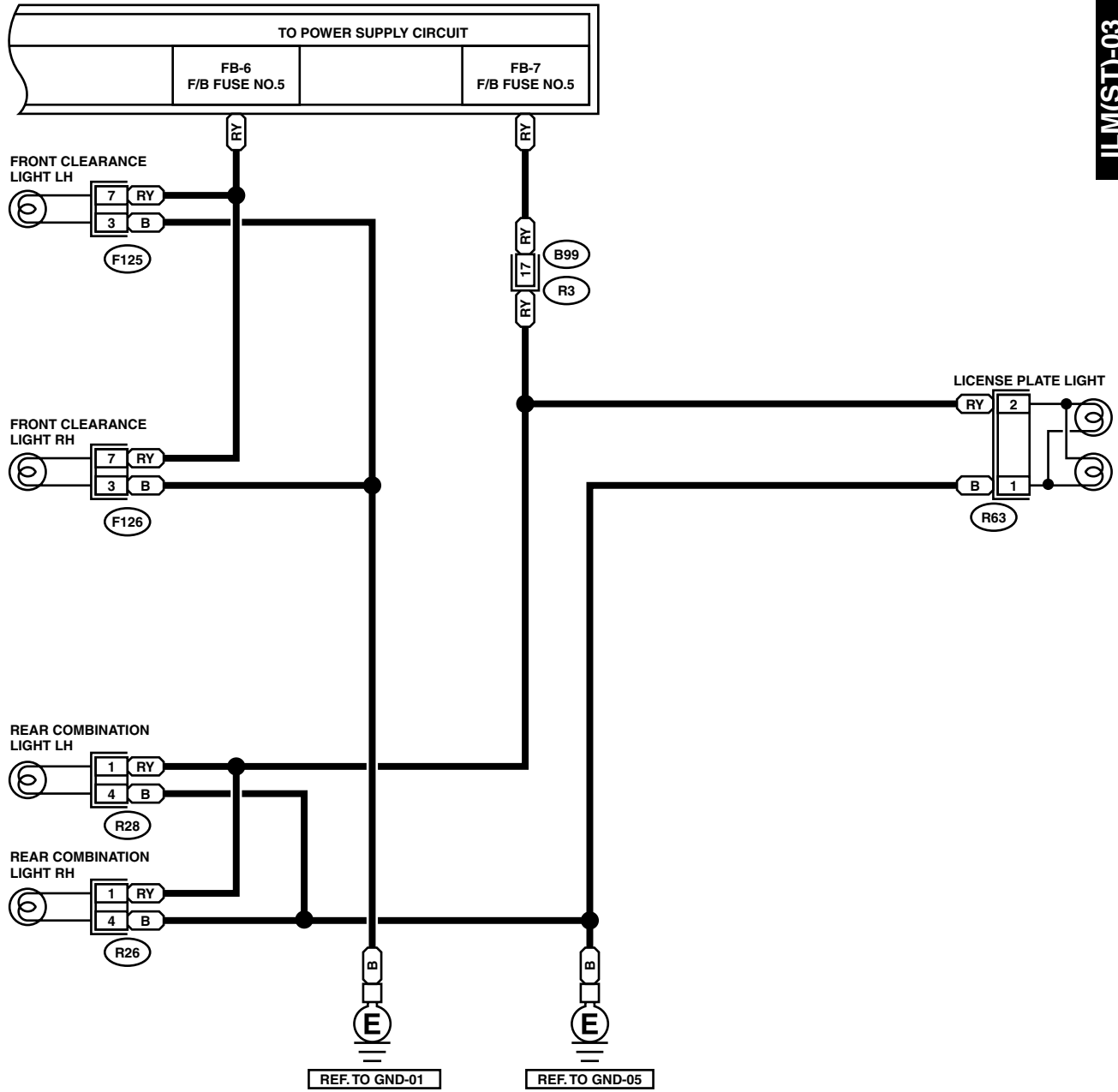
WI-08975

Clearance Light and Illumination Light System

WIRING SYSTEM

ILM(ST)-03

ILM(ST)-03



WI-08976

Turn Signal Light and Hazard Light System

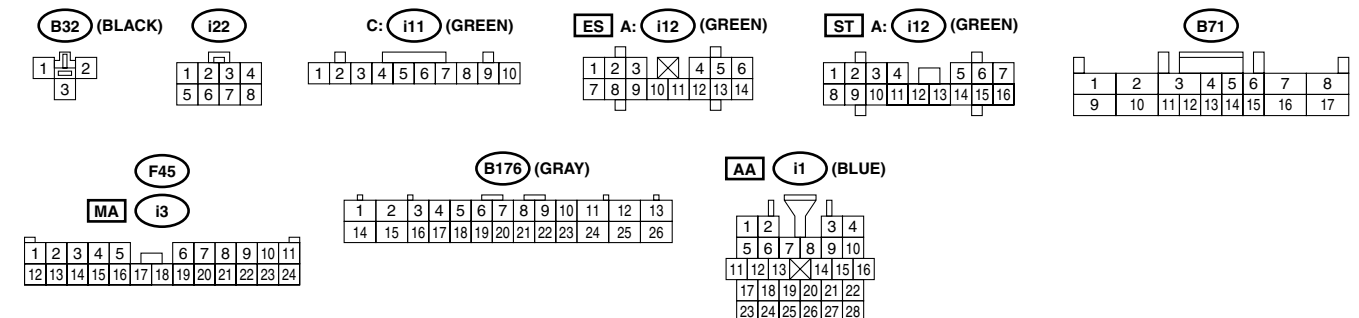
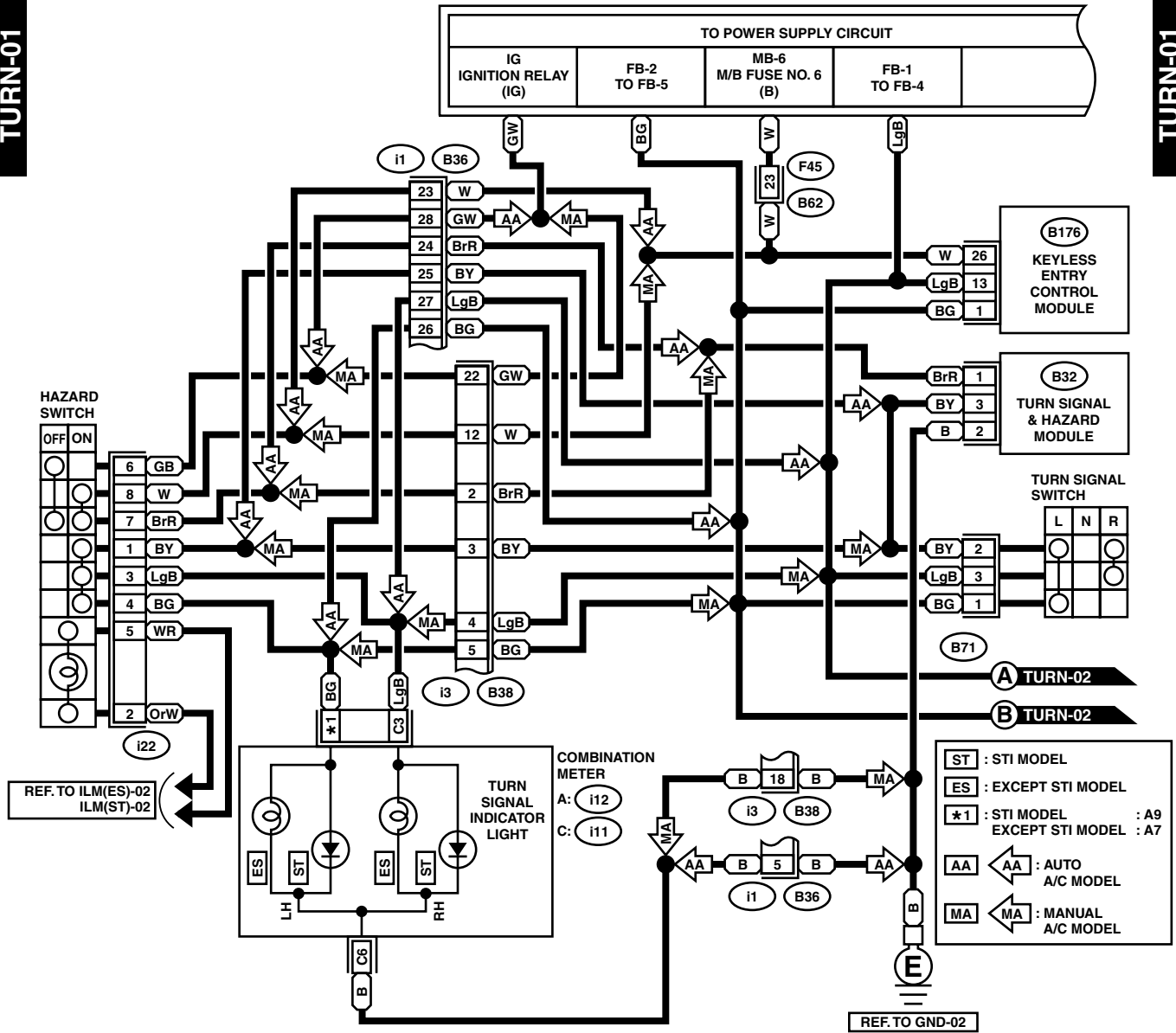
WIRING SYSTEM

25. Turn Signal Light and Hazard Light System

A: WIRING DIAGRAM

TURN-01

TURN-01



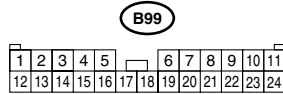
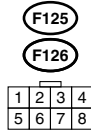
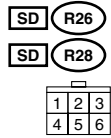
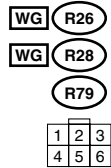
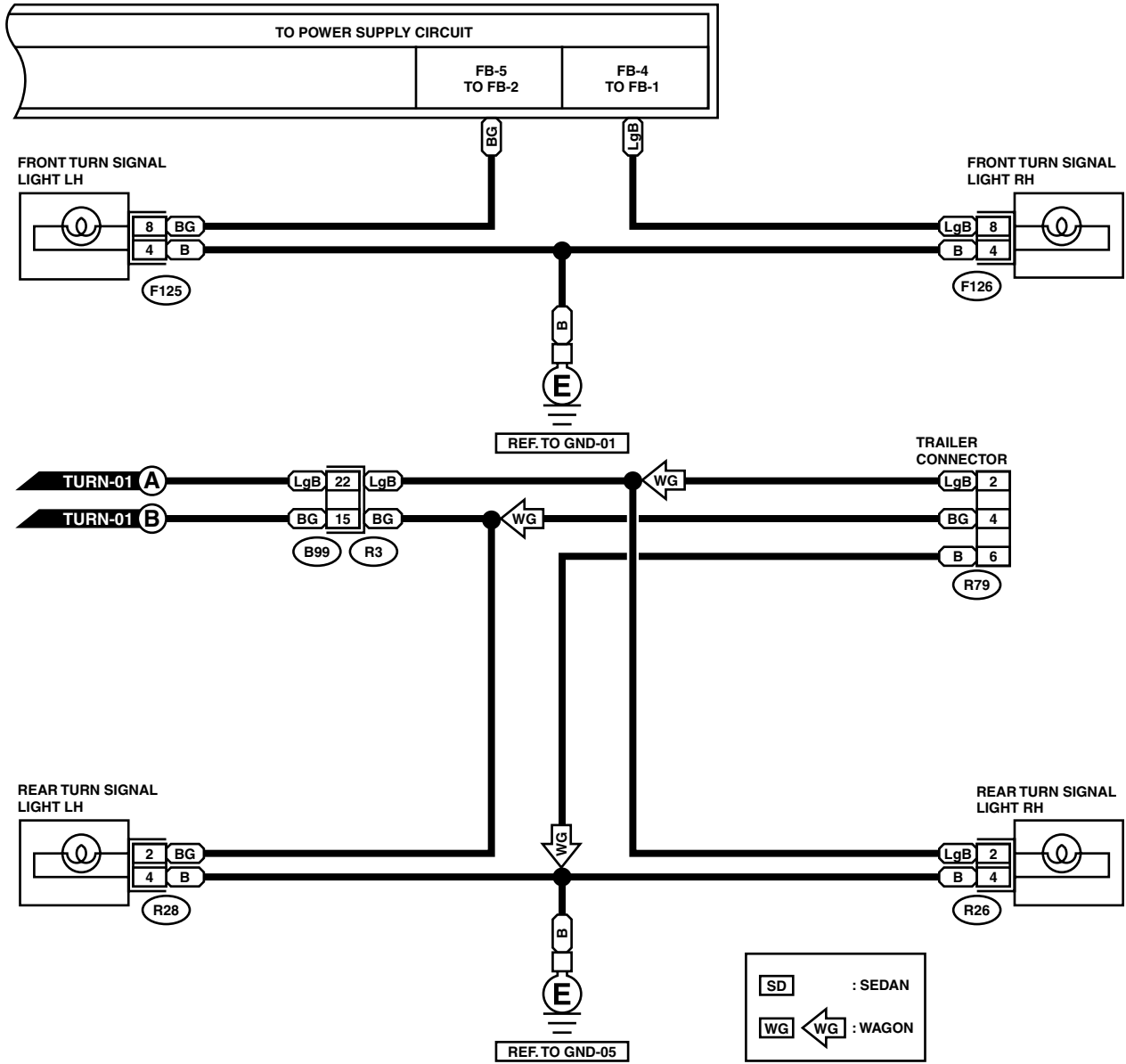
WI-08977

Turn Signal Light and Hazard Light System

WIRING SYSTEM

TURN-02

TURN-02



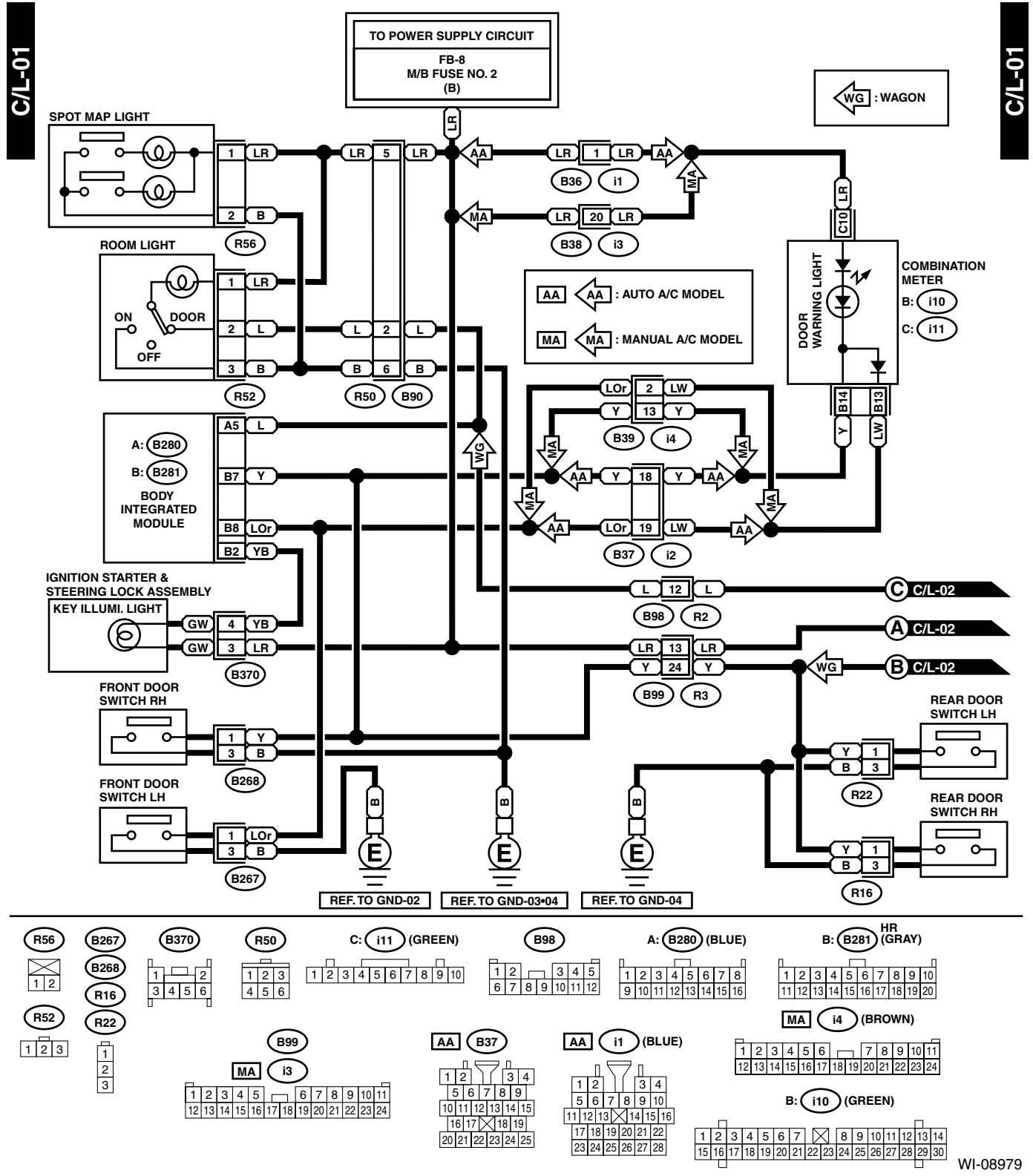
WI-08978

Interior Light System

WIRING SYSTEM

26. Interior Light System

A: WIRING DIAGRAM



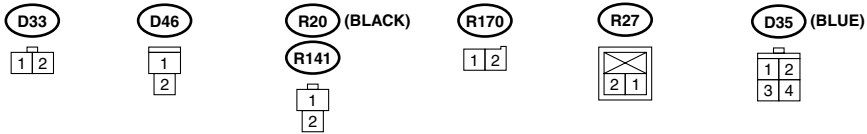
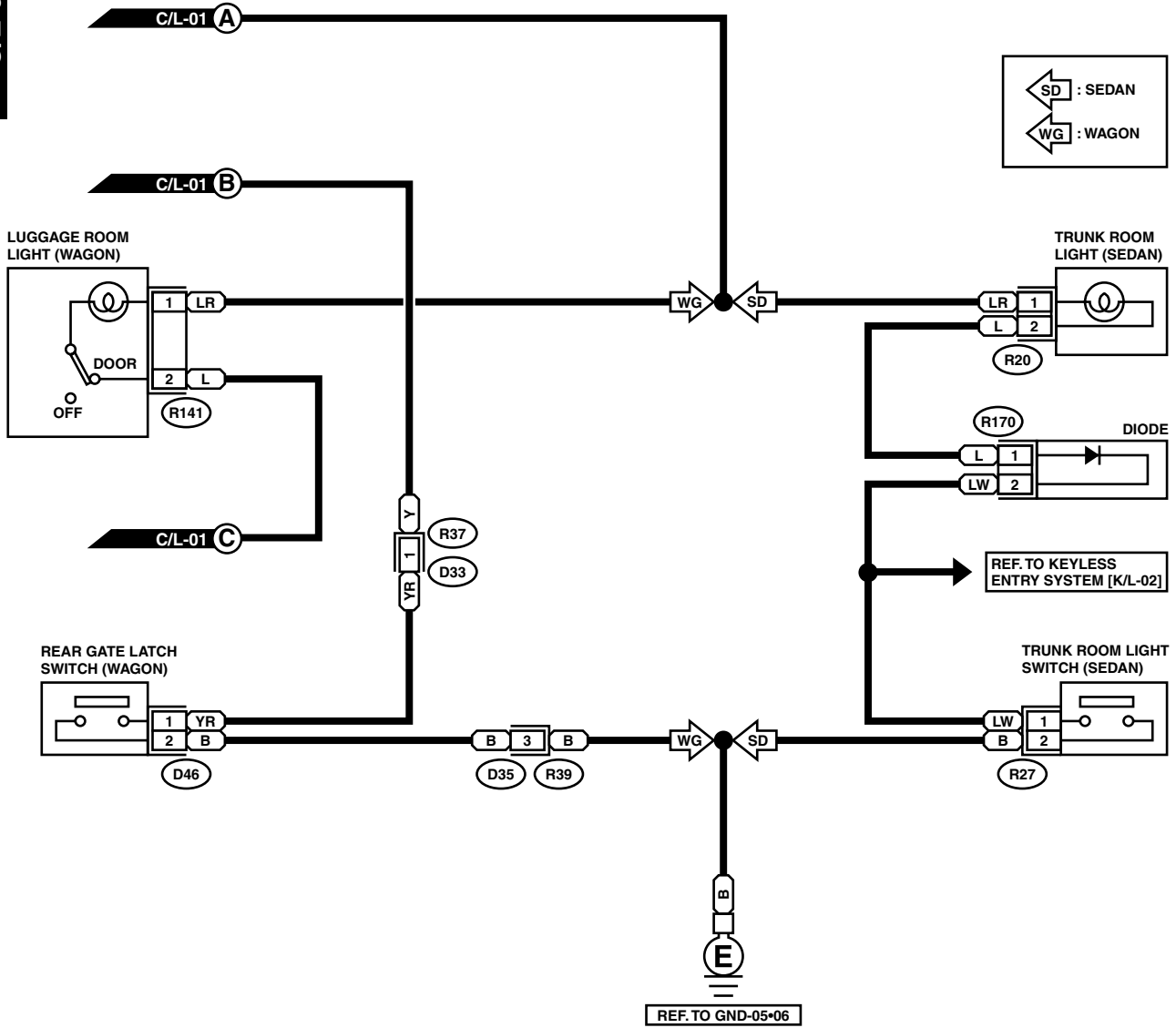
WI-08979

Interior Light System

WIRING SYSTEM

C/L-02

C/L-02



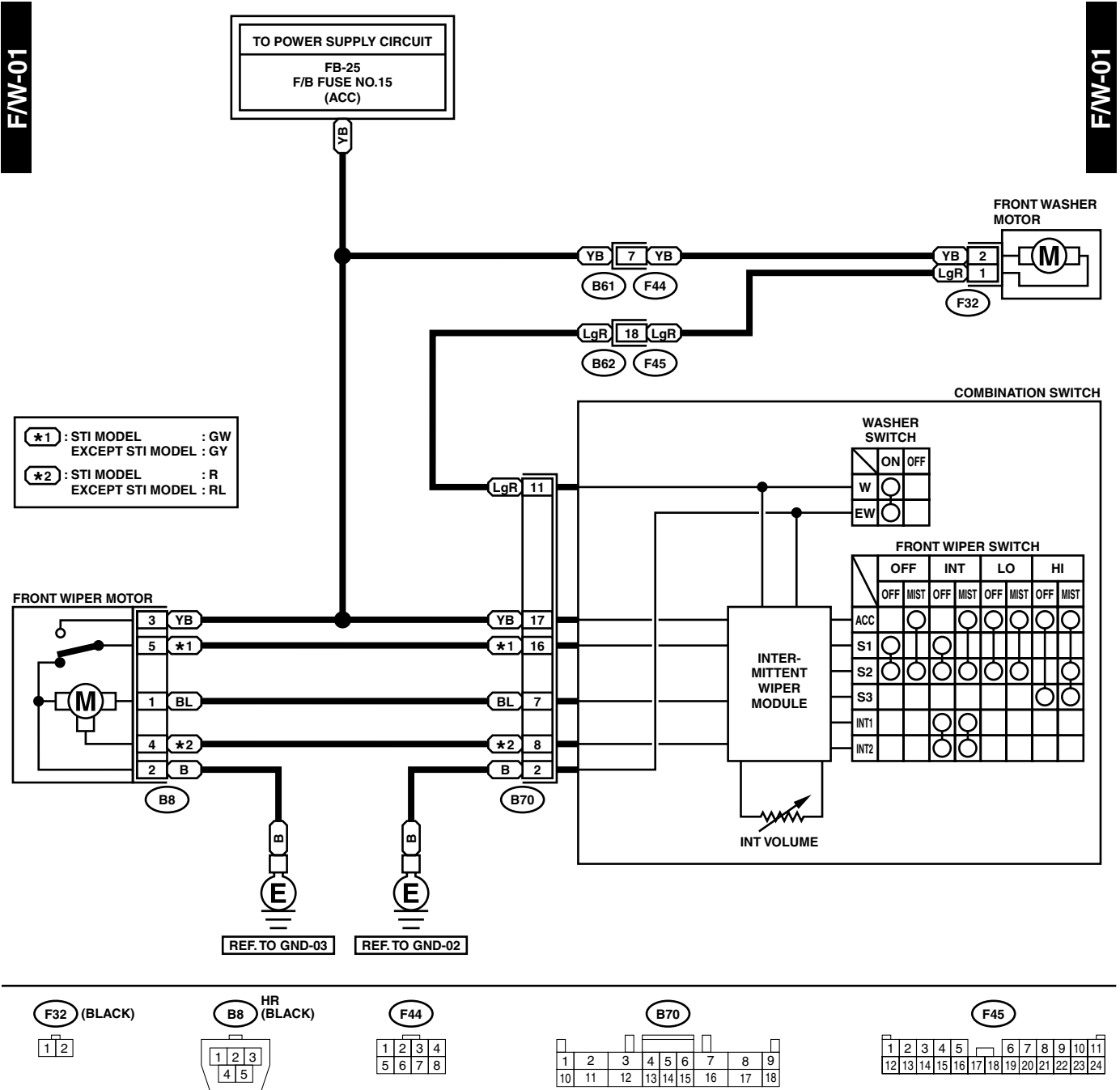
WI-10508

Front Wiper and Washer System

WIRING SYSTEM

27. Front Wiper and Washer System

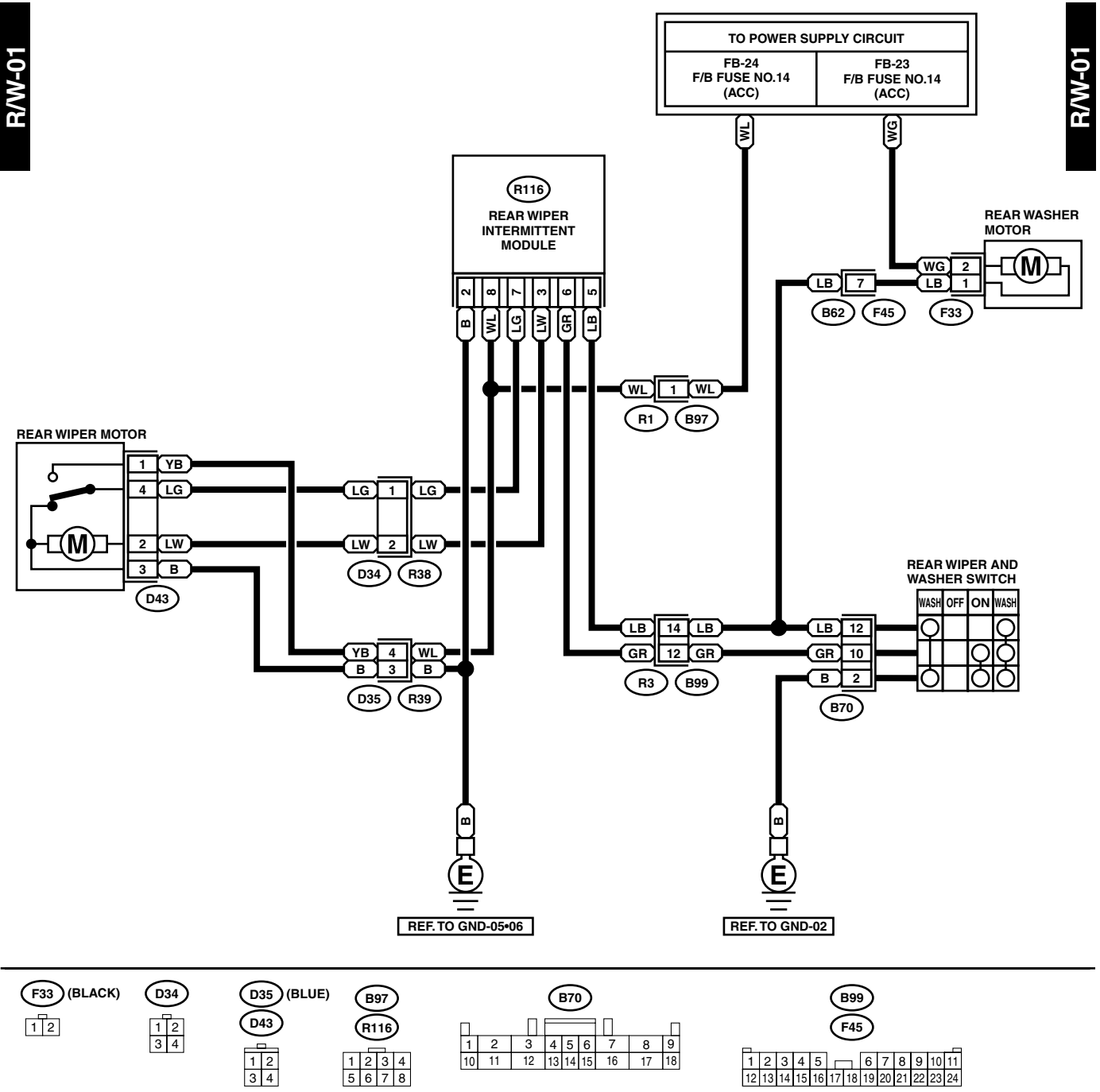
A: WIRING DIAGRAM



WI-08981

28.Rear Wiper and Washer System

A: WIRING DIAGRAM

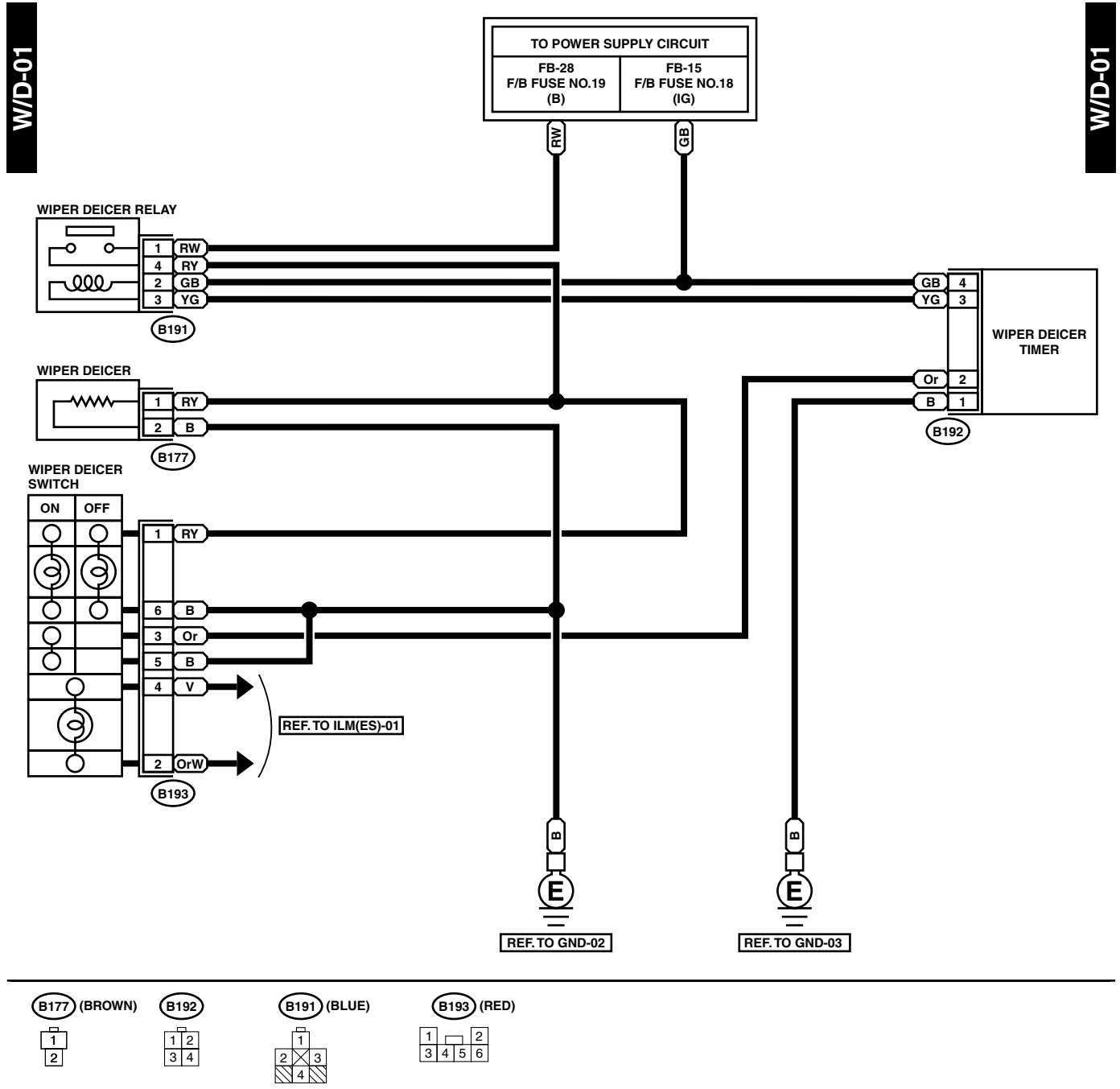


Wiper Deicer System

WIRING SYSTEM

29. Wiper Deicer System

A: WIRING DIAGRAM



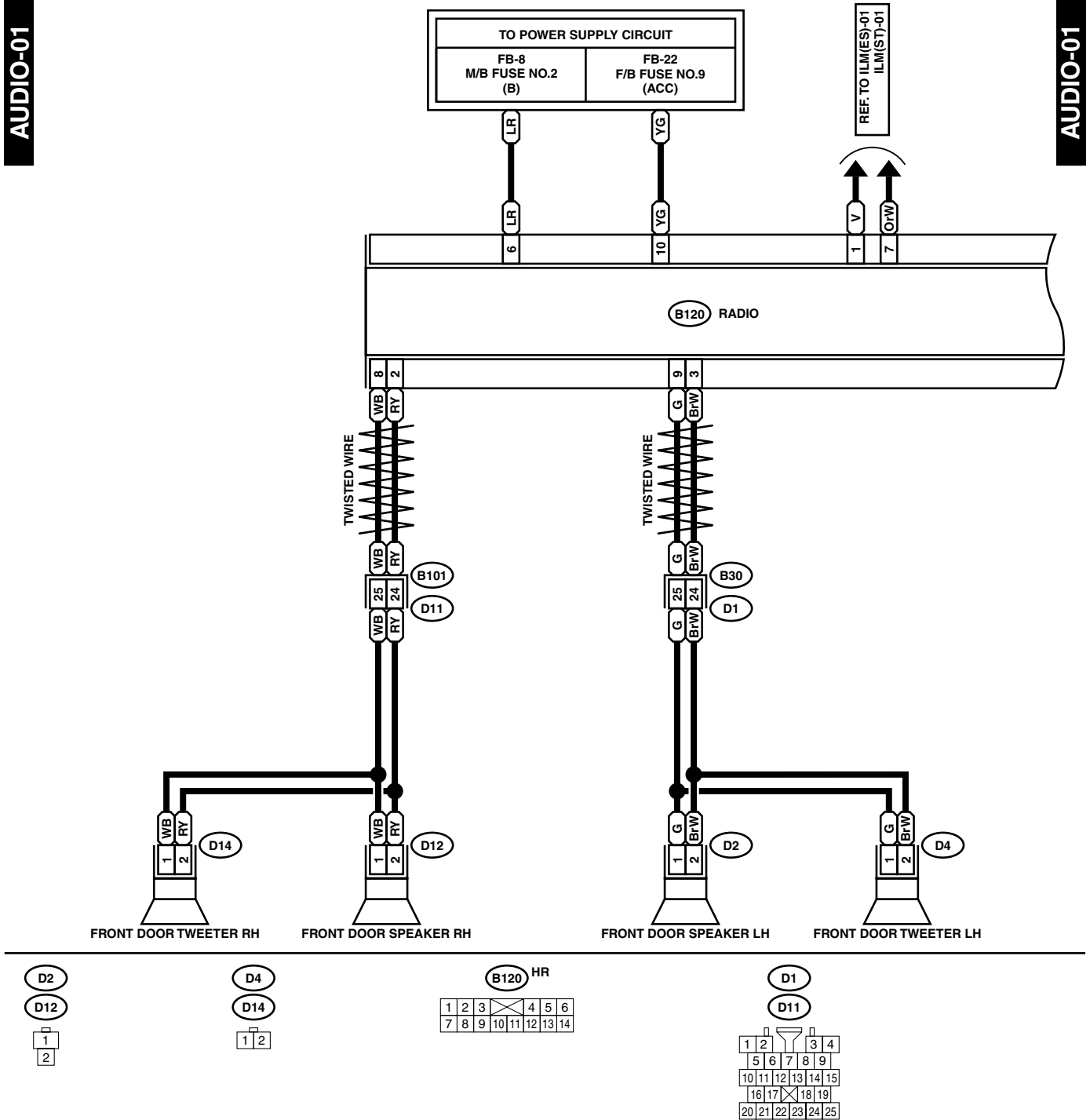
WI-08983

30. Audio System

A: WIRING DIAGRAM

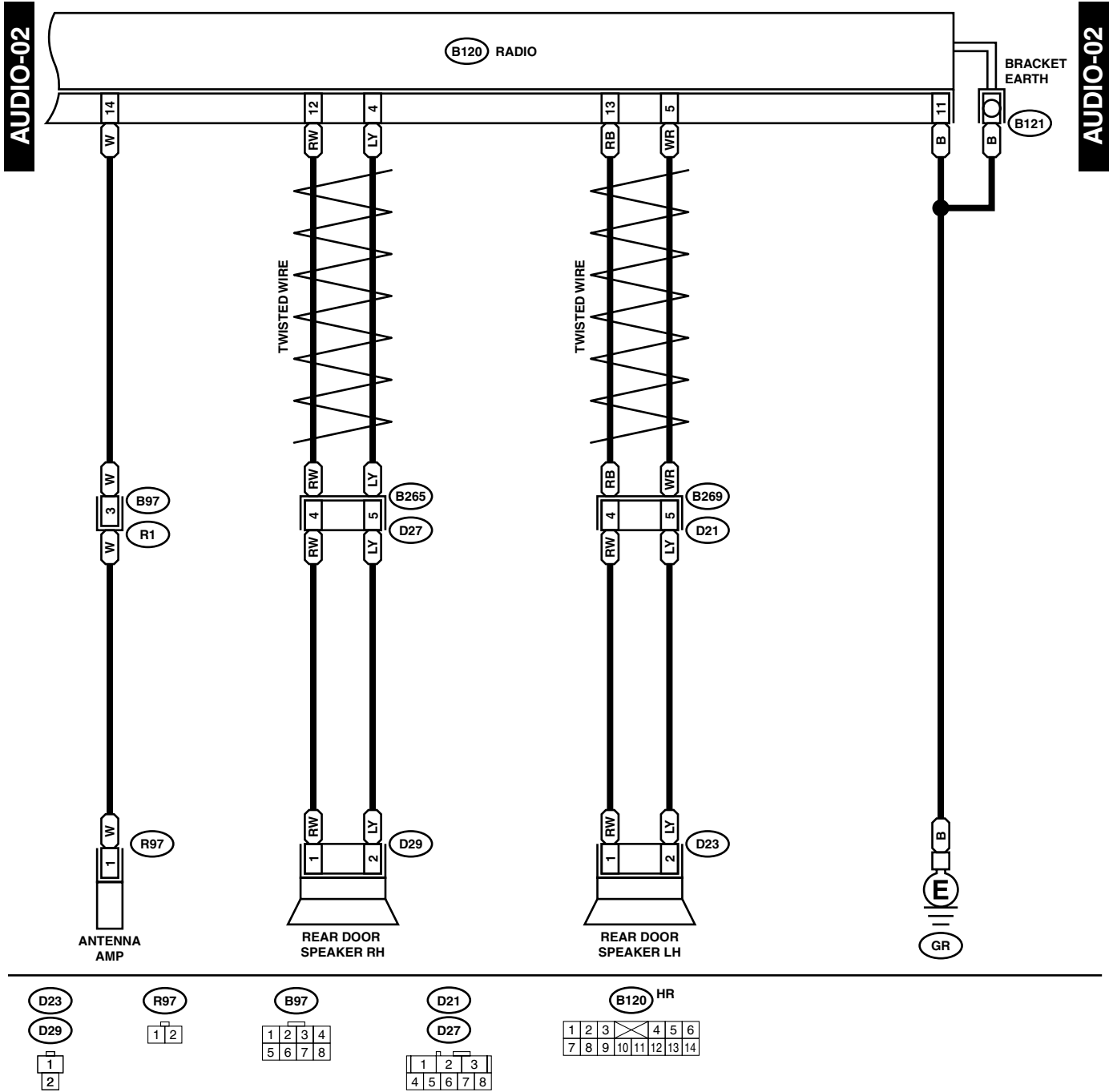
AUDIO-01

AUDIO-01



Audio System

WIRING SYSTEM



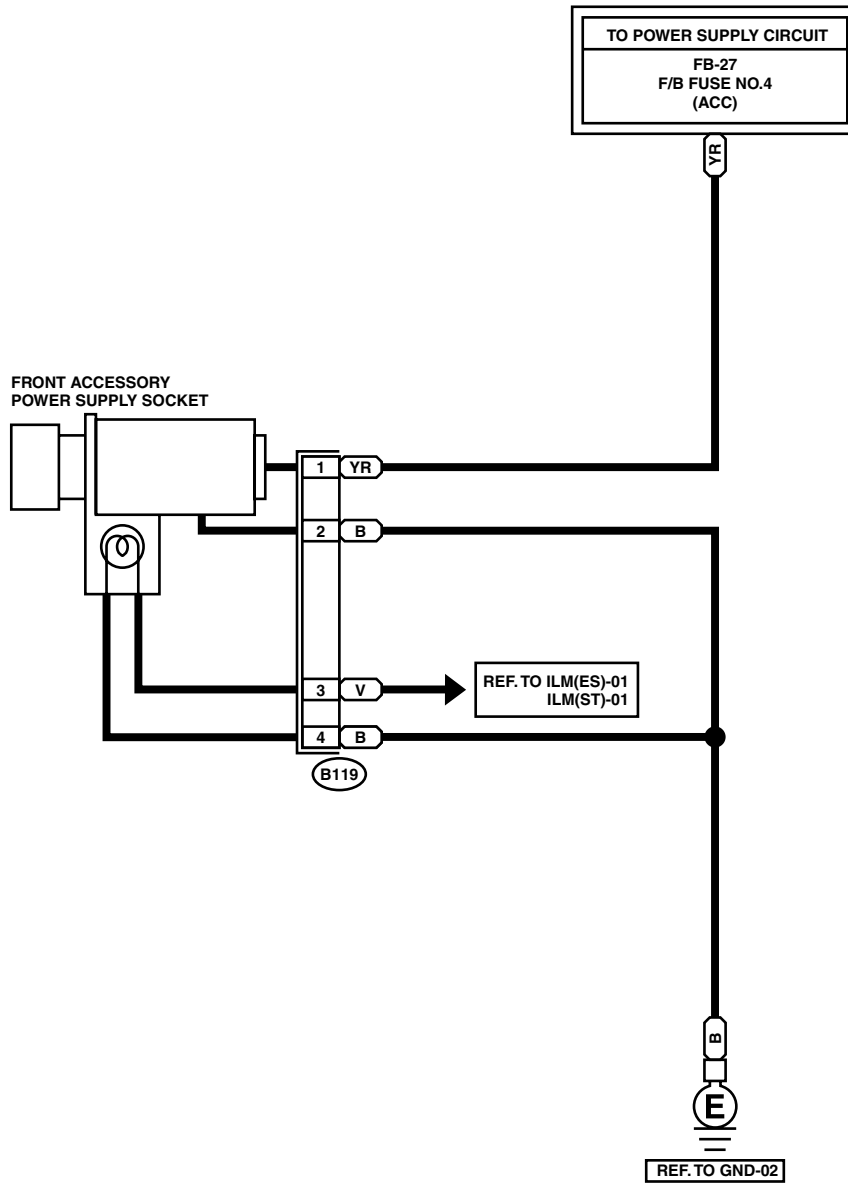
WI-08985

31.Front Accessory Power Supply Socket System

A: WIRING DIAGRAM

FAPS-01

FAPS-01



B119

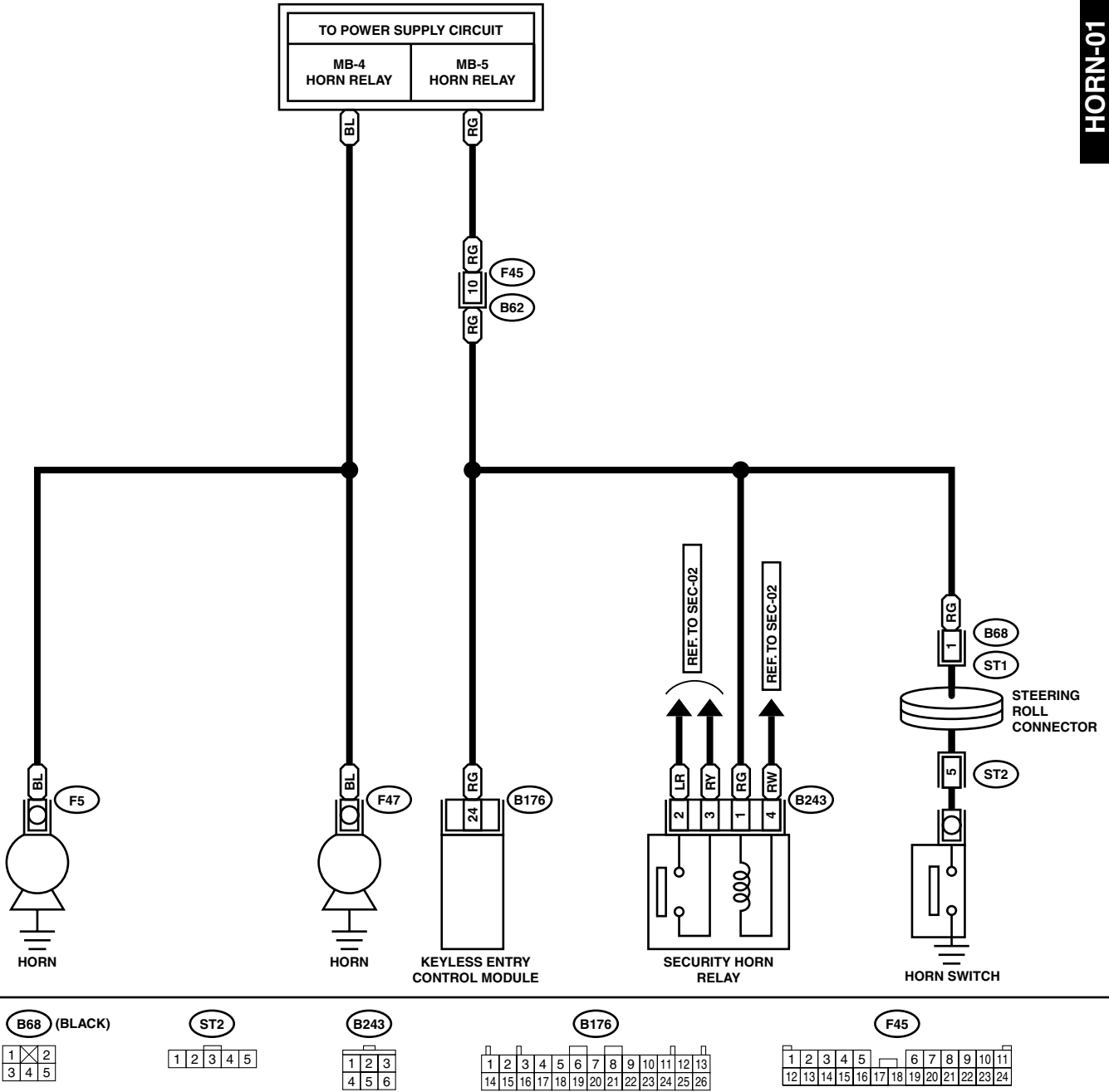


33.Horn System

A: WIRING DIAGRAM

HORN-01

HORN-01

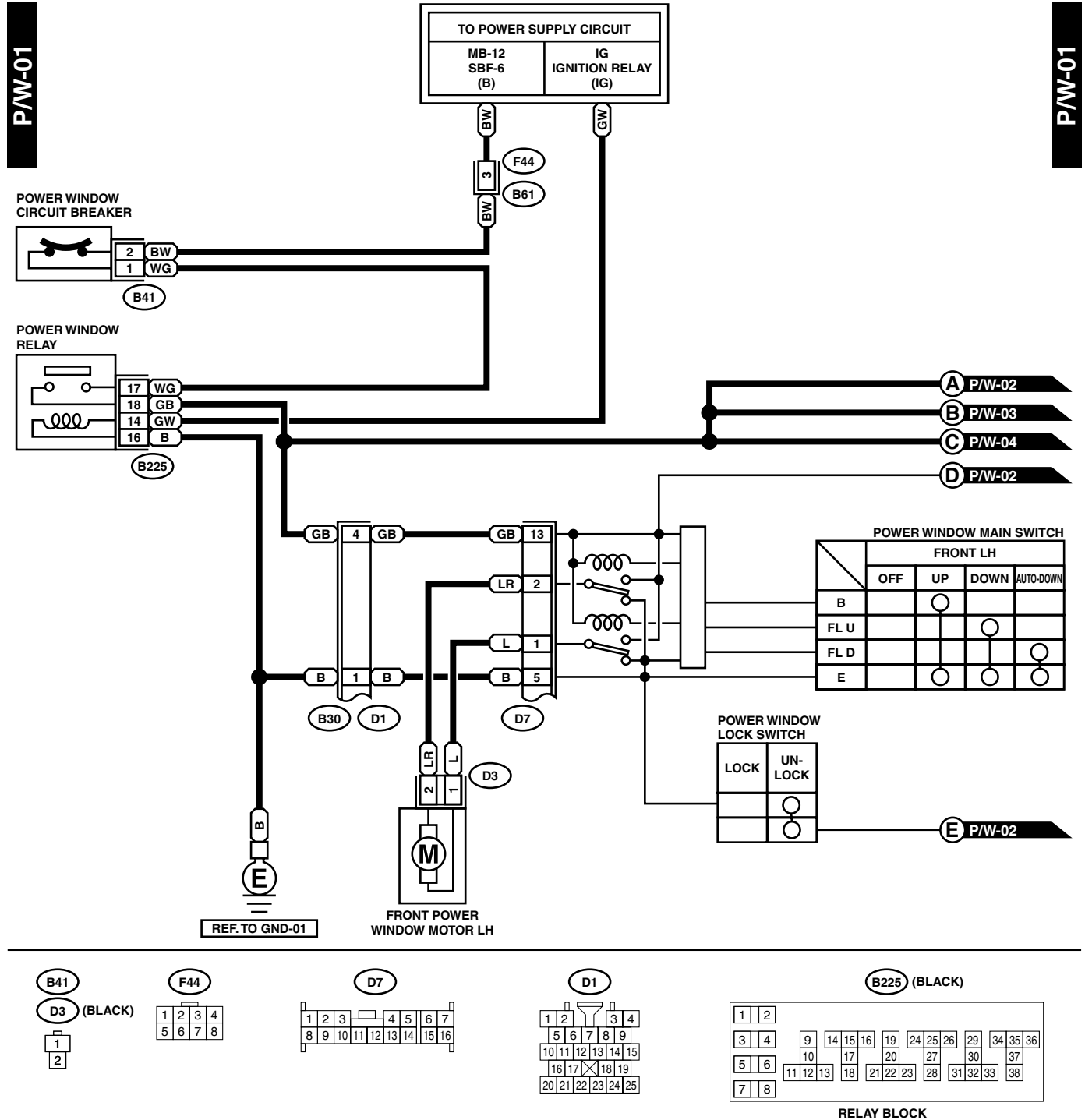


Power Window System

WIRING SYSTEM

34. Power Window System

A: WIRING DIAGRAM



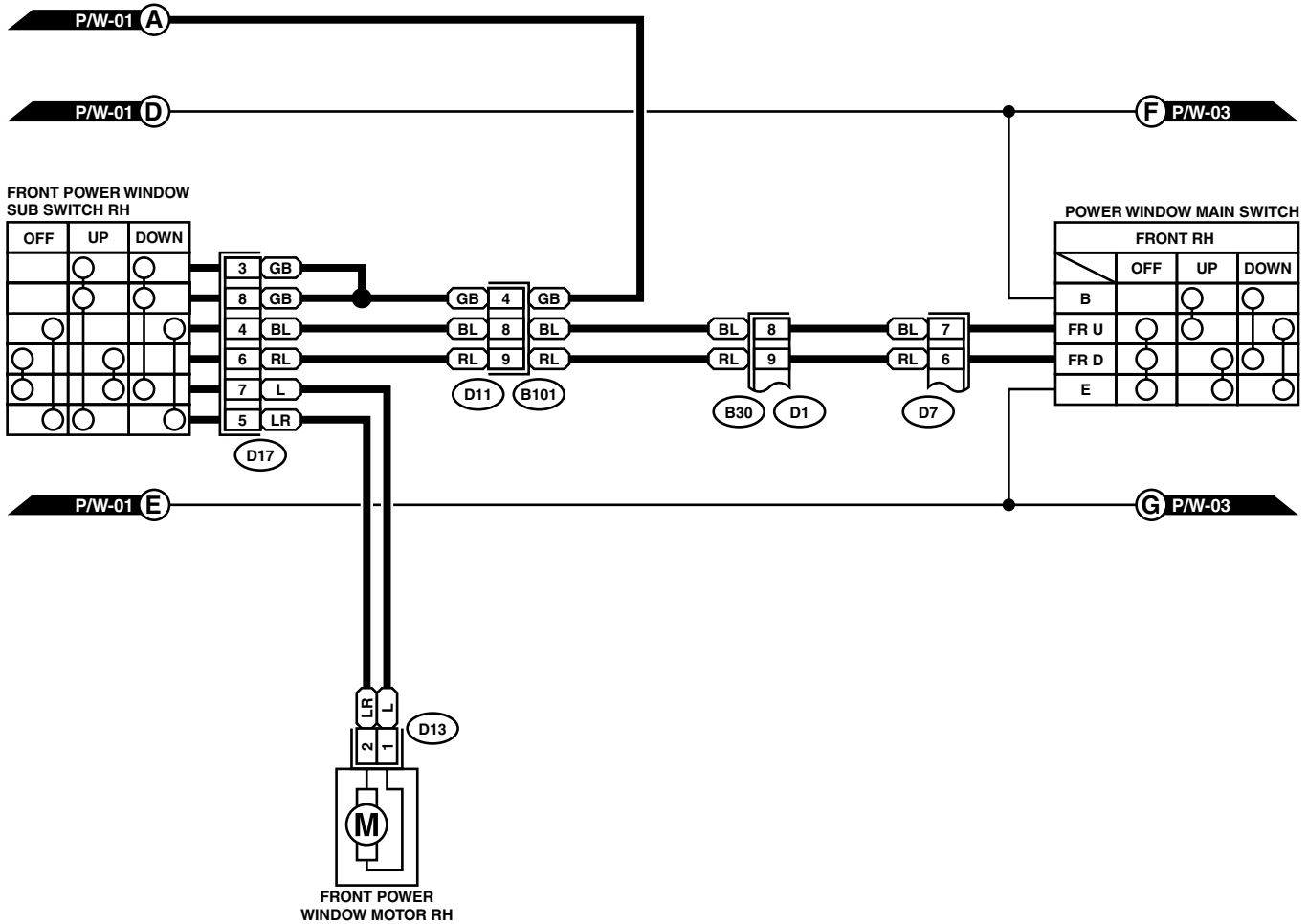
WI-08989

Power Window System

WIRING SYSTEM

P/W-02

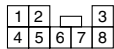
P/W-02



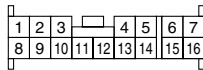
D13 (BLACK)



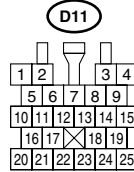
D17 (BROWN)



D7



D1



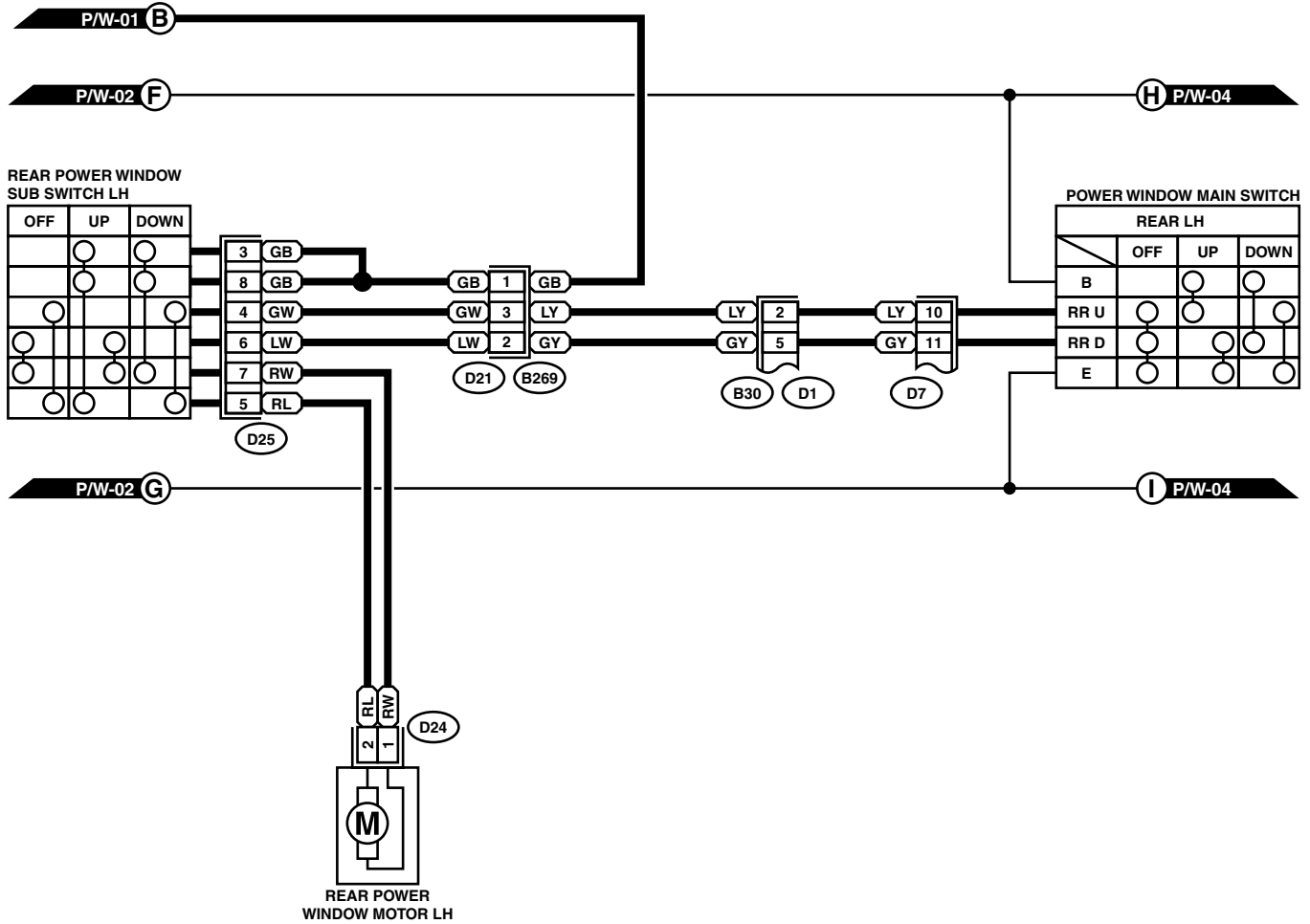
WI-08990

Power Window System

WIRING SYSTEM

P/W-03

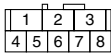
P/W-03



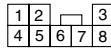
D24 (BLACK)



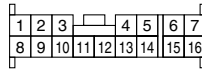
D21



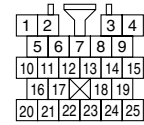
D25



D7



D1



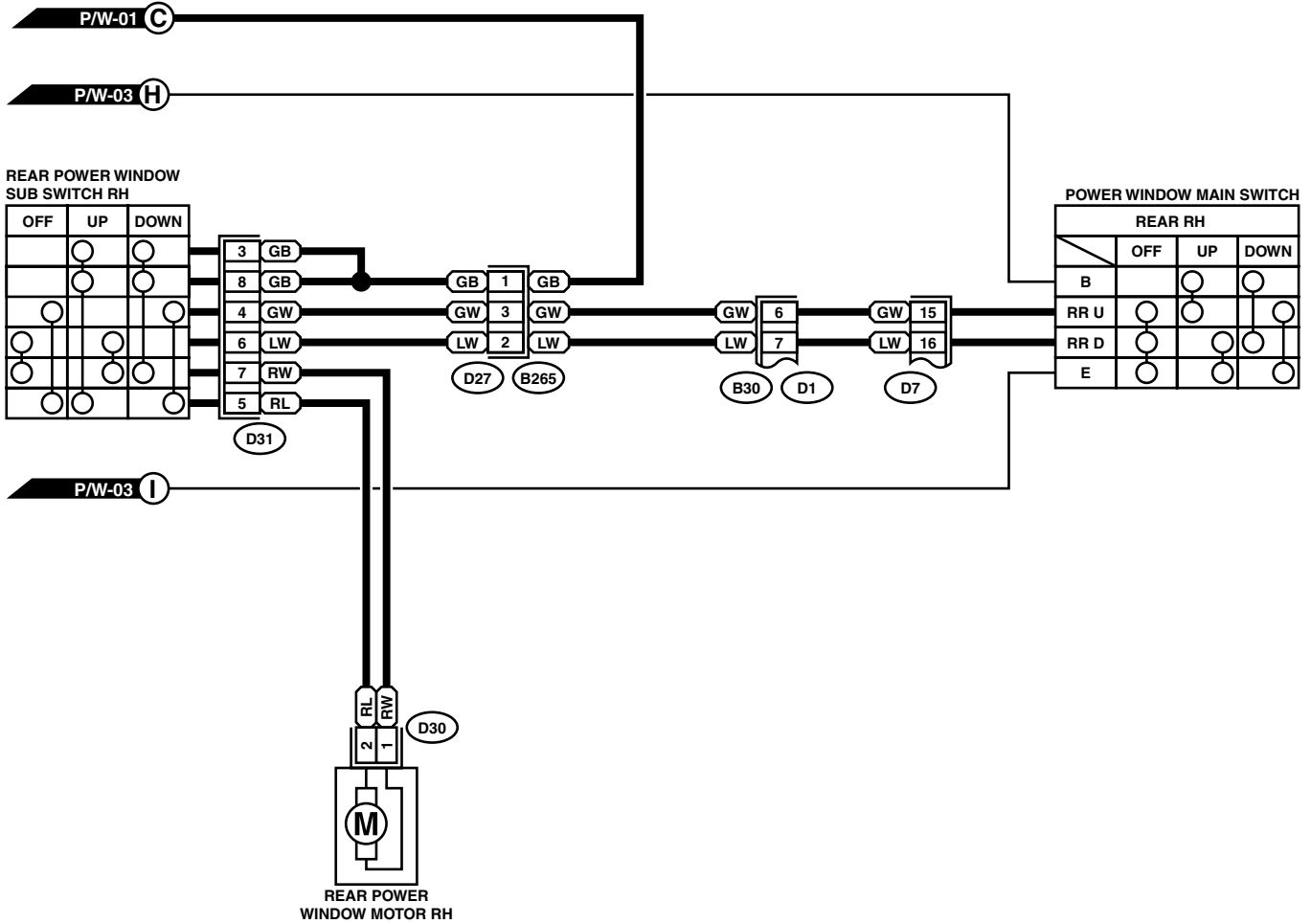
WI-08991

Power Window System

WIRING SYSTEM

P/W-04

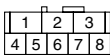
P/W-04



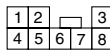
D30 (BLACK)



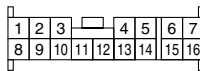
D27



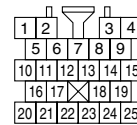
D31



D7



D1



WI-08992

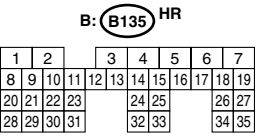
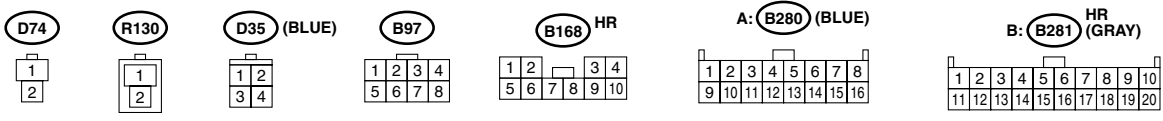
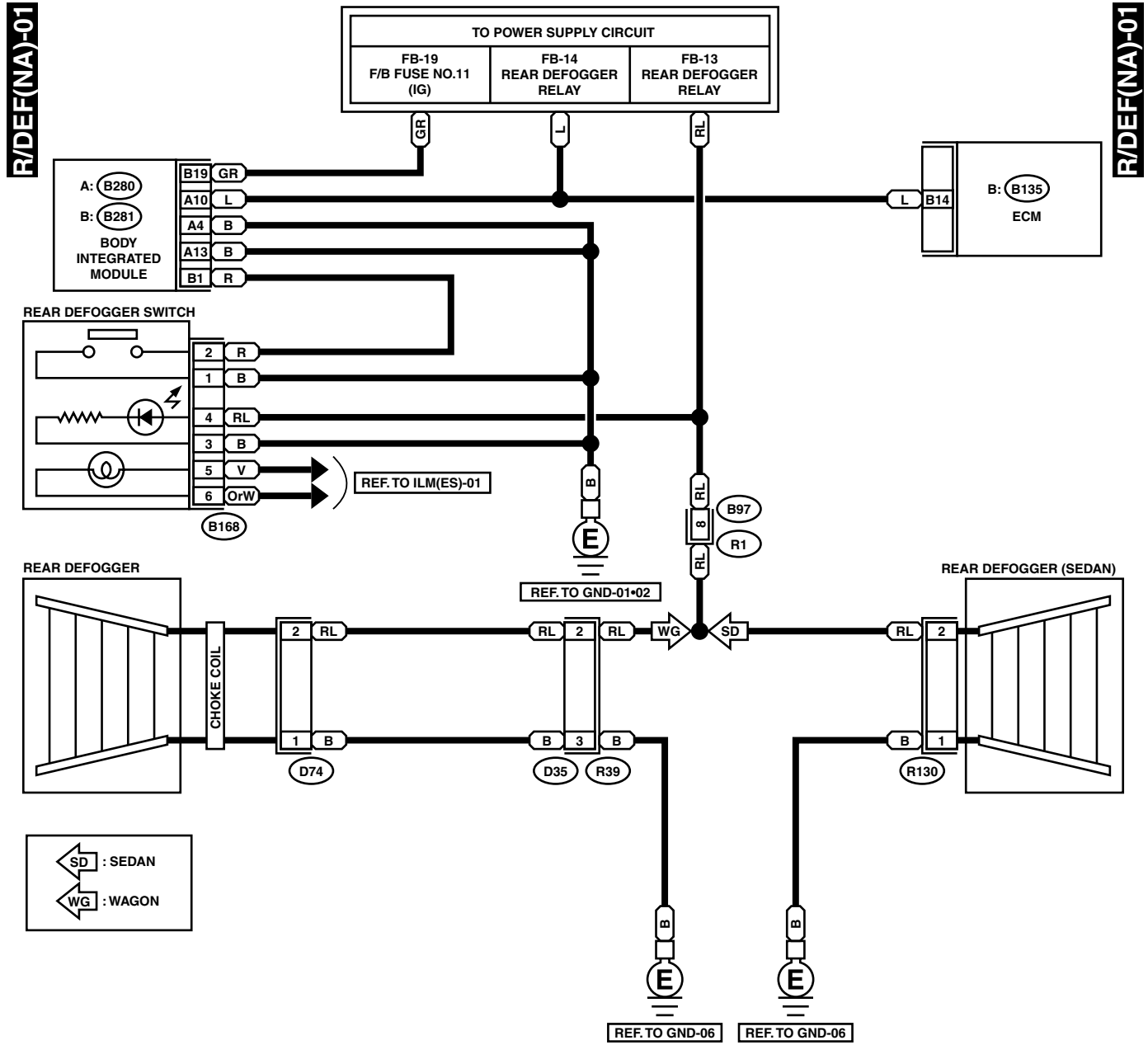
Rear Defogger System

WIRING SYSTEM

35.Rear Defogger System

A: WIRING DIAGRAM

1. NON-TURBO MODEL

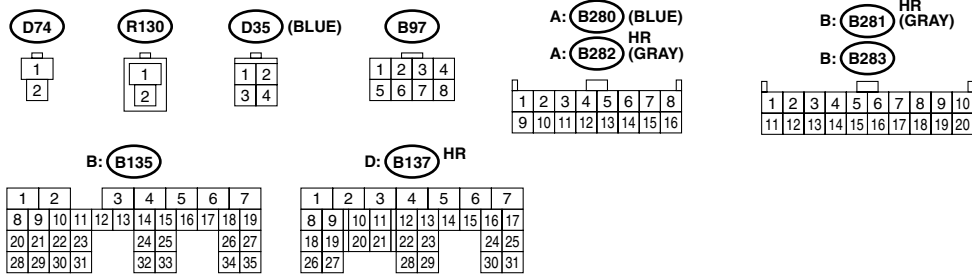
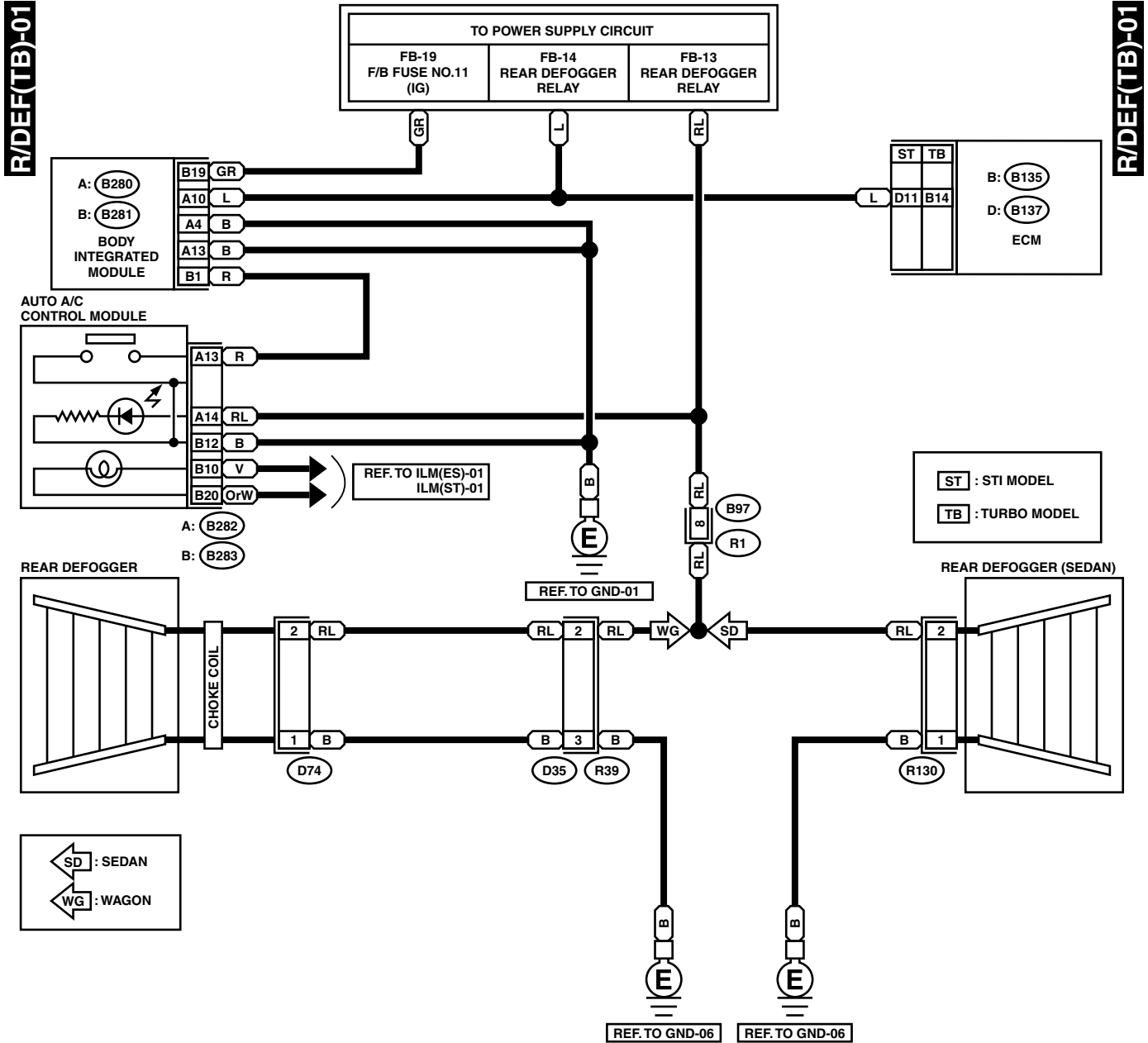


WI-08993

Rear Defogger System

WIRING SYSTEM

2. TURBO AND STI MODEL



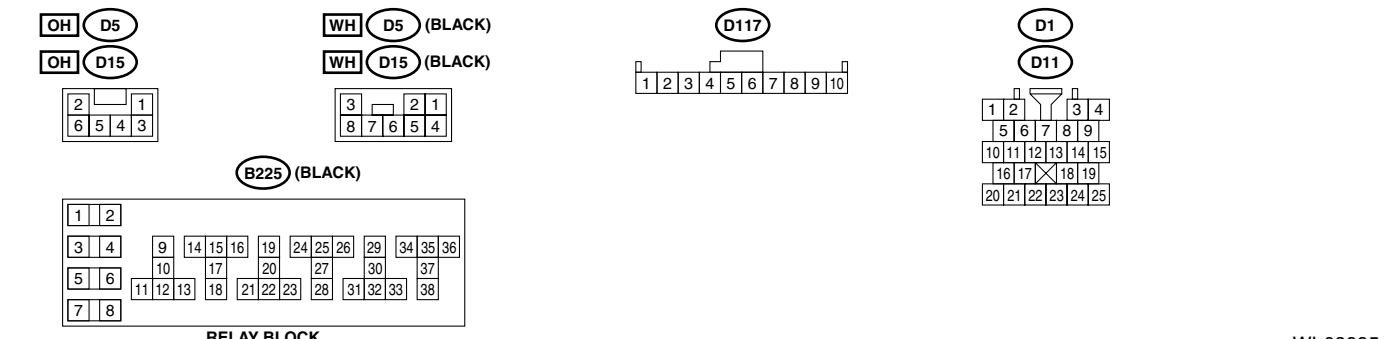
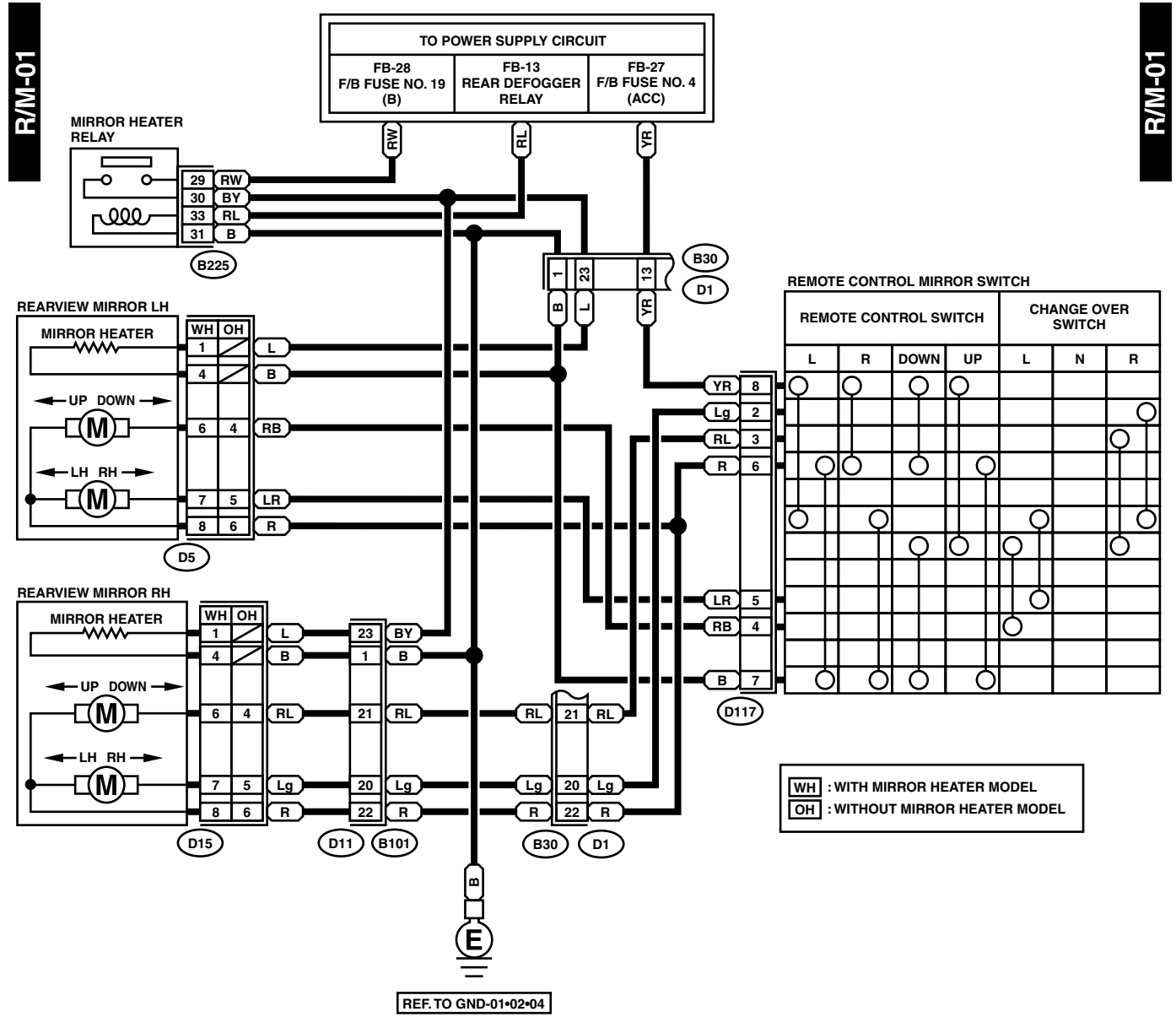
WI-08994

Remote Control Mirror System

WIRING SYSTEM

36. Remote Control Mirror System

A: WIRING DIAGRAM



WI-08995

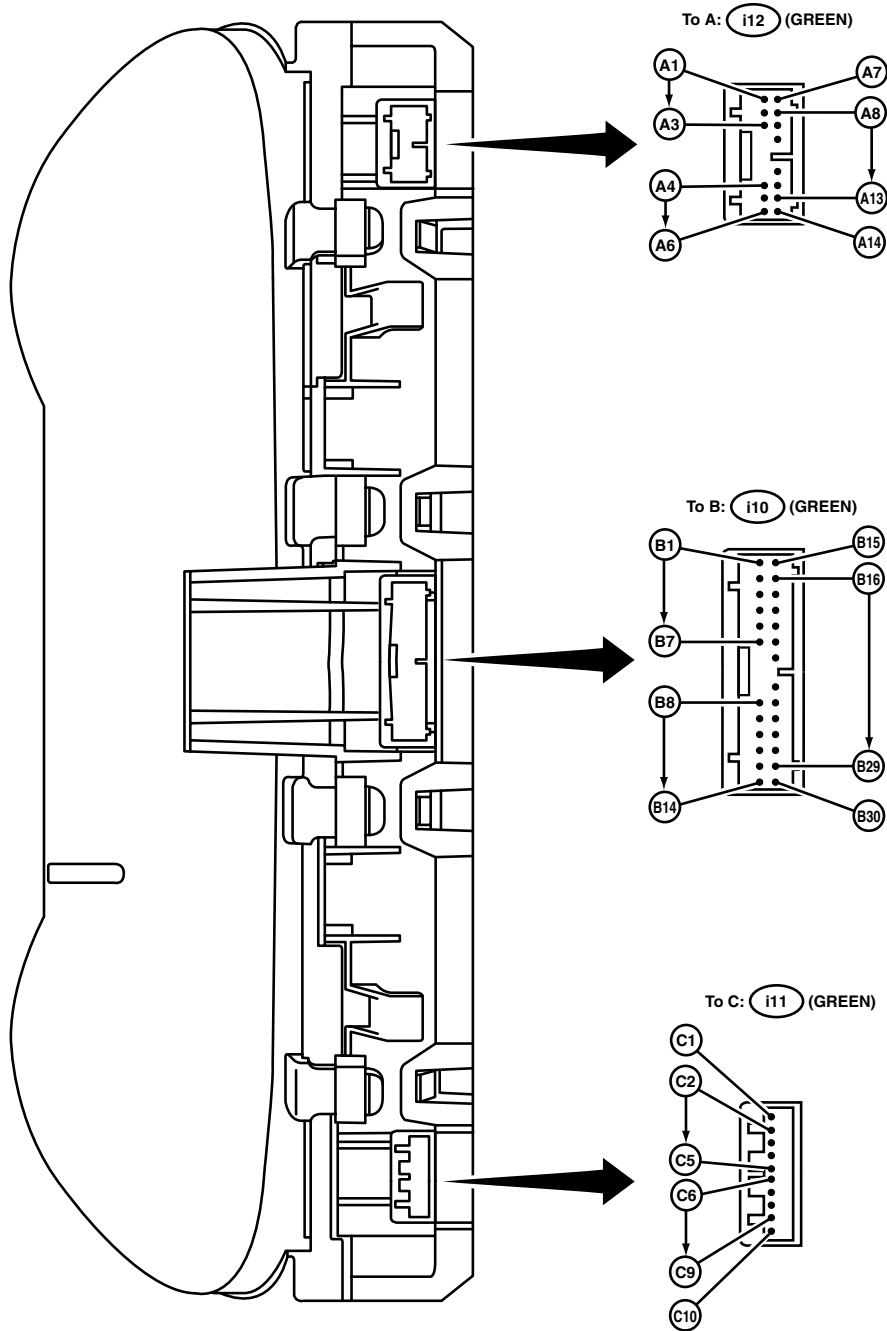
37. Combination Meter System

A: WIRING DIAGRAM

1. EXCEPT FOR STI MODEL

CM(ES)-01

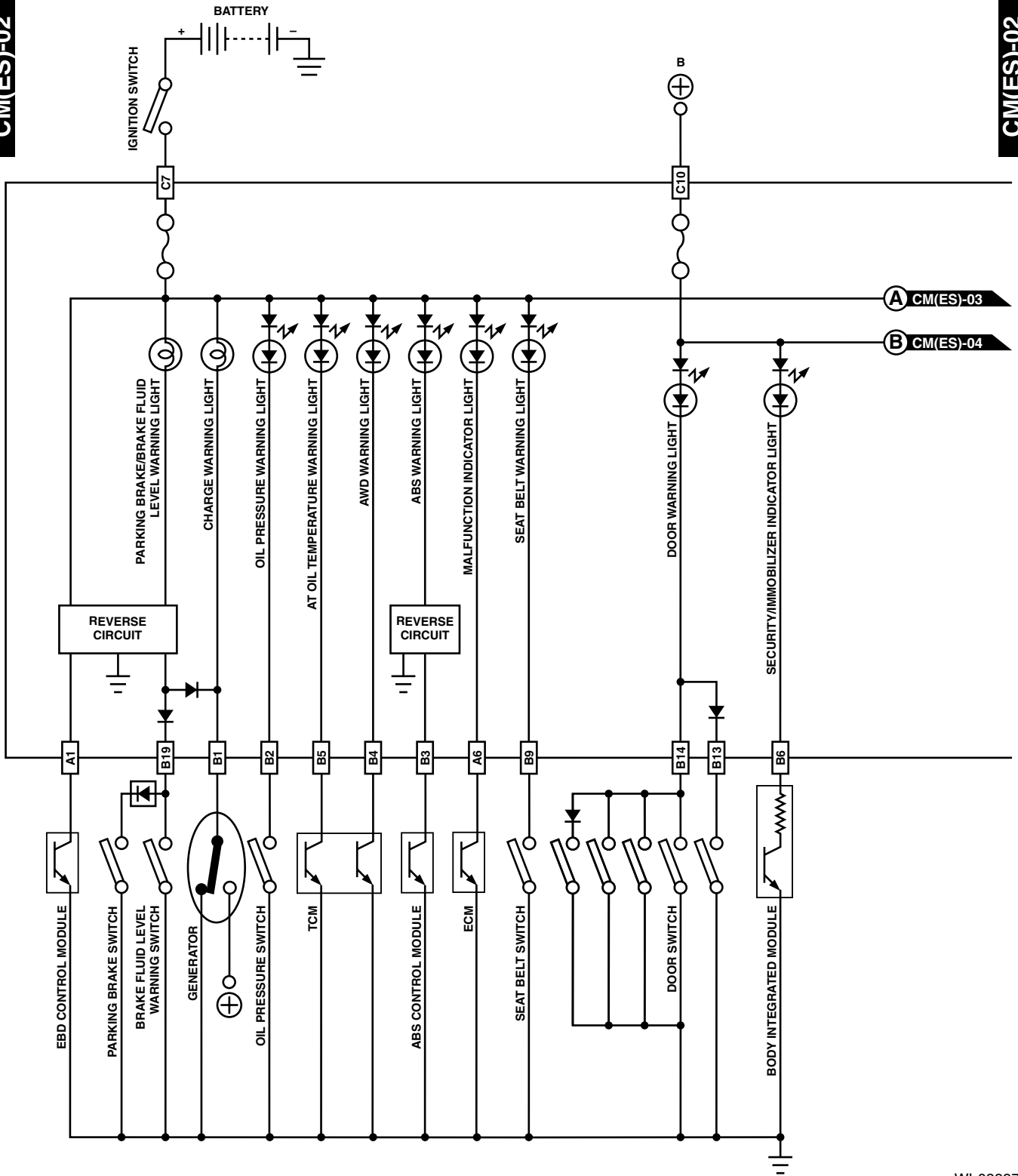
CM(ES)-01



Combination Meter System

WIRING SYSTEM

CM(ES)-02



CM(ES)-02

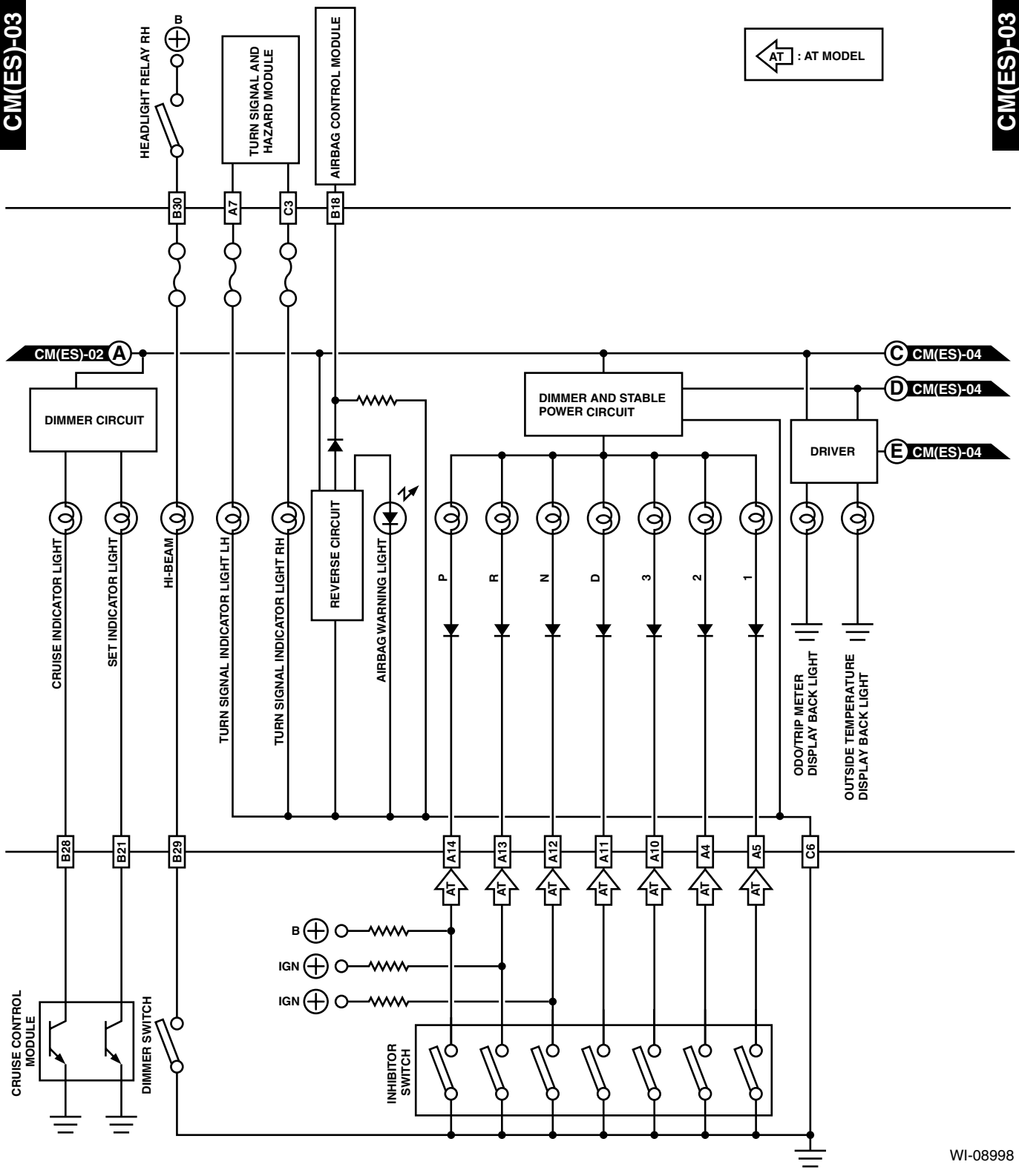
WI-08997

Combination Meter System

WIRING SYSTEM

CM(ES)-03

CM(ES)-03



← AT : AT MODEL

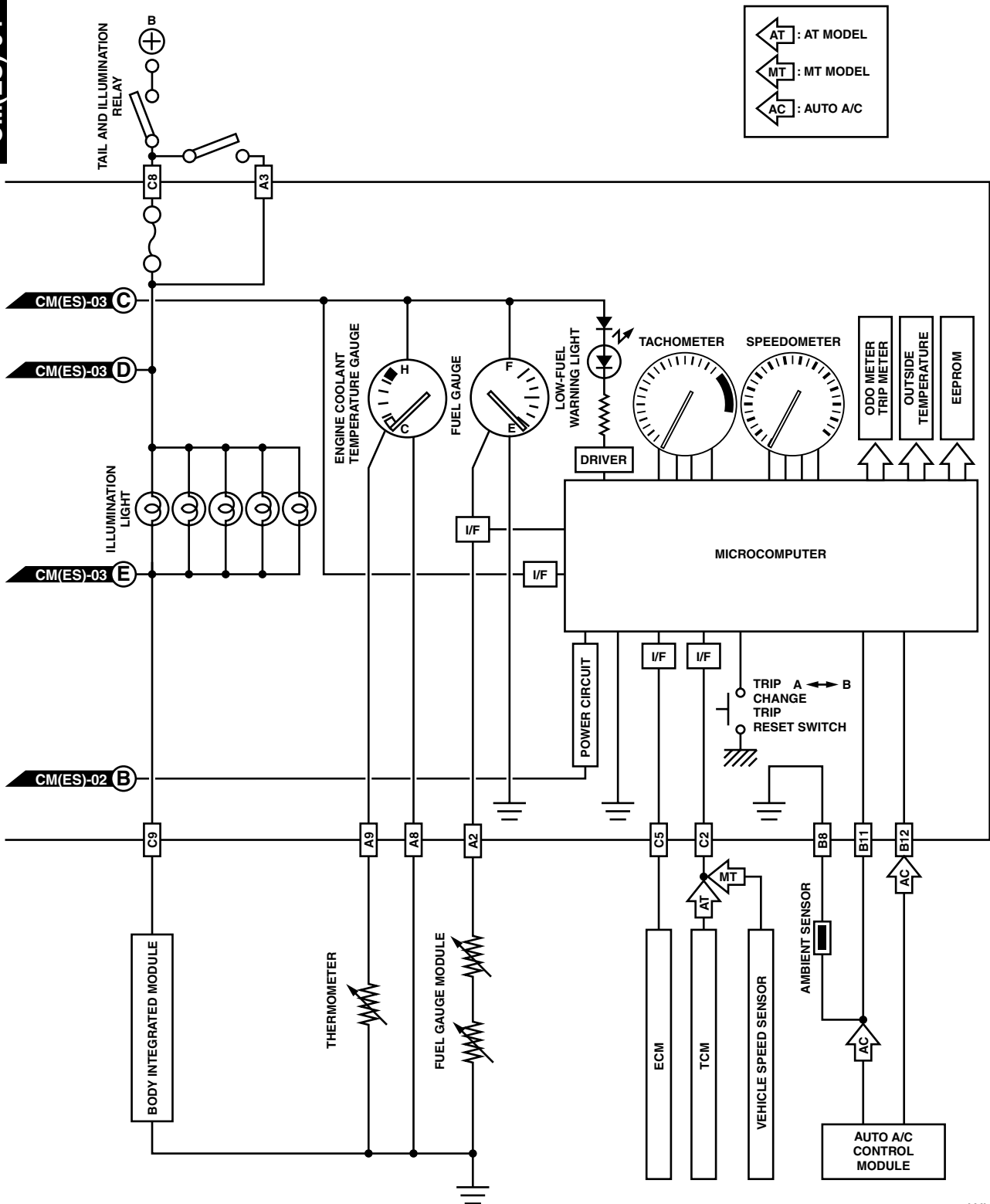
WI-08998

Combination Meter System

WIRING SYSTEM

CM(ES)-04

CM(ES)-04



WI-08999

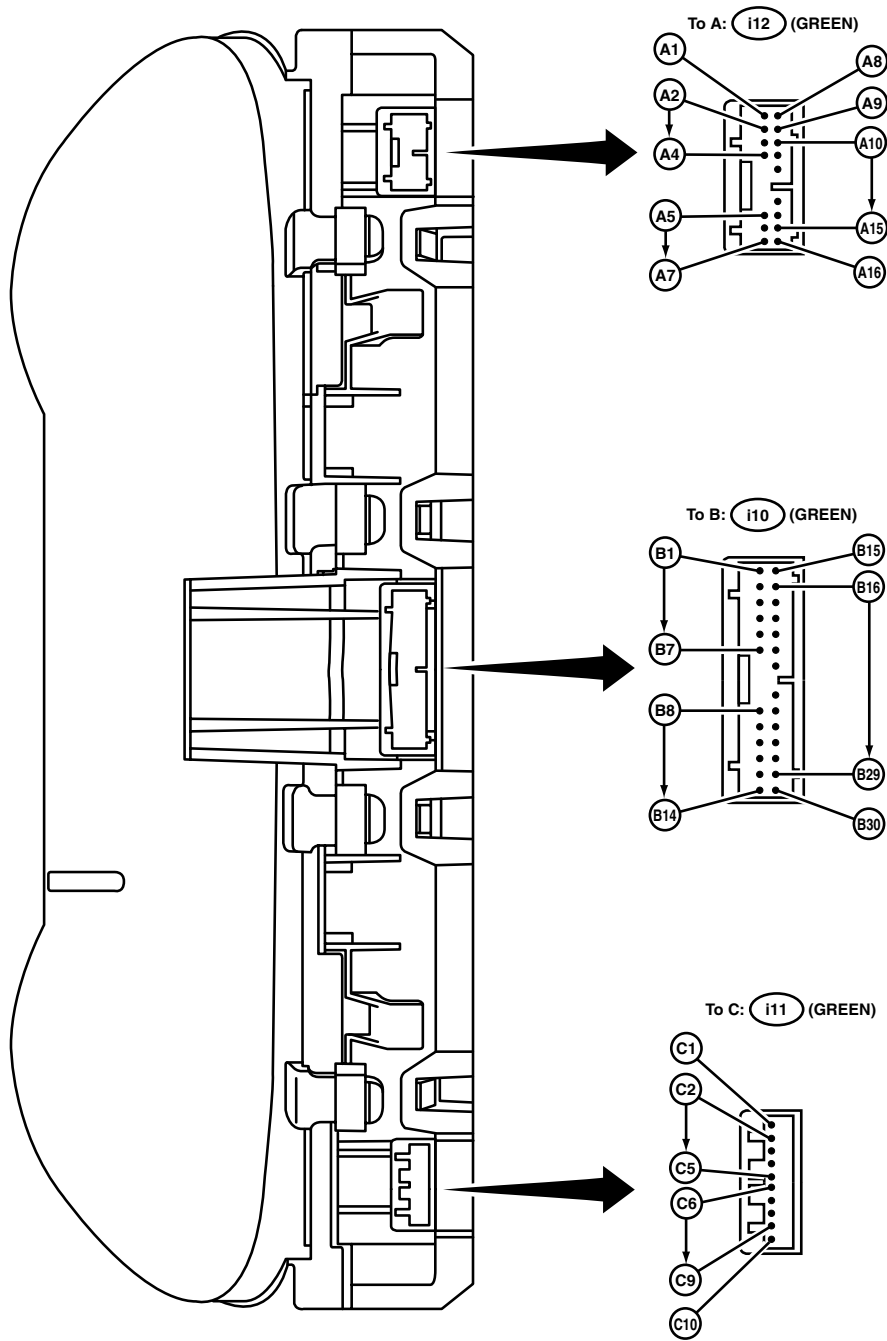
Combination Meter System

WIRING SYSTEM

2. STI MODEL

CM(ST)-01

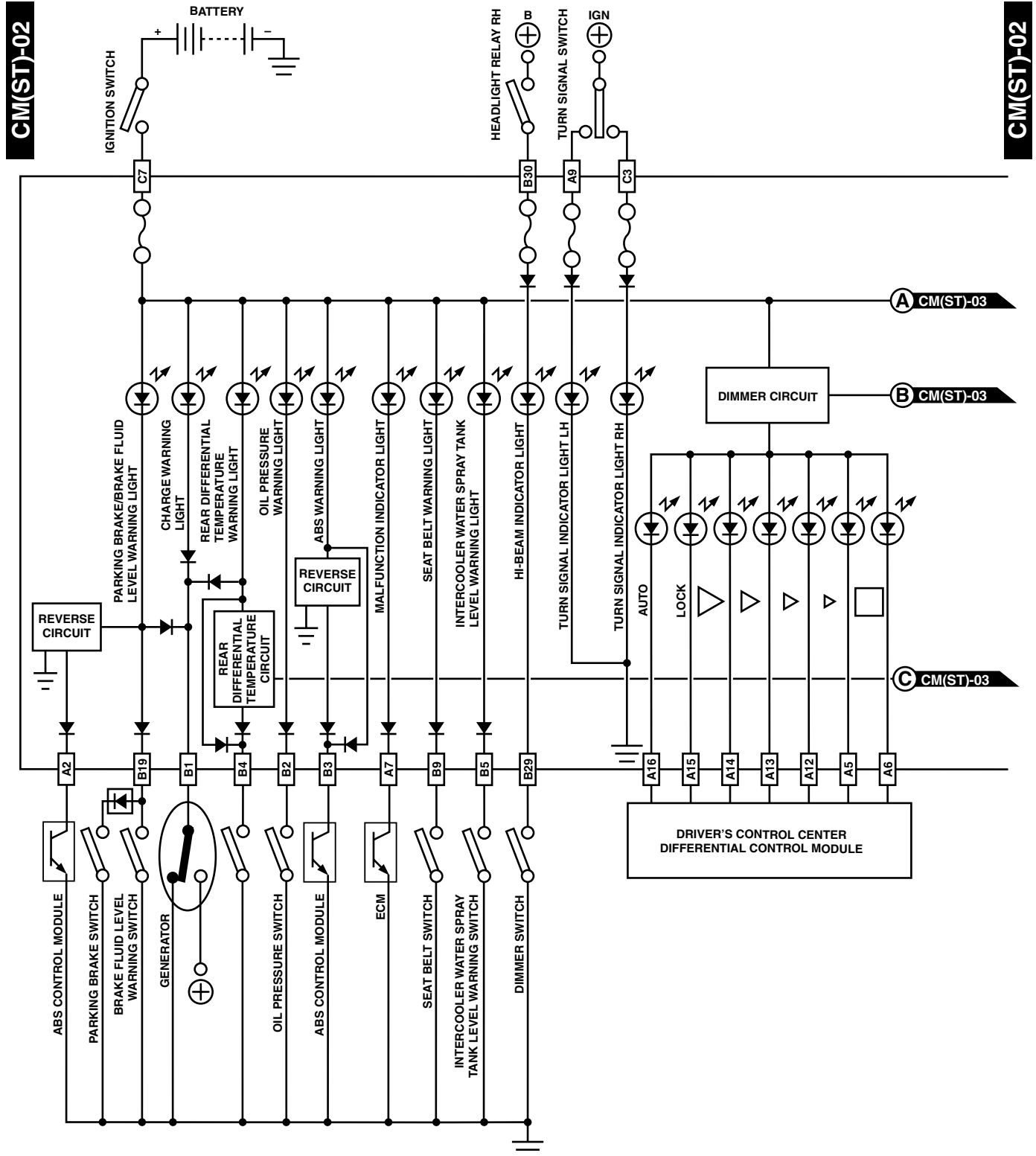
CM(ST)-01



WI-09000

Combination Meter System

WIRING SYSTEM



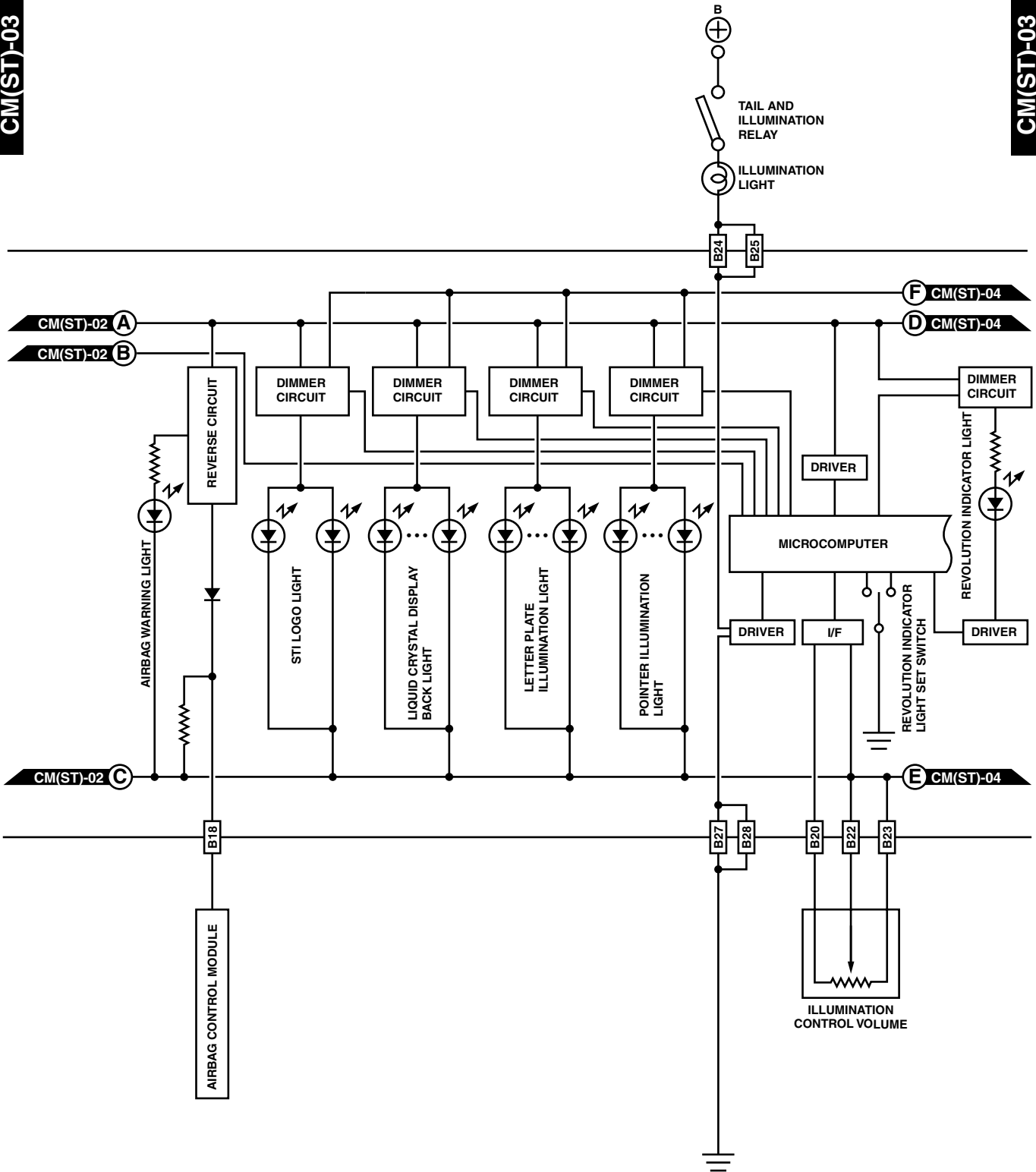
WI-09001

Combination Meter System

WIRING SYSTEM

CM(ST)-03

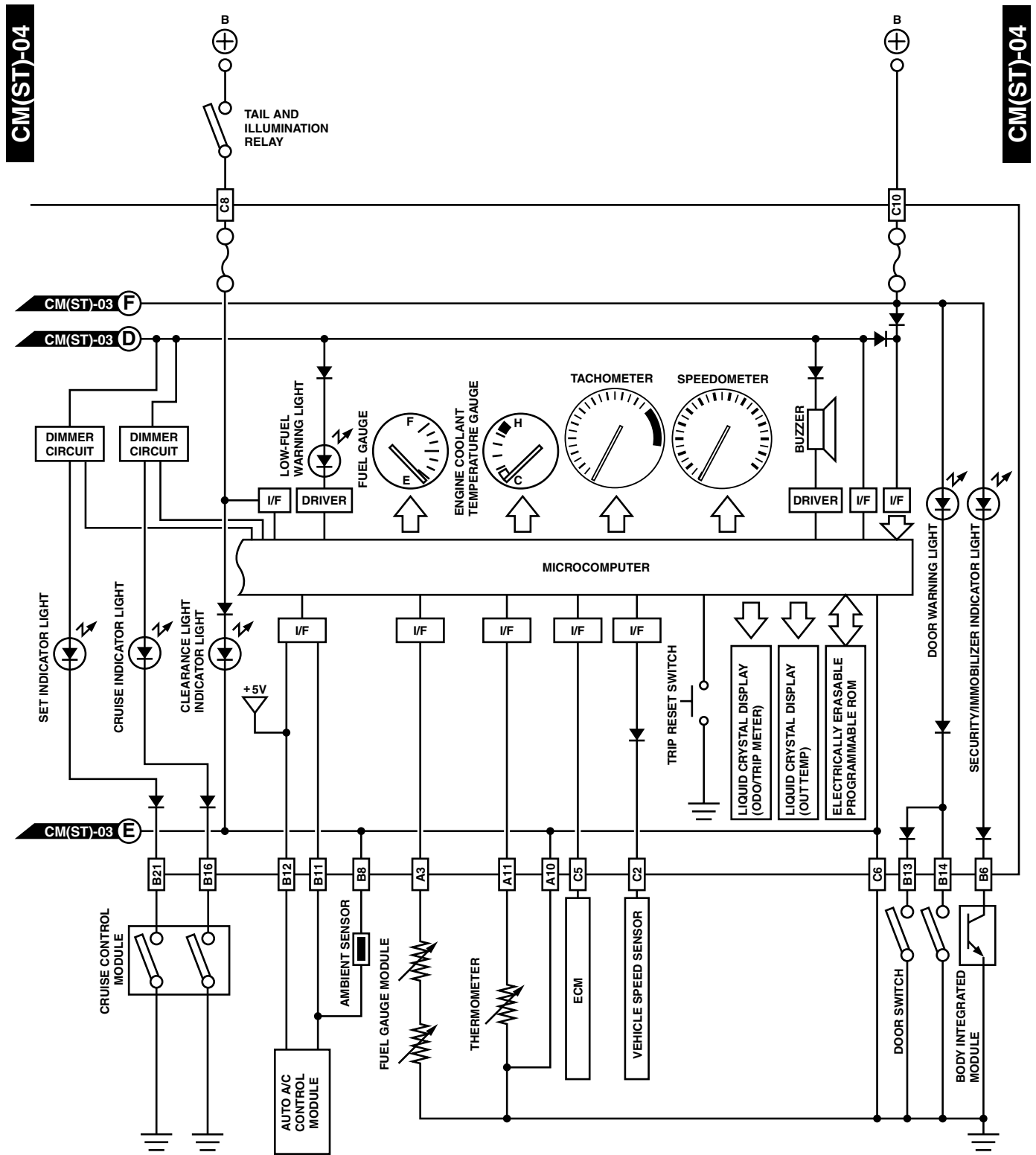
CM(ST)-03



WI-09002

Combination Meter System

WIRING SYSTEM



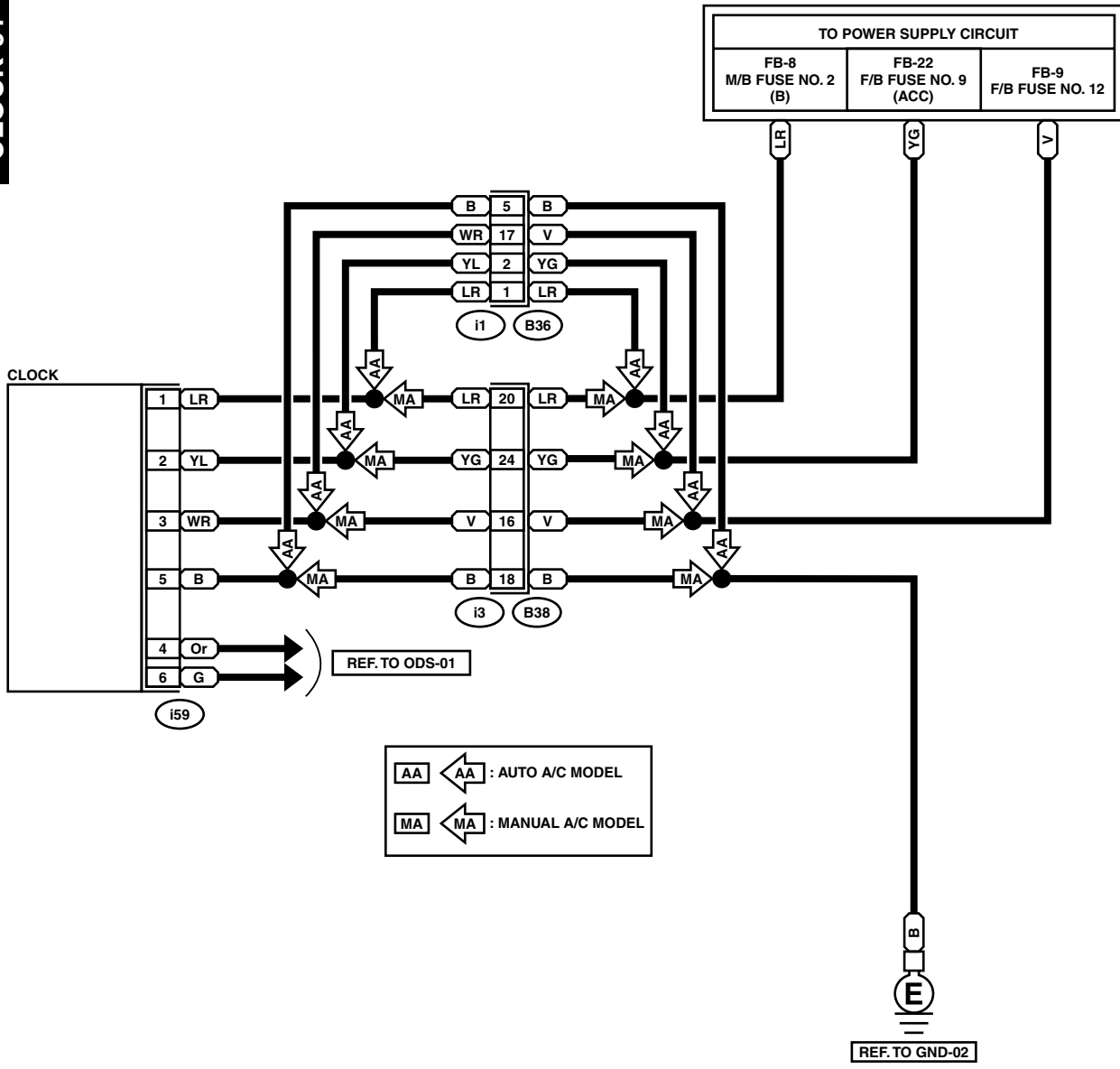
WI-09003

38.Clock System

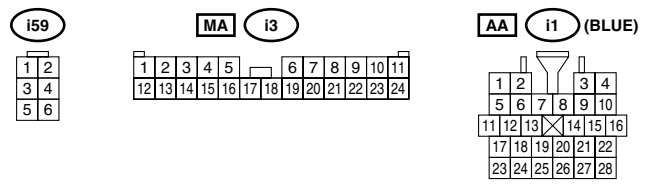
A: WIRING DIAGRAM

CLOCK-01

CLOCK-01



AA ← AA : AUTO A/C MODEL
MA ← MA : MANUAL A/C MODEL

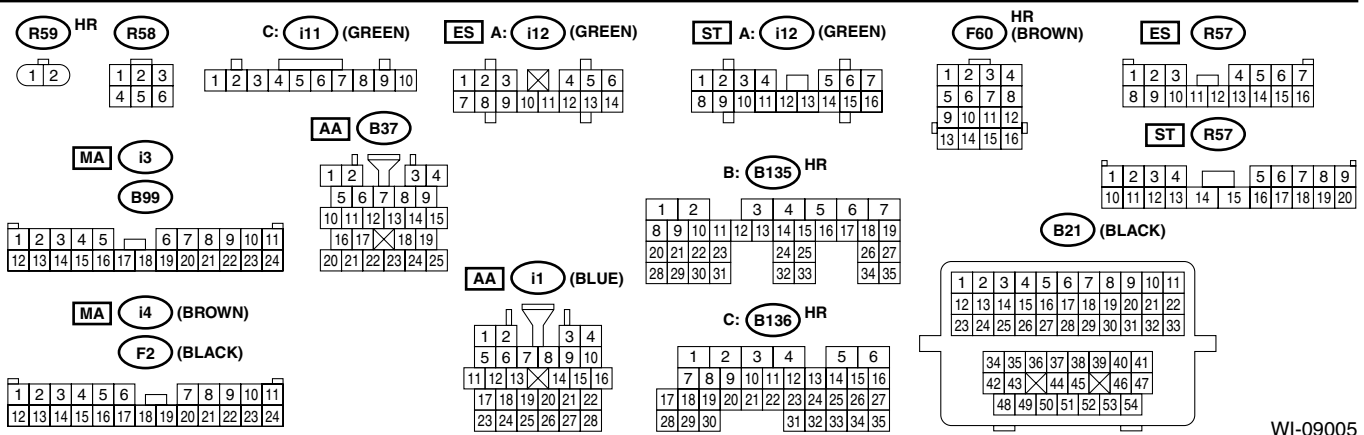
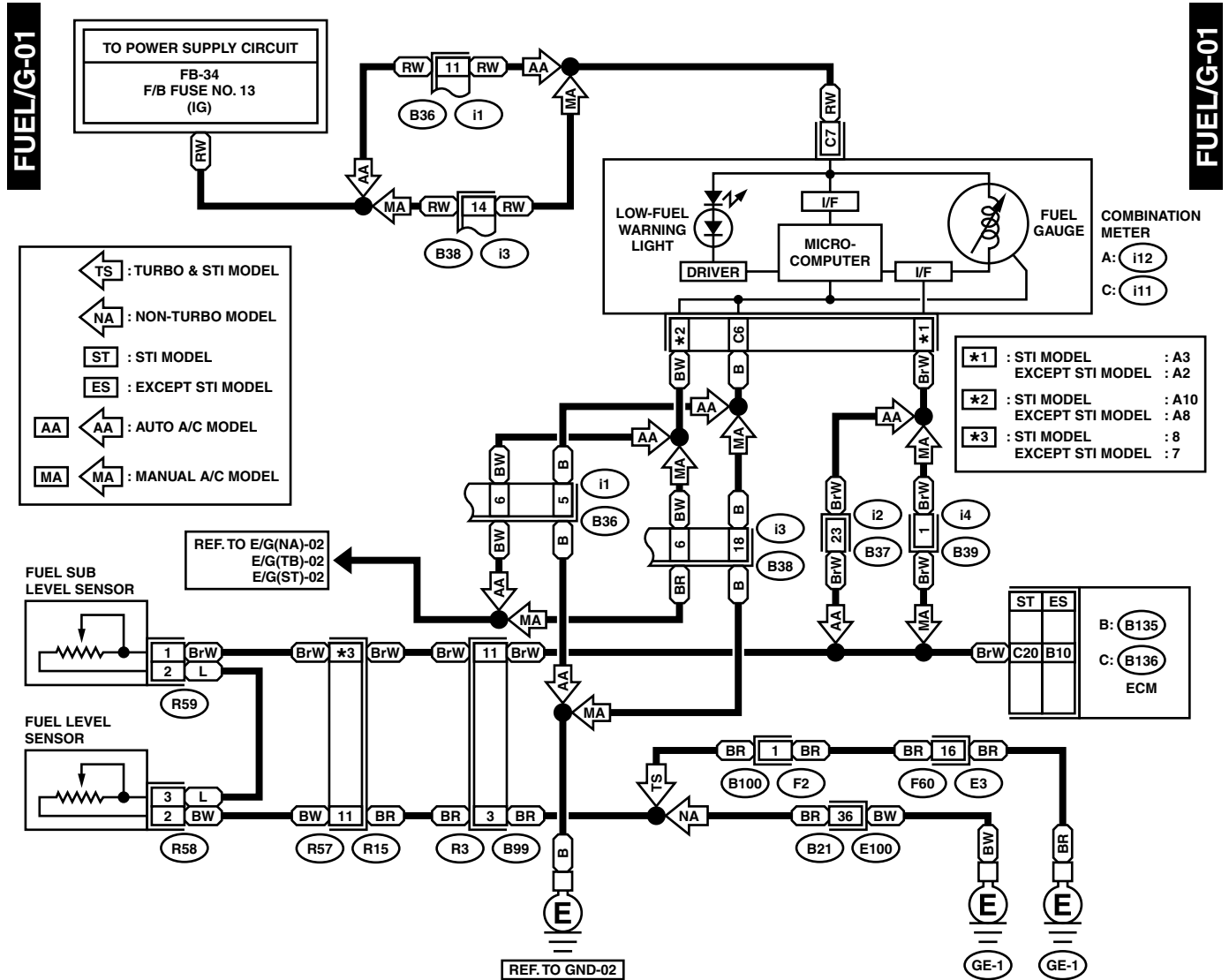


Fuel Gauge System

WIRING SYSTEM

39. Fuel Gauge System

A: WIRING DIAGRAM



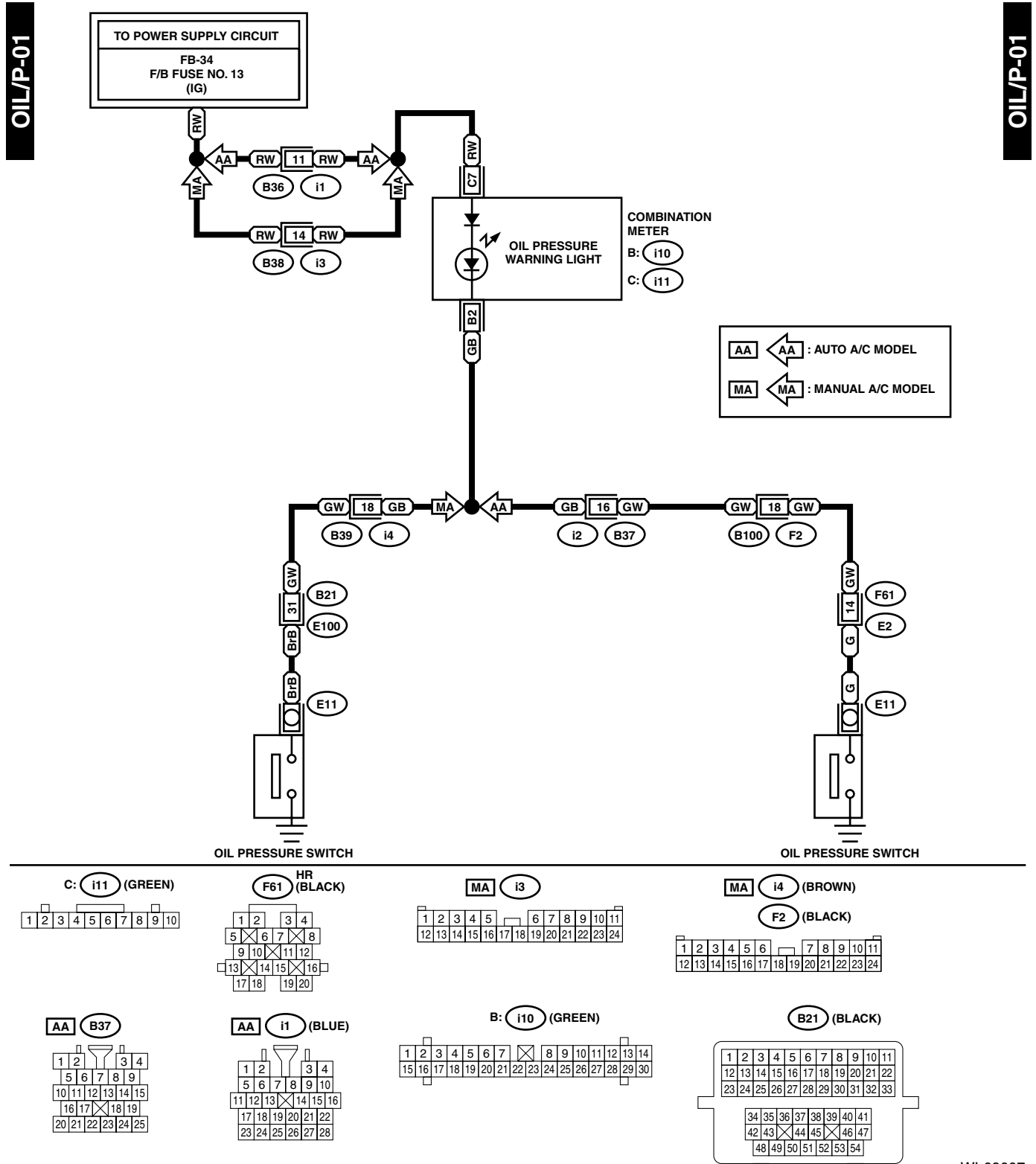
WI-09005

Oil Pressure Warning Light System

WIRING SYSTEM

41.Oil Pressure Warning Light System

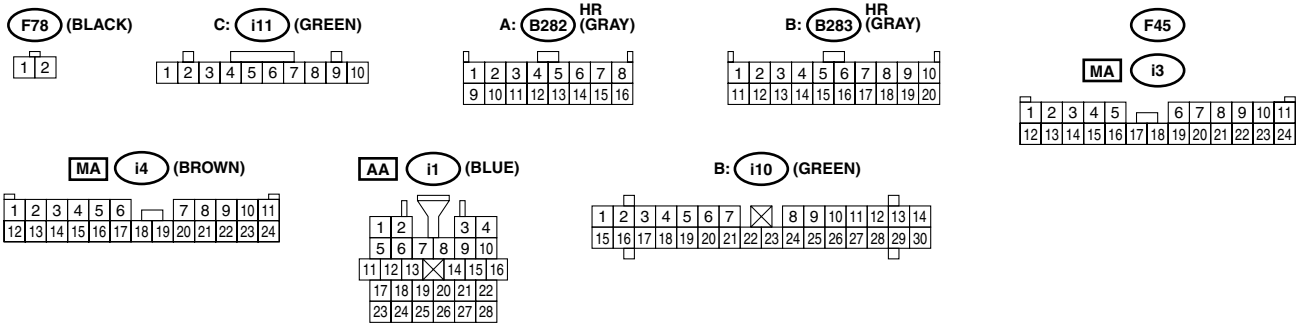
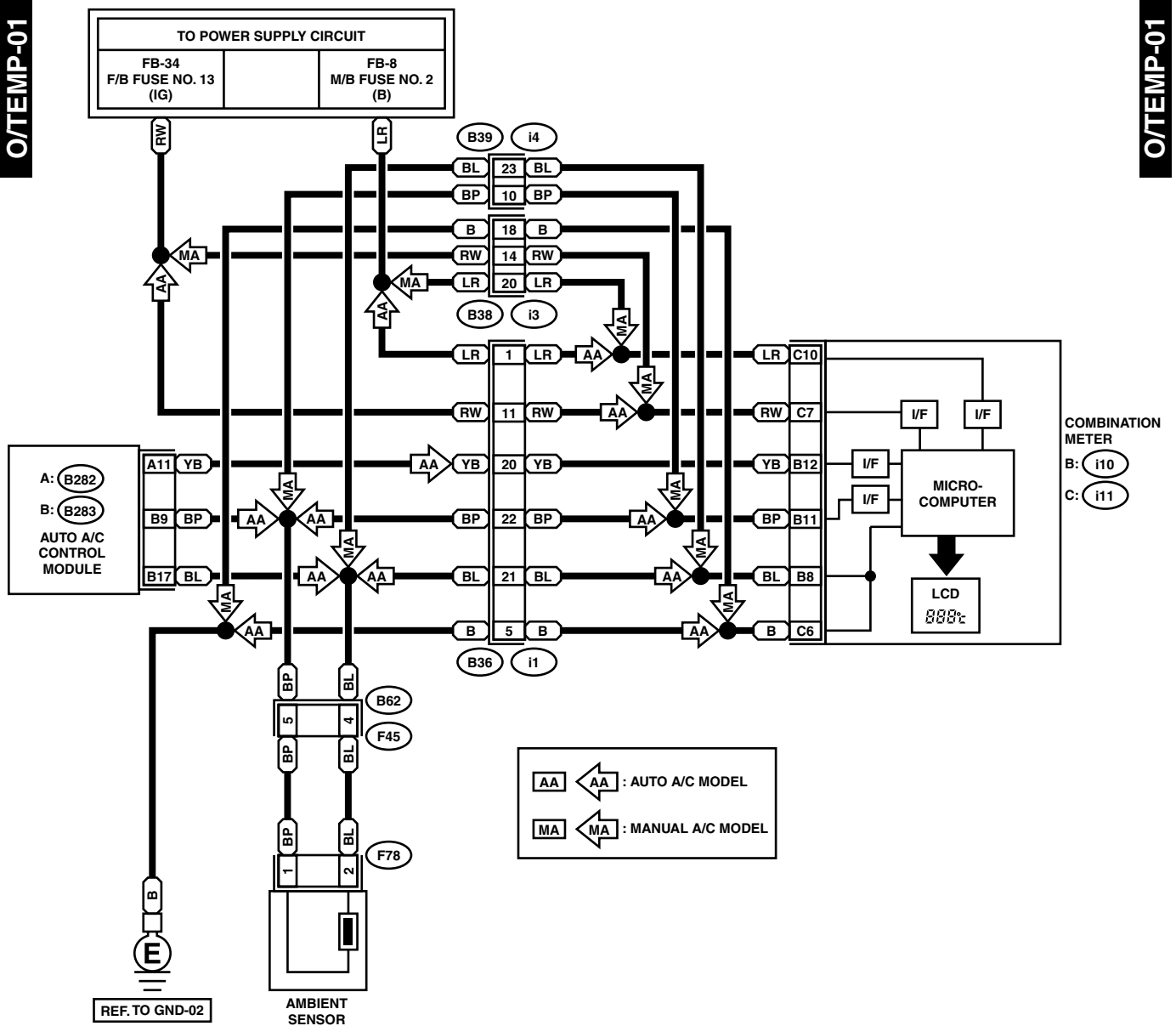
A: WIRING DIAGRAM



WI-09007

42. Outside Temperature Display System

A: WIRING DIAGRAM

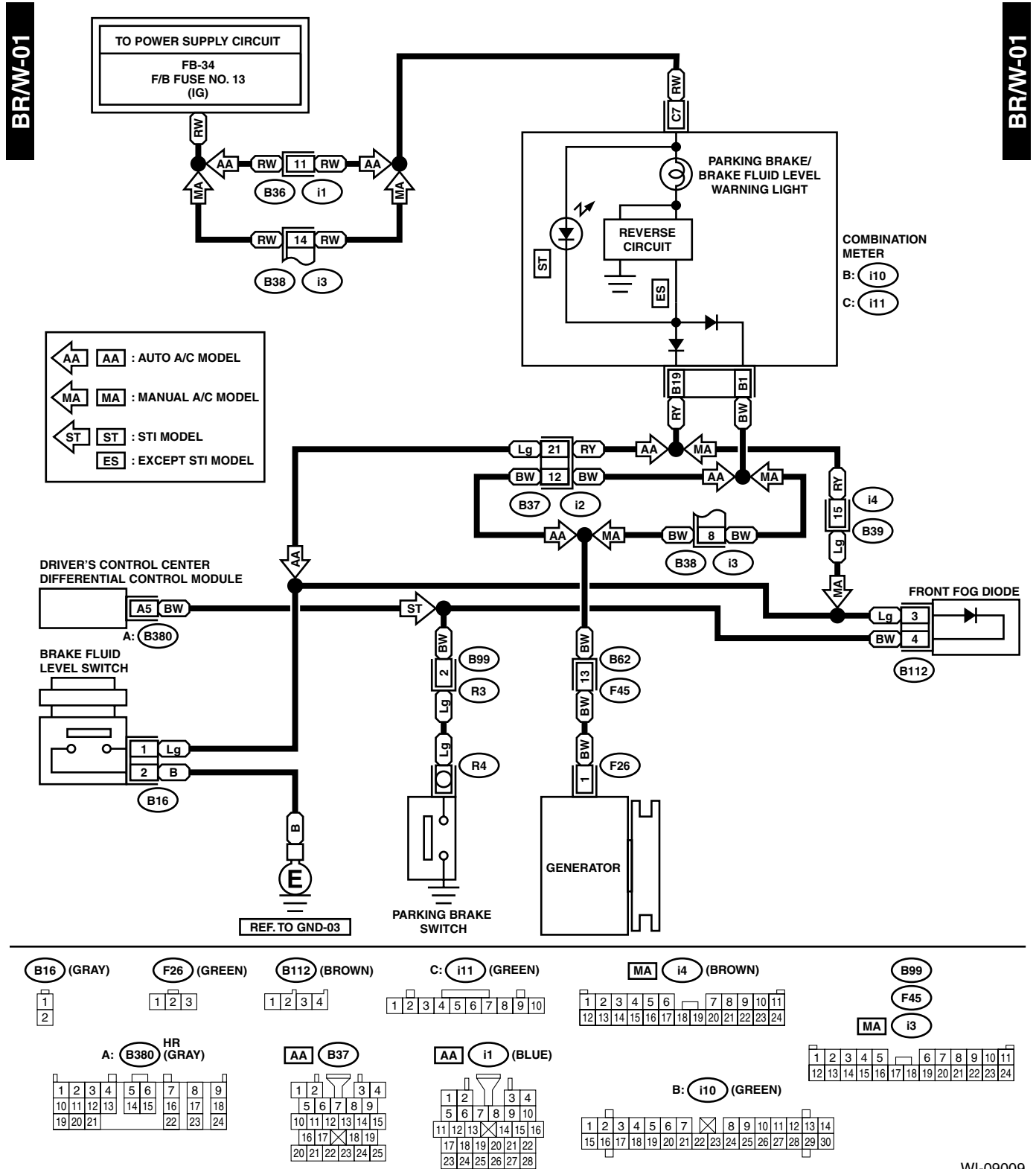


Parking Brake / Brake Fluid Level Warning Light System

WIRING SYSTEM

43. Parking Brake / Brake Fluid Level Warning Light System

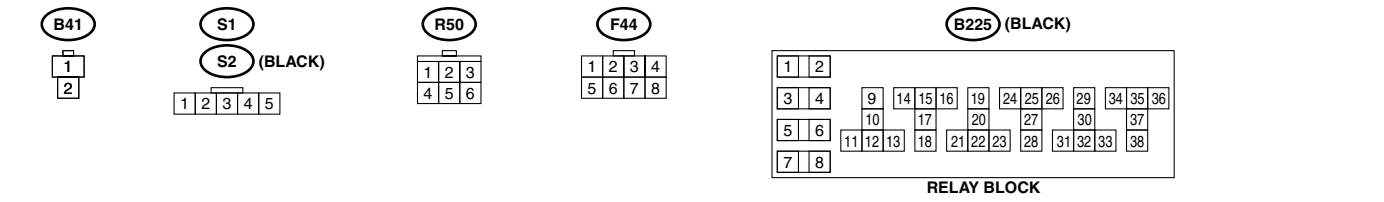
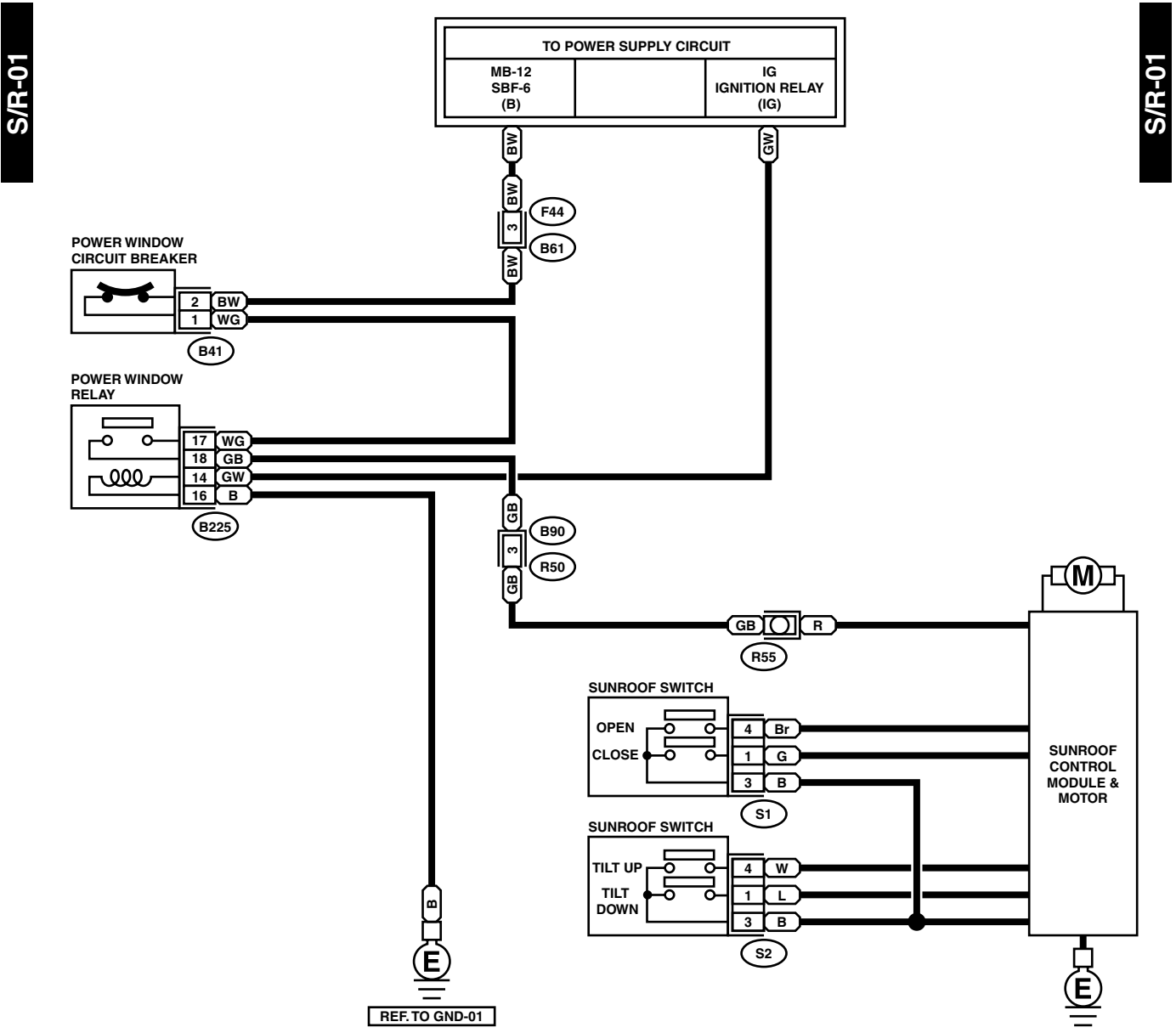
A: WIRING DIAGRAM



WI-09009

44.Sunroof Control System

A: WIRING DIAGRAM

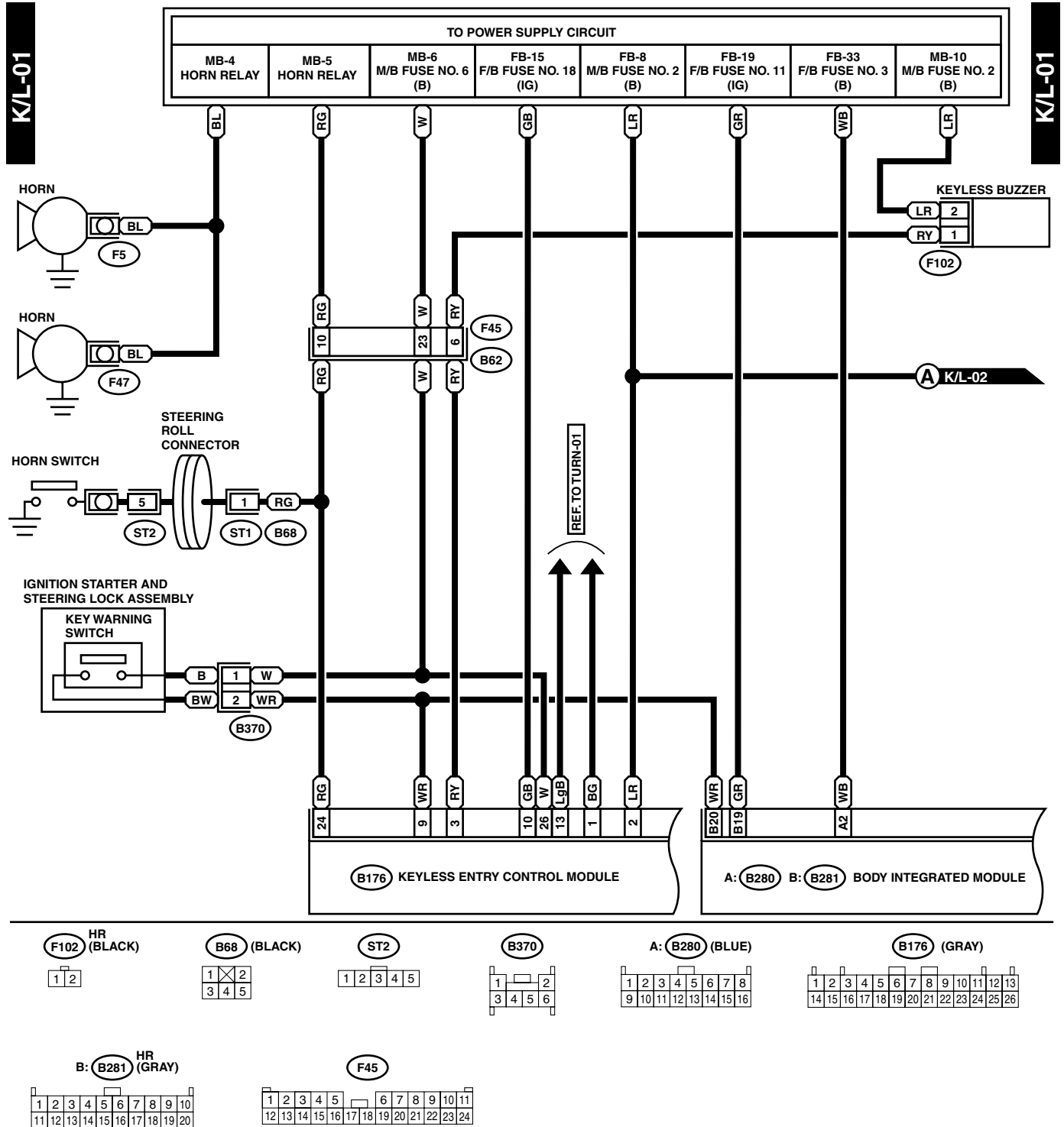


Keyless Entry System

WIRING SYSTEM

45. Keyless Entry System

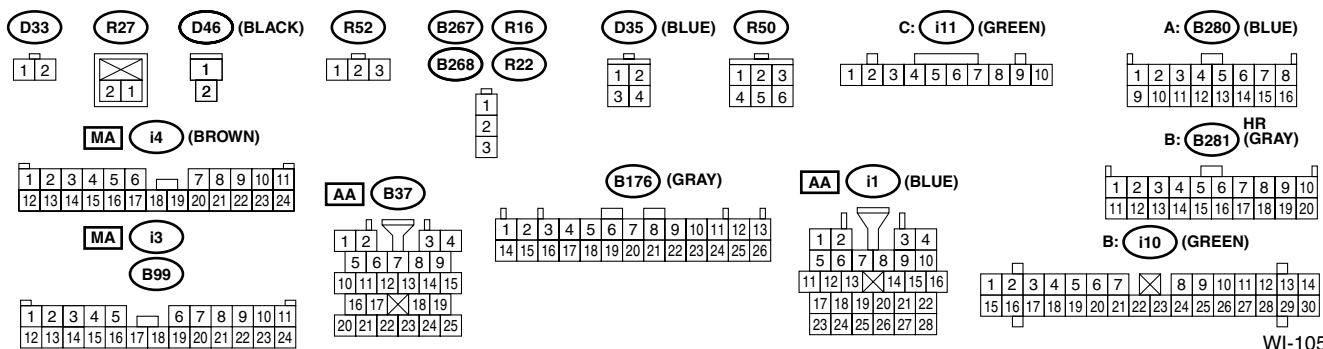
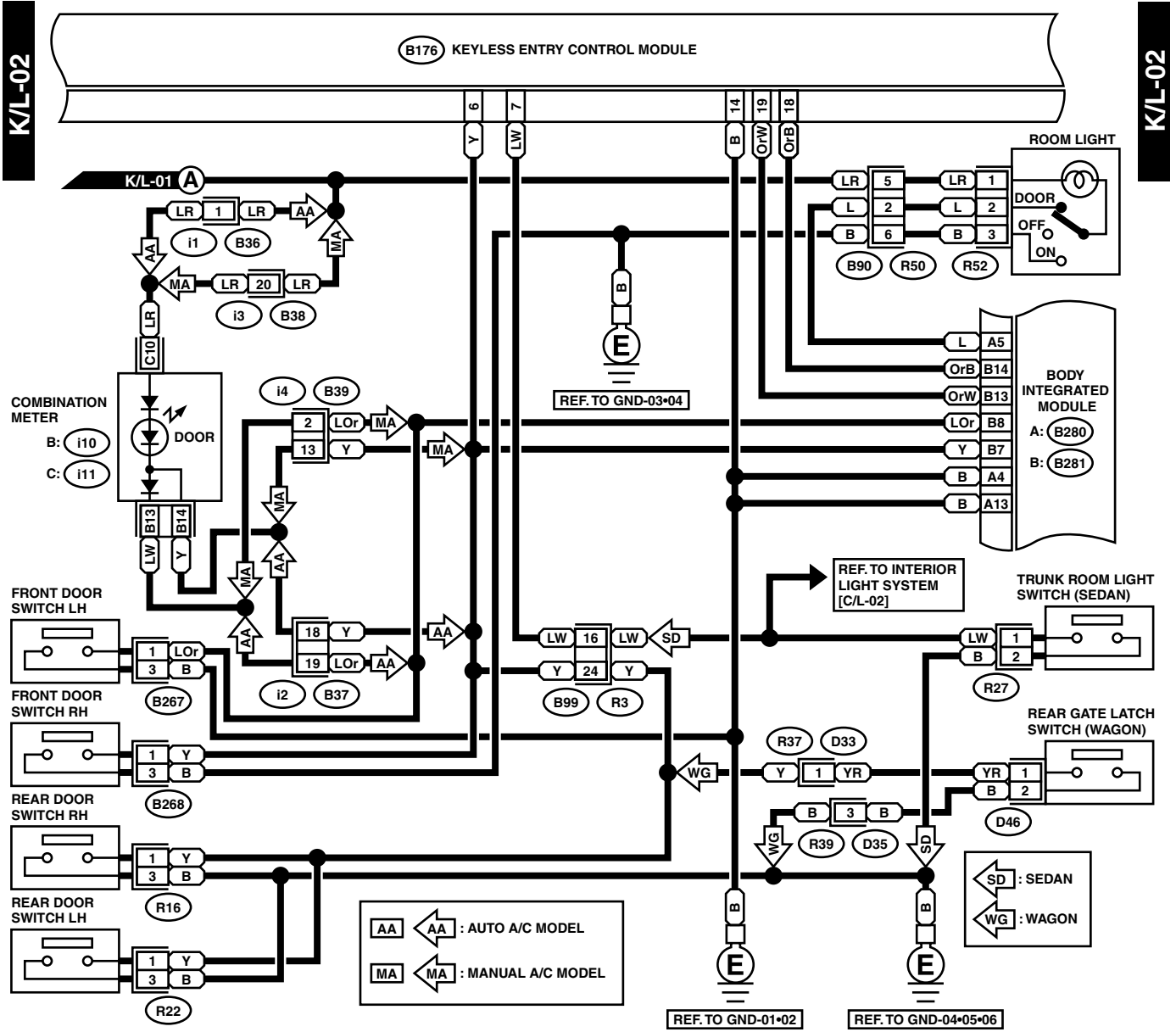
A: WIRING DIAGRAM



WI-09011

Keyless Entry System

WIRING SYSTEM



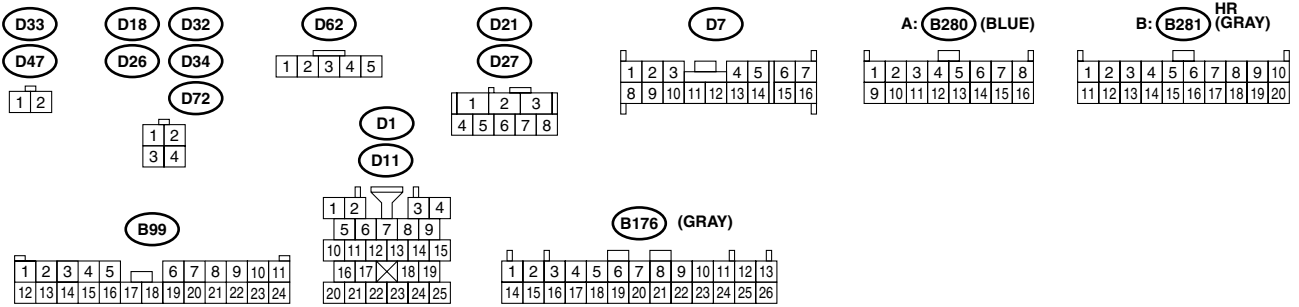
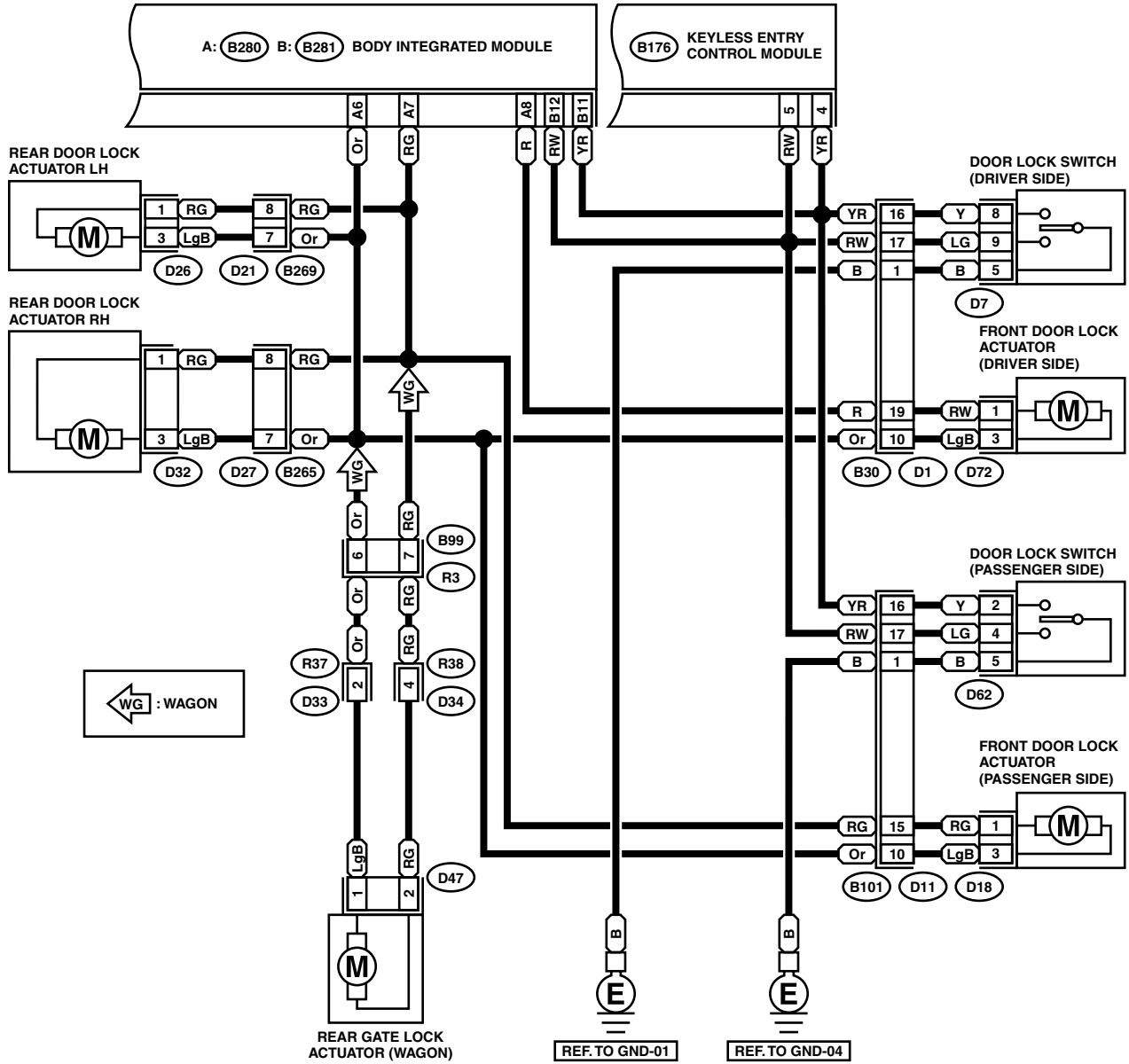
WI-10509

Keyless Entry System

WIRING SYSTEM

K/L-03

K/L-03



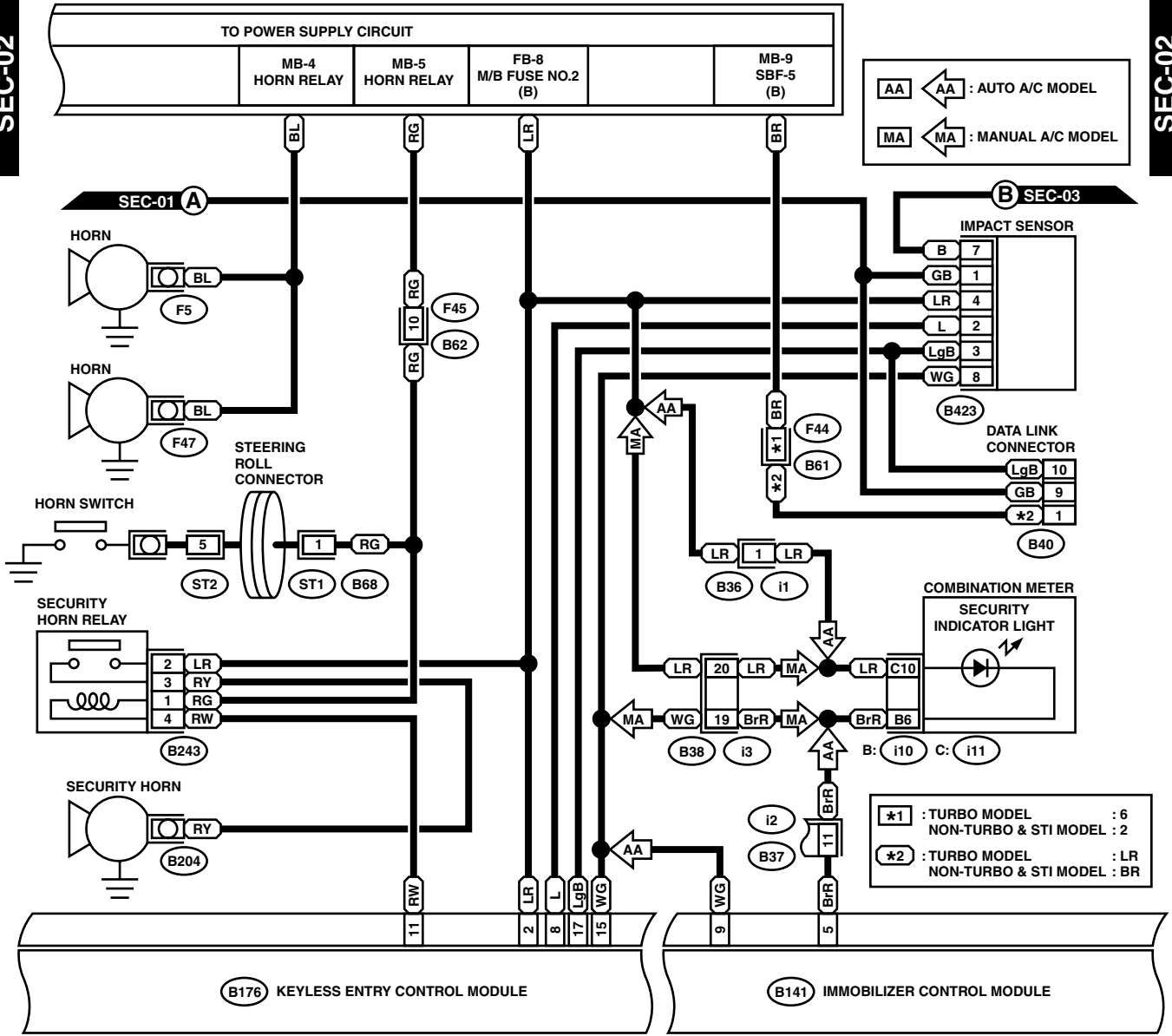
WI-09013

Security System

WIRING SYSTEM

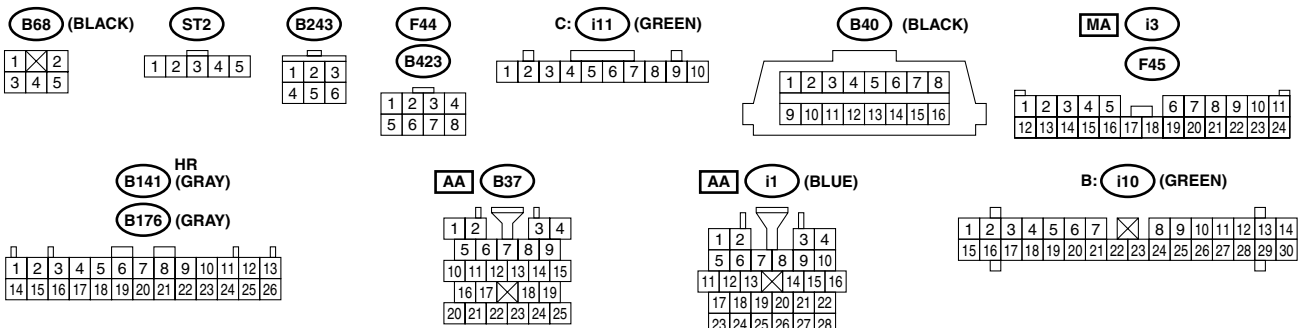
SEC-02

SEC-02



AA ← AA : AUTO A/C MODEL
 MA ← MA : MANUAL A/C MODEL

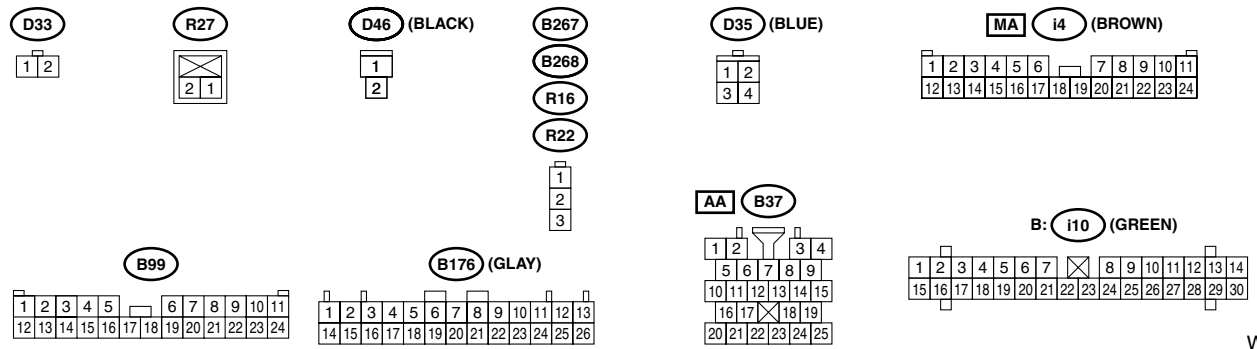
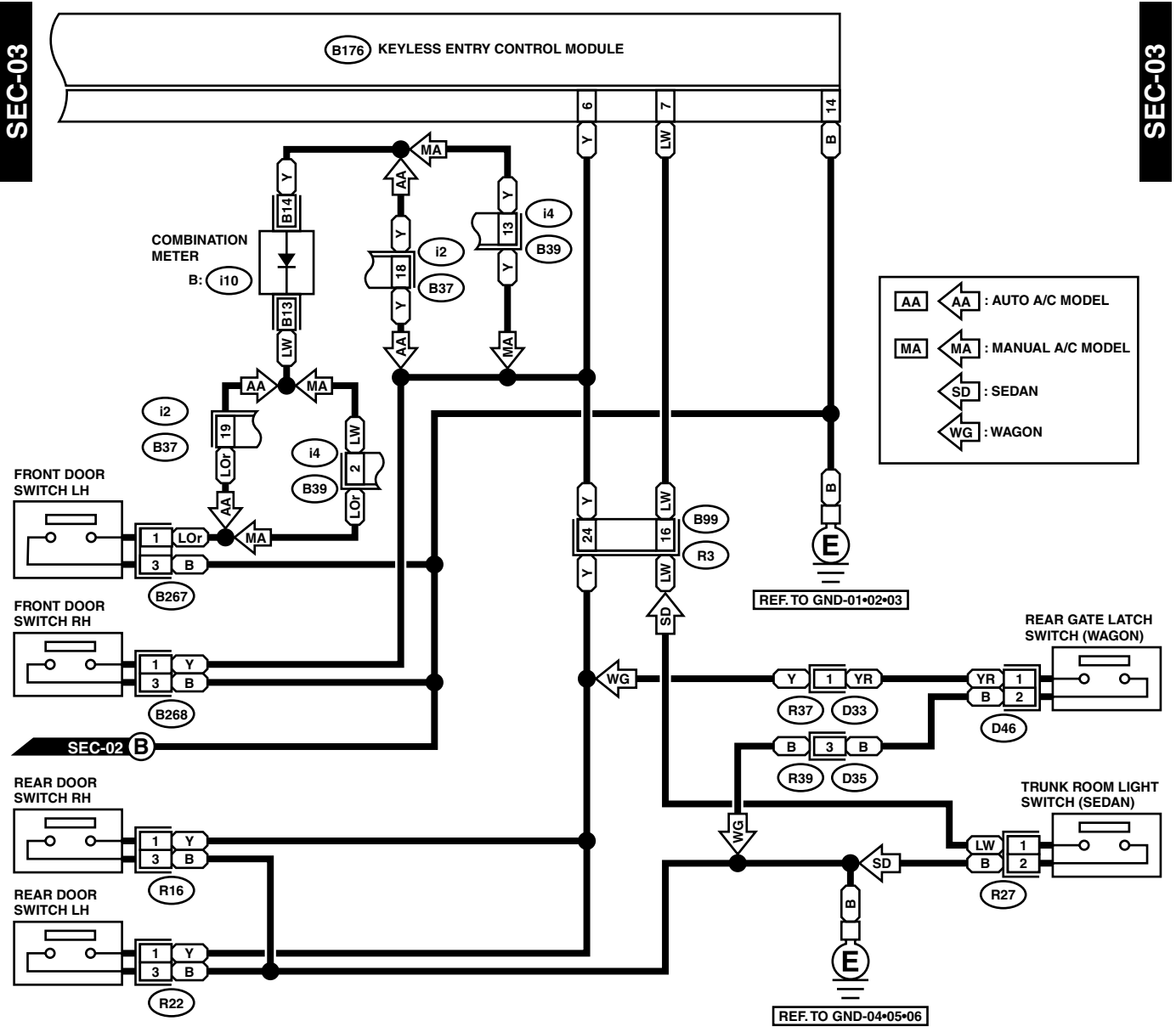
*1 : TURBO MODEL : 6
 NON-TURBO & STI MODEL : 2
 *2 : TURBO MODEL : LR
 NON-TURBO & STI MODEL : BR



WI-09015

Security System

WIRING SYSTEM



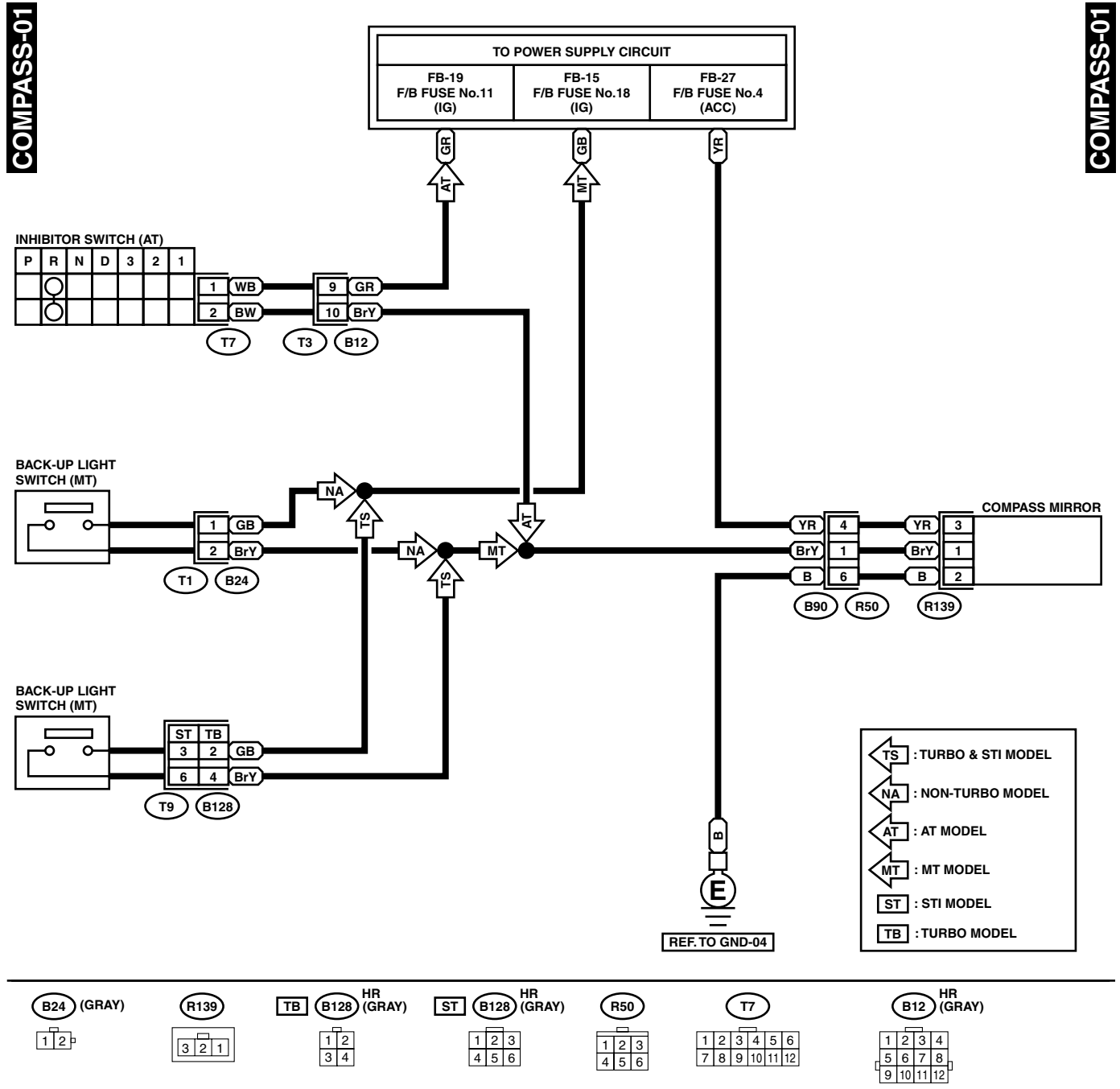
WI-09016

Compass Mirror System

WIRING SYSTEM

47. Compass Mirror System

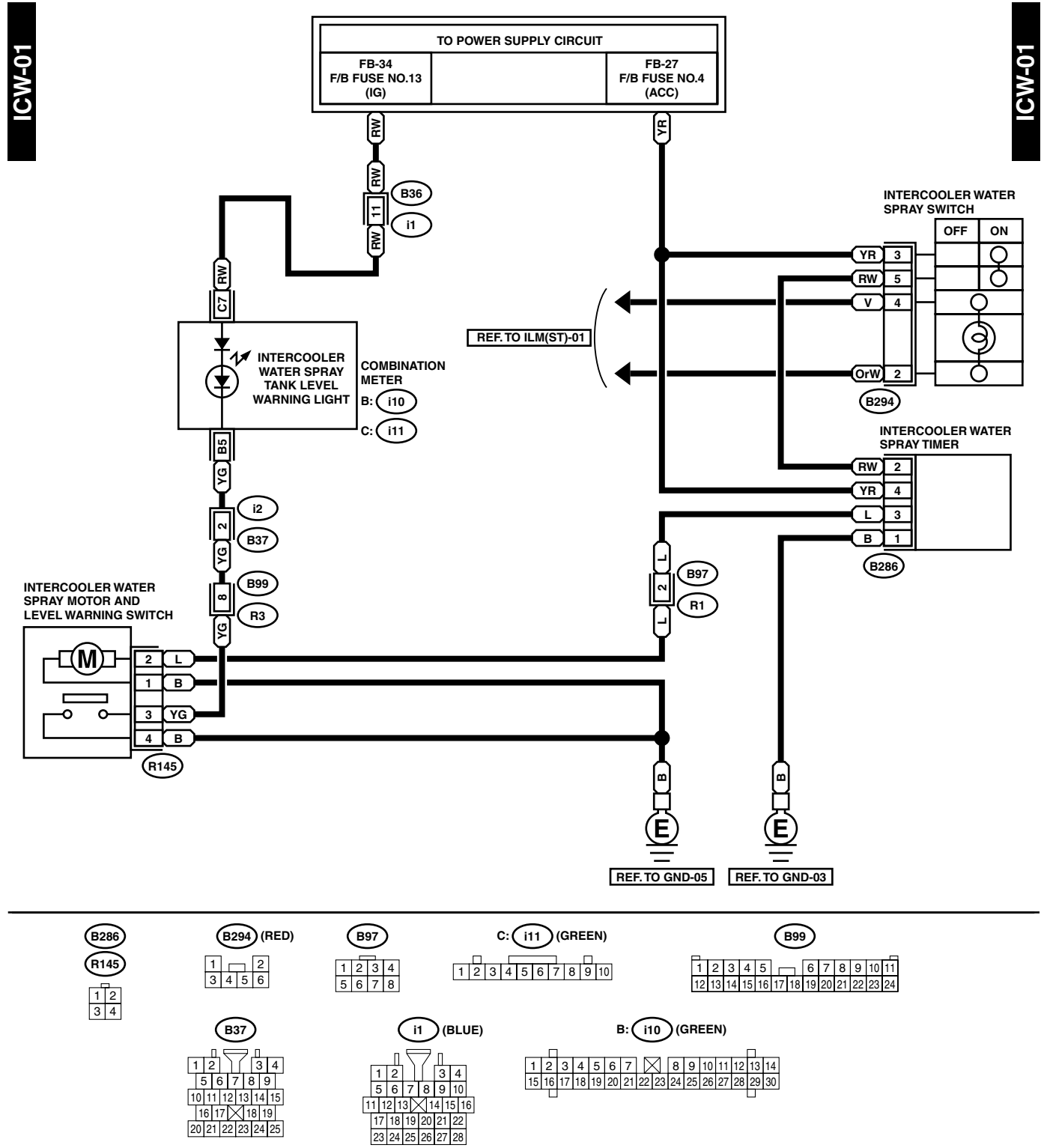
A: WIRING DIAGRAM



WI-09017

48. Intercooler Water Spray System

A: WIRING DIAGRAM

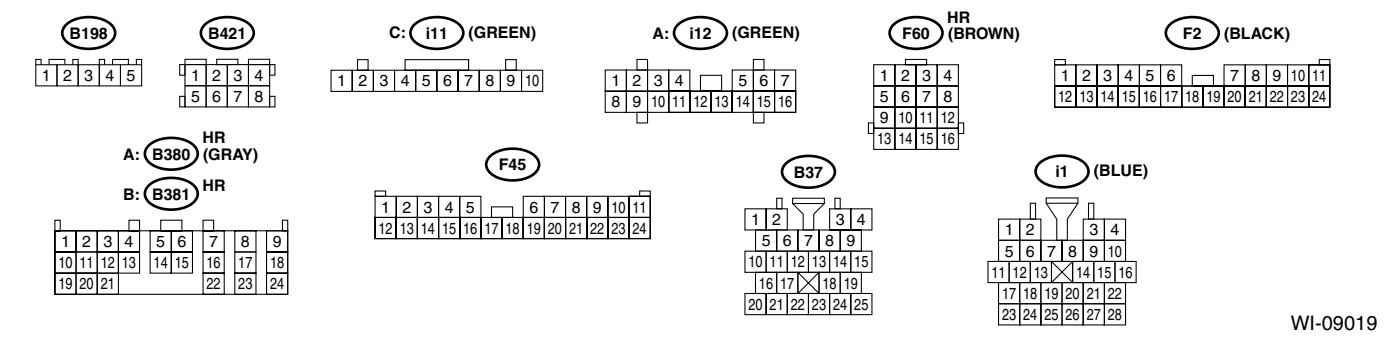
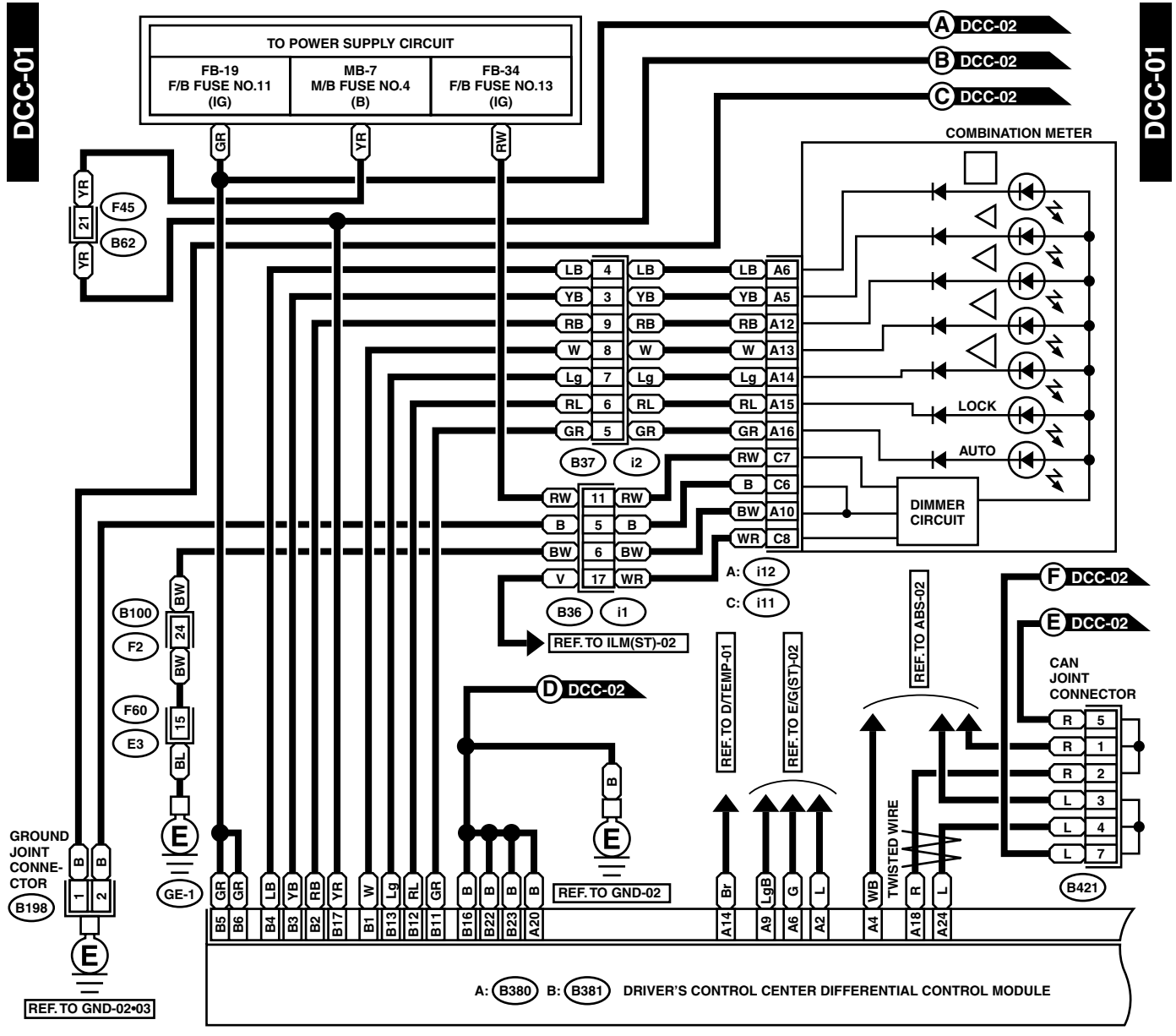


Driver's Control Center Differential Control System

WIRING SYSTEM

49. Driver's Control Center Differential Control System

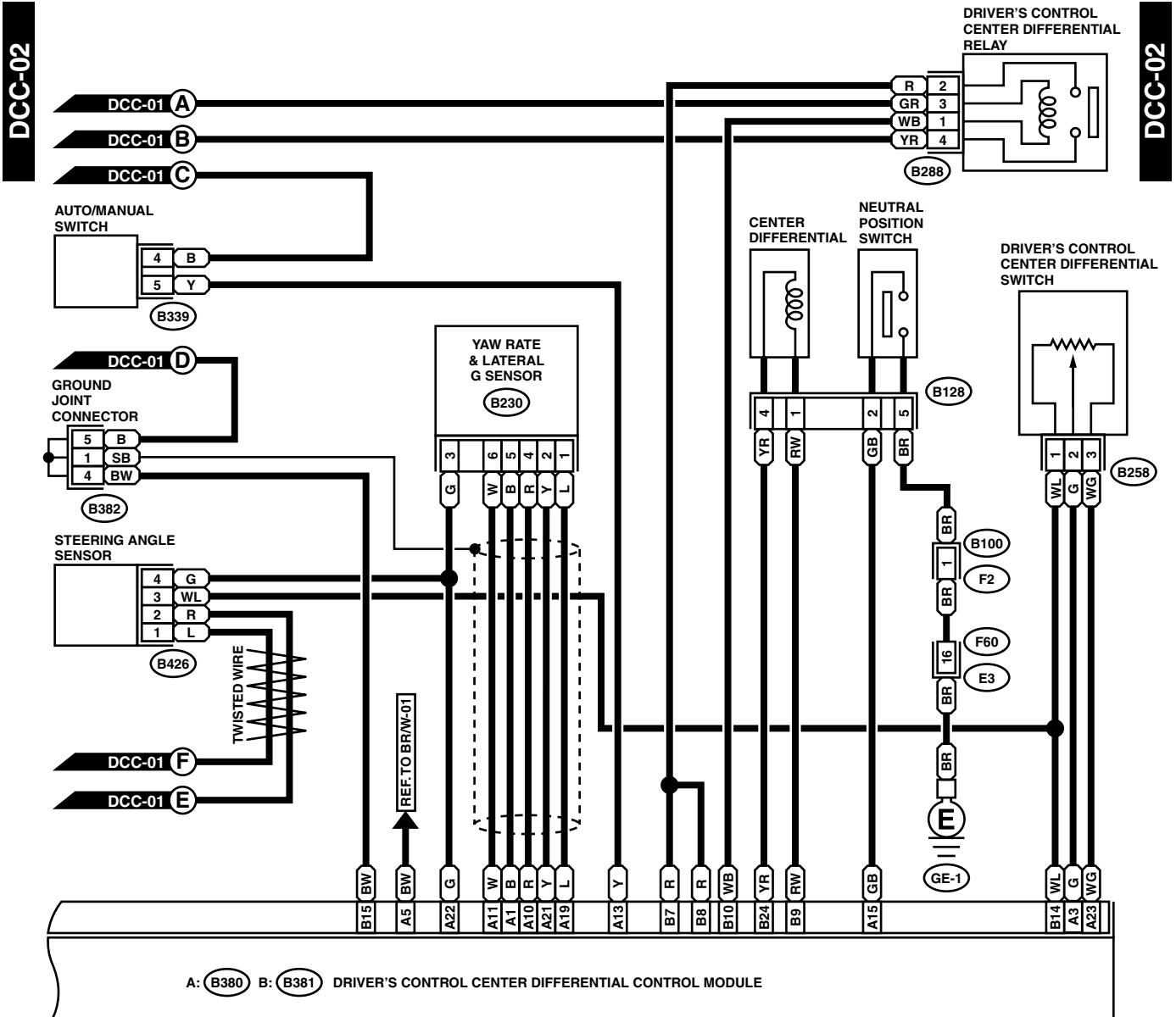
A: WIRING DIAGRAM



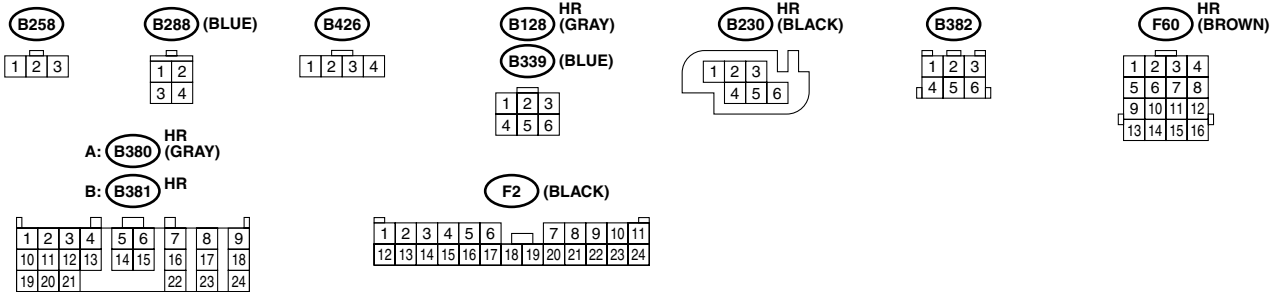
WI-09019

Driver's Control Center Differential Control System

WIRING SYSTEM



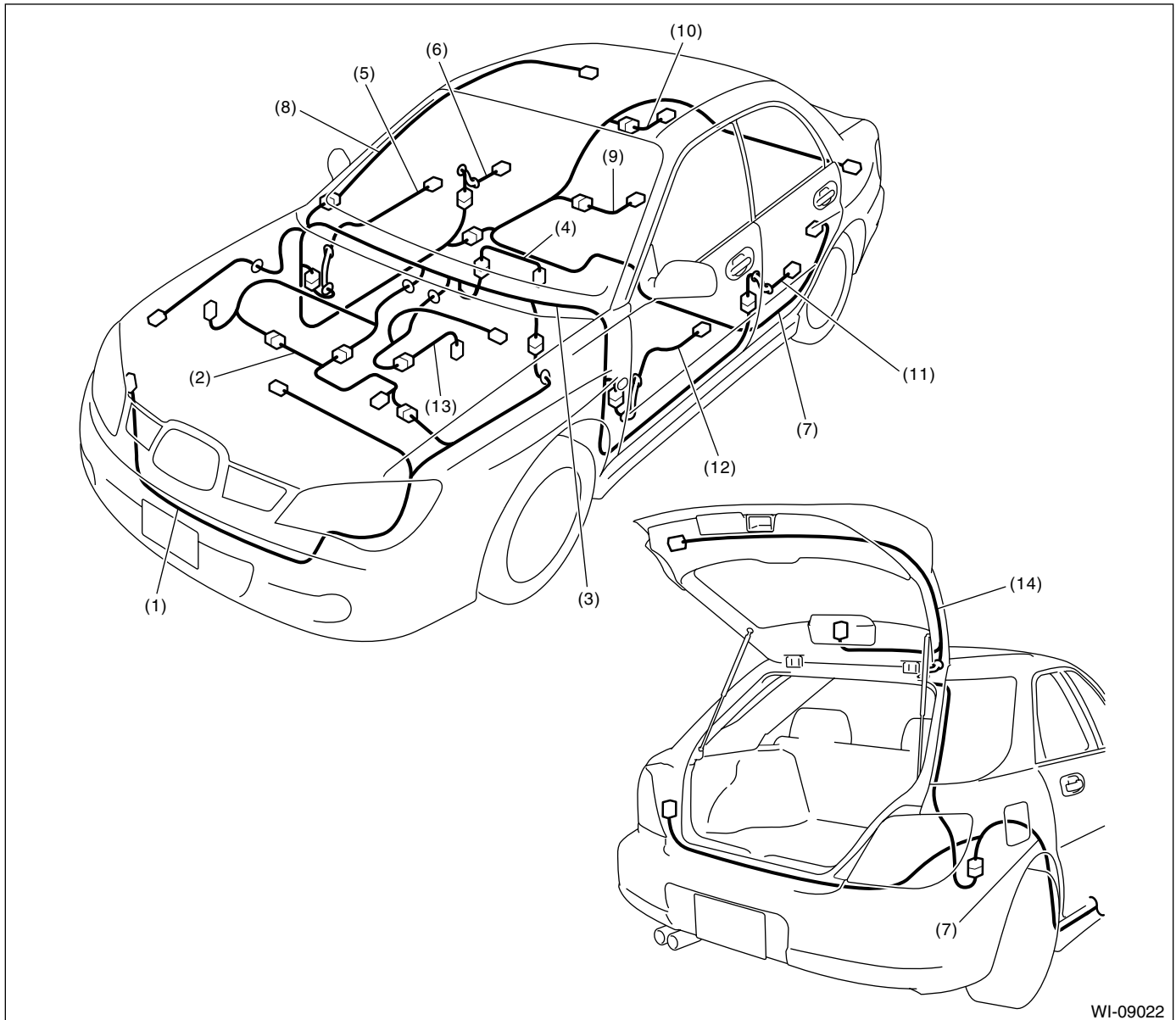
DCC-02



WI-09020

51. Harness Components Location

A: LOCATION



WI-09022

- | | | |
|-------------------------------------|-------------------------|-------------------------|
| (1) Front wiring harness | (6) Rear door cord RH | (11) Rear door cord LH |
| (2) Engine wiring harness | (7) Rear wiring harness | (12) Front door cord LH |
| (3) Bulkhead wiring harness | (8) Roof cord | (13) Transmission cord |
| (4) Instrument panel wiring harness | (9) Fuel tank cord | (14) Rear gate cord |
| (5) Front door cord RH | (10) Trunk lid cord | |

Front Wiring Harness

WIRING SYSTEM

52. Front Wiring Harness

A: LOCATION

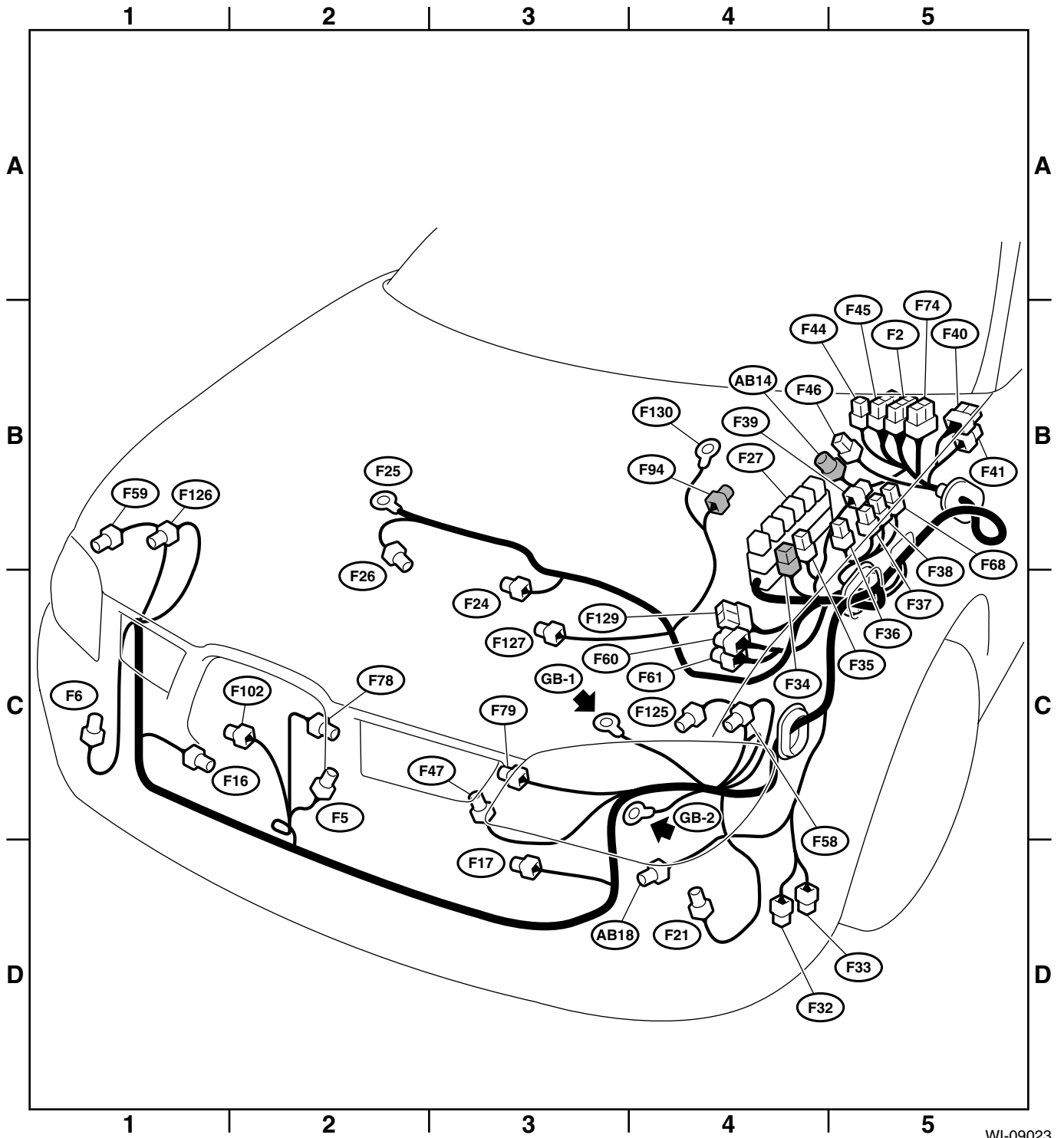
Connector				Connecting to	
No.	Pole	Color	Area	No.	Name
F2	24	Black	B-5	B100	Bulkhead wiring harness
F5	1	★	C-2		Horn
F6	2	Black	C-1		Front fog light RH
F16	4	Gray	C-1		Sub fan motor
F17	4	Gray	D-3		Radiator main fan motor
F21	2	Black	D-4		Front fog light LH
F24	1	Gray	C-3		A/C compressor
F25	1	★	B-2		Generator
F26	3	Green	B-2		
F27	36	Black	B-4		A/C relay holder
F32	2	Black	C-4		Front washer motor
F33	2	Black	C-4		Rear washer motor
F34	4	Black	B-4		SBF holder
F35	2	Black	B-4		Main fuse box (M/B)
F36	3	★	B-5		
F37	6	★	B-5		
F38	1	★	B-5		
F39	8	★	B-5		
F40	9	Brown	B-5		Fuse & relay box (F/B)
F41	7	Gray	B-5		
F44	8	★	B-5	B61	Bulkhead wiring harness
F45	24	★	B-5	B62	Bulkhead wiring harness
F46	2	Black	B-5	B108	Bulkhead wiring harness
F47	1	★	C-3		Horn
F58	3	Gray	C-4		Headlight leveler LH
F59	3	Gray	B-1		Headlight leveler RH
F60	16	Brown	C-4	E3	Engine wiring harness (Turbo model)
F61	20	Black	C-4	E2	Engine wiring harness (Turbo model)
F68	4	★	B-5		Main fuse box (M/B)
F74	16	Blue	B-5	B200	Bulkhead wiring harness (Non-turbo model)
	20	Blue	B-5	B200	Bulkhead wiring harness (Turbo and STI model)
F78	2	Black	C-2		Ambient sensor
F79	2	Gray	C-3		A/C pressure switch
F94	2	Gray	B-4		ABS front sensor LH
F102	2	Black	C-2		Keyless buzzer
F125	8	Black	C-4		Head light LH
F126	8	Black	B-1		Head light RH
F127	2	Black	C-3		Secondary air pump
F129	13	Black	C-4		Secondary A/C relay holder
F130	1	★	B-4		Air pump ground

★: Non-colored

Front Wiring Harness

WIRING SYSTEM

Connector				Connecting to	
No.	Pole	Color	Area	No.	Name
AB14	2	Yellow	B-4	AB13	Airbag wiring harness
AB18	2	Yellow	D-4		Front sub sensor LH



WI-09023

Bulkhead Wiring Harness (In Engine Room)

WIRING SYSTEM

53. Bulkhead Wiring Harness (In Engine Room)

A: LOCATION

1. EXCEPT FOR NON-TURBO MODEL

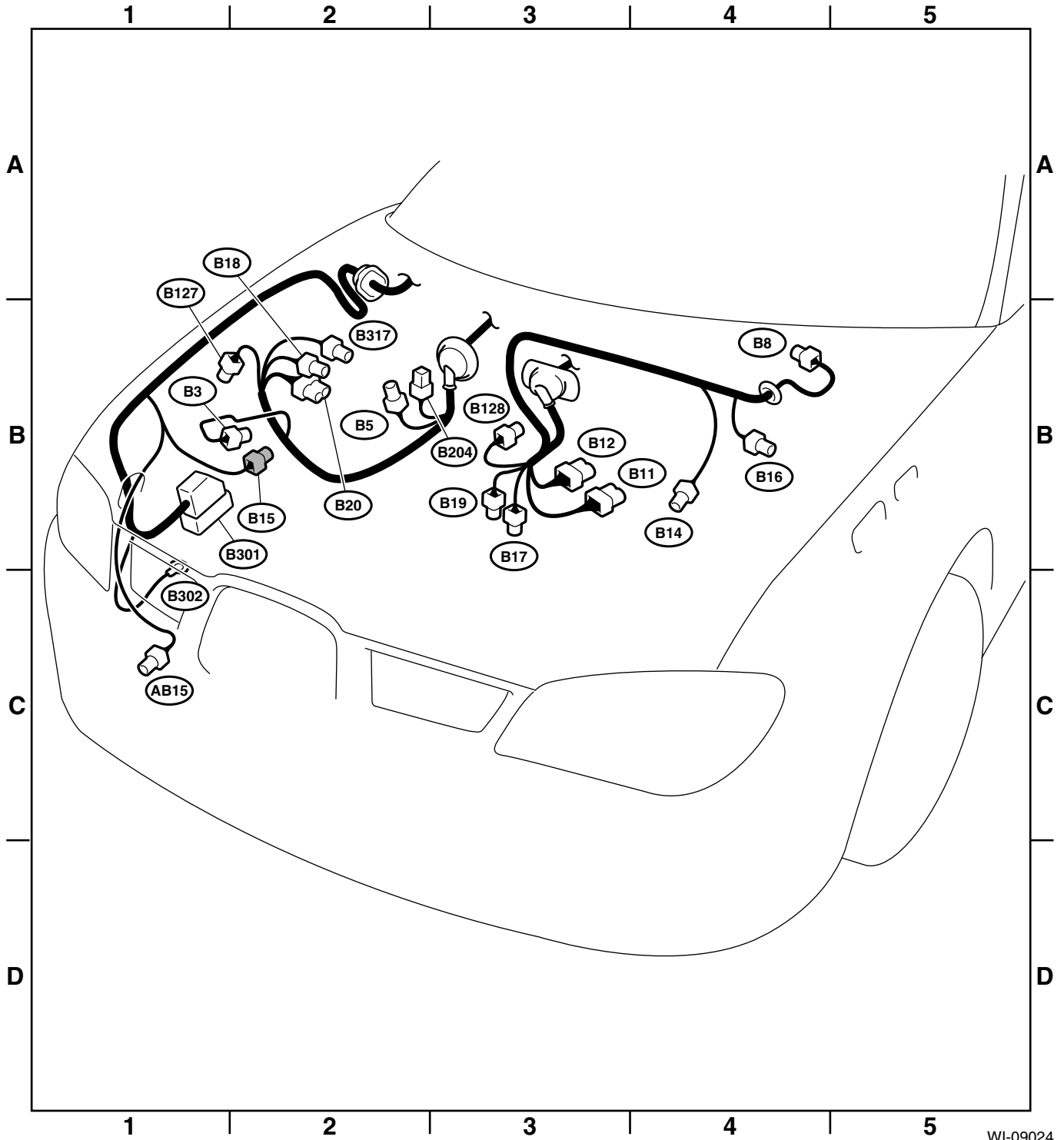
Connector				Connecting to	
No.	Pole	Color	Area	No.	Name
B3	5	Black	B-2		Mass air flow meter
B5	2	Gray	B-2		Resistor (Daytime running light) (Turbo model)
B8	5	Black	B-4		Front wiper motor
B11	20	Gray	B-3	T4	Transmission code (AT model)
B12	12	Gray	B-3	T3	
B14	1	Black	B-4		Starter (Magnet)
B15	2	Gray	B-2		ABS front sensor RH
B16	2	Gray	B-4		Brake fluid level switch
B17	4	Gray	B-3		Vehicle speed sensor (MT) (Turbo model)
	3	Black	B-3		Vehicle speed sensor (MT) (STI model)
B18	4	Gray	B-2		Front oxygen (A/F) sensor
B19	4	Gray	B-3	T5	Rear oxygen sensor cord
B20	10	★	B-2	E1	Engine wiring harness
B127	2	★	B-1		Wastegate solenoid
B128	4	Gray	B-3	T9	Transmission code (MT) (Turbo model)
	6	Gray	B-3	T9	Transmission code (MT) (STI model)
B204	1	★	B-2		Security horn
B301	26	Black	B-1		ABS control module
B302	1	★	B-1		ABS motor ground
B317	4	Gray	B-2	E56	Engine wiring harness (STI model)
	8	Gray	B-2	E56	Engine wiring harness (Turbo model)

★: Non-colored

Connector				Connecting to	
No.	Pole	Color	Area	No.	Name
AB15	2	Yellow	C-1		Front sub sensor RH

Bulkhead Wiring Harness (In Engine Room)

WIRING SYSTEM



WI-09024

Bulkhead Wiring Harness (In Engine Room)

WIRING SYSTEM

2. NON-TURBO ENGINE MODEL

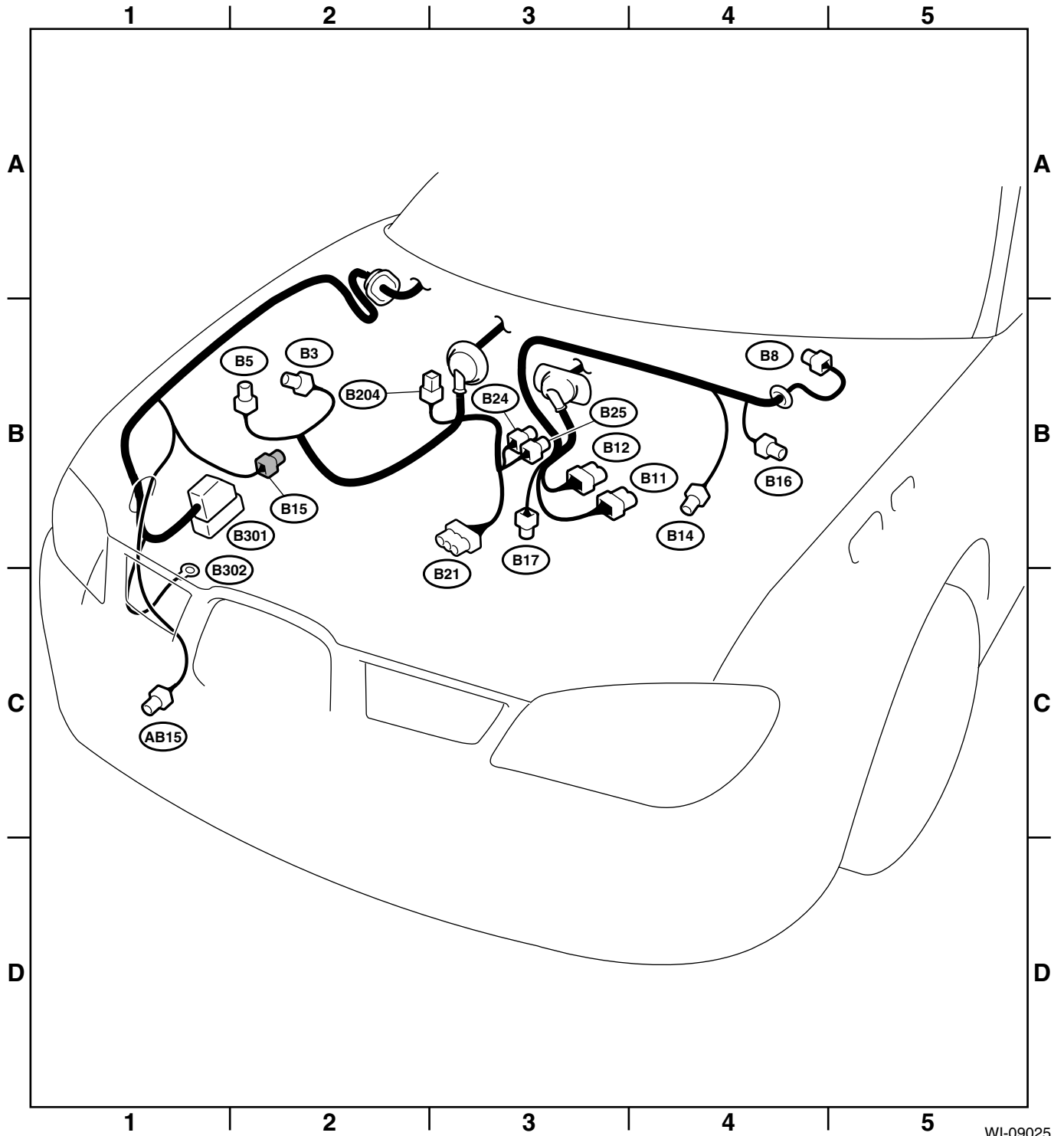
Connector				Connecting to	
No.	Pole	Color	Area	No.	Name
B3	5	Black	B-2		Mass air flow meter
B5	2	Gray	B-2		Resistor (Daytime running light)
B8	5	Black	B-4		Front wiper motor
B11	20	Gray	B-3	T4	Transmission code (AT model)
B12	12	Gray	B-3	T3	
B14	1	Black	B-4		Starter (Magnet)
B15	2	Gray	B-2		ABS front sensor RH
B16	2	Gray	B-4		Brake fluid level switch
B17	3	★	B-3		Vehicle speed sensor (MT model)
B21	54	Black	B-3	E100	Engine wiring harness
B24	2	Gray	B-3	T1	Back-up light switch (MT model)
B25	2	Brown	B-3	T2	Neutral position switch (MT model)
B204	1	★	B-2		Security horn
B301	26	Black	B-1		ABS control module
B302	1	★	B-1		ABS motor ground

★: Non-colored

Connector				Connecting to	
No.	Pole	Color	Area	No.	Name
AB15	2	Yellow	C-1		Front sub sensor RH

Bulkhead Wiring Harness (In Engine Room)

WIRING SYSTEM



WI-09025

Bulkhead Wiring Harness (In Compartment)

WIRING SYSTEM

54. Bulkhead Wiring Harness (In Compartment)

A: LOCATION

Connector				Connecting to	
No.	Pole	Color	Area	No.	Name
B30	25	★	C-1	D1	Front door cord LH
B31	6	Yellow	D-1	AB1	SRS (Airbag) harness
B32	3	Black	B-2		Turn signal and hazard module
B36	28	Blue	B-3	i1	Instrument panel wiring harness (Auto A/C model)
B37	25	★	B-3	i2	
B38	24	★	B-3	i3	
B39	24	Brown	B-3	i4	Instrument panel wiring harness (Manual A/C model)
B40	16	Black	C-3		Data link connector
B41	2	★	C-1		Power window circuit breaker
B46	4	Green	B-5		Fuel pump relay
B47	6	Brown	B-5		Main relay
B50	4	★	C-1		Blower fan relay
B51	8	Blue	C-1		Fuse & relay box (F/B)
B52	7	★	C-1		
B54	35	★	B-2		TCM (AT model)
B55	35	Gray	B-2		TCM (AT model)
B61	8	★	B-2	F44	Front wiring harness
B62	24	★	B-2	F45	
B65	4	Black	B-2		Stop light and brake light switch
B68	5	Black	C-3		Cruise control sub switch and horn switch (Roll connector)
B69	4	★	C-3		Parking switch
B70	18	★	C-3		Combination switch
B71	17	★	C-3		
B72	4	Blue	B-3		Ignition switch
B75	2	Green	C-2	B76	Test mode connector
B76	2	Green	C-2	B75	
B77	3	★	B-4		Mode actuator (Turbo and STI model)
B83	8	★	C-5		Shield and sensor ground joint connector
B86	4	Brown	B-4		Blower motor resistor
B87	2	★	B-4		Blower motor
B88	4	Brown	B-3		Evaporation thermostat
B90	6	★	B-5	R50	Roof cord
B91	6	Black	B-4		FRESH/RECIRC actuator (Turbo and STI model)

Connector				Connecting to	
No.	Pole	Color	Area	No.	Name
B95	2	Black	B-4		Diode (Daytime running light) (Non-turbo and turbo model)
	3	★	B-4		Diode (Daytime running light) (STI model)
B96	10	★	B-5		Daytime running light control module
B100	24	Black	B-1	F2	Front wiring harness
B101	25	★	B-5	D11	Front door cord RH
B102	5	Black	B-5		Daytime running light relay
B103	4	★	B-5		High-beam relay (Daytime running light)
B106	2	★	B-2		Clutch switch (MT model)
B107	2	Blue	B-2		Cruise clutch switch (MT model)
B108	2	Black	B-1	F46	Front wiring harness
B112	4	Brown	B-3		Diode (Front fog light)
B117	6	★	C-4		AT select lever
B118	2	★	B-4		CD player illumination light
B119	4	★	C-4		Front accessory power supply socket
B120	14	★	B-4		Radio
B121	1	Black	B-4		Audio bracket ground
B122	6	★	C-5		Joint connector (STI model)
	8	★	C-5		Joint connector (Non-turbo and Turbo model)
B125	1	Green	B-5	B126	Line end connector
B126	1	Green	B-5	B125	
B132	8	Gray	C-1		Headlight leveler switch (STI model)
B134	34	★	B-4		ECM
B135	35	★	B-4		ECM
B136	35	★	B-4		ECM
B137	31	★	C-4		ECM
B141	26	Gray	B-2		Immobilizer control module (Turbo and STI model)
B142	2	★	B-3		Antenna (Immobilizer) (Turbo and STI model)
B152	12	★	C-1		Fuse & relay box (F/B)
B158	10	Gray	C-1		
B160	6	Gray	C-1		Front fog light switch
B168	10	★	C-4		Mode control panel
B169	6	★	C-4		Blower fan switch (Non-turbo model)
B176	26	Gray	C-1		Keyless entry control module

Bulkhead Wiring Harness (In Compartment)

WIRING SYSTEM

Connector				Connecting to	
No.	Pole	Color	Area	No.	Name
B177	2	★	B-1		Wiper deicer (Turbo model)
B191	4	★	B-5		Wiper deicer relay (Turbo model)
B192	4	★	B-5		Wiper deicer timer (Turbo model)
B193	6	★	C-1		Wiper deicer switch (Turbo model)
B198	5	★	C-5		Ground joint connector
B200	20	Blue	B-2	F74	Front wiring harness (Turbo and STI model)
B208	2	Black	B-5		Glove box light
B225	8	Black	C-2		Fuse (Relay block)
	5	Black	C-2		Ignition relay (Relay block)
	5	Black	C-2		Power window relay (Relay block)
	5	Black	C-2		Front fog light relay (Relay block)
	5	Black	C-2		Starter interlock relay (Relay block)
	5	Black	C-2		Mirror heater relay (Relay block)
	5	Black	C-2		HID relay (Relay block) (STI model)
B230	6	★	D-5		Yaw rate sensor
B243	6	★	B-3		Security horn relay
B256	2	★	B-4		Evaporator sensor (Turbo and STI model)
B258	3	★	D-4		Driver's control center differential switch (STI model)
B264	4	Red	C-1		Short connector
B271	12	Blue	C-1		Fuse & relay box (F/B)
B275	4	★	B-4		Fan control amplifier
B280	16	Blue	C-3		Body Integrated module
B281	20	Gray	C-3		
B282	16	Gray	C-4		Auto A/C control module (Turbo and STI model)
B283	20	Gray	C-4		
B286	4	★	B-5		Intercooler water spray timer (STI model)
B288	4	Blue	C-1		Driver's control center differential relay (STI model)
B292	3	★	D-5		ABS G sensor
B293	3	★	B-4		Air mix actuator
B294	6	★	C-1		Intercooler water spray switch (STI model)
B304	2	★	B-5		ABS condenser

Connector				Connecting to	
No.	Pole	Color	Area	No.	Name
B307	2	Black	B-2		Shift lock diode (AT model)
B309	4	Black	B-5		Electronic control throttle relay
B315	6	Black	B-3		Accelerator position sensor
B335	2	Black	D-1	B336	Joint connector (Key Lock) (Turbo model)
B336	2	Black	D-1	B335	
B339	6	Blue	C-4		Auto/manual switch
B370	6	★	B-3		Ignition starter and steering lock assembly
B371	5	★	C-2		Relay holder
B380	24	Gray	B-3		Driver's control center differential control module (STI model)
B381	24	★	B-3		Driver's control center differential control module (STI model)
B382	6	★	B-3		Ground joint connector (STI model)
B383	4	Blue	C-1		Seat heater switch LH (STI model)
B420	6	★	C-2		HID diode
B421	8	★	C-2		CAN joint connector
B422	5	Black	C-4		Starter cut relay (STI model)
		Gray	C-4		Starter cut relay (Except for STI model)
B423	5	★	B-4		Impact sensor
B425	5	Gray	B-5		A/F & Oxygen sensor relay
B426	4	★	C-3		Steering angle sensor
B427	2	Yellow	D-5	AB60	SRS airbag harness

★: Non-colored

55.Engine Wiring Harness and Transmission Cord

A: LOCATION

1. TURBO MODEL

Connector				Connecting to	
No.	Pole	Color	Area	No.	Name
E1	10	Light gray	A-2	B20	Bulkhead wiring harness
E2	20	Black	B-4	F61	Front wiring harness
E3	16	Brown	B-4	F60	
E4	2	Black	B-3		Purge control solenoid valve
E5	2	Dark gray	A-2		Fuel injector No. 1
E6	2	Dark gray	A-2		Fuel injector No. 3
E7	3	Black	A-3		Idle air control solenoid valve
E8	3	Light gray	B-3		Engine coolant temperature sensor and thermometer
E10	2	Light gray	B-2		Crankshaft position sensor
E11	1	★	B-2		Oil pressure switch
E13	3	Black	A-3		Throttle position sensor
E14	2	Light gray	A-4		Knock sensor
E15	2	Light gray	B-4		Camshaft position sensor
E16	2	Dark gray	B-4		Fuel injector No. 2
E17	2	Dark gray	B-4		Fuel injector No. 4
E19	1	Light gray	B-3		Power steering oil pressure switch
E21	3	Black	A-3		Absolute manifold pressure sensor
E31	3	★	B-2		Ignition coil No. 1
E32	3	★	B-4		Ignition coil No. 2
E33	3	Black	A-3		Ignition coil No. 3
E34	3	Black	B-4		Ignition coil No. 4
E35	3	Light gray	A-4		AVCS camshaft position sensor LH
E36	3	Light gray	A-3		AVCS camshaft position sensor RH
E37	2	Blue	B-4		AVCS solenoid valve LH
E38	2	Blue	A-2		AVCS solenoid valve RH
E50	3	Black	B-3		Tumble generator valve position sensor LH
E51	2	Black	A-4		Tumble generator valve LH
E54	3	Black	A-3		Tumble generator valve position sensor RH
E55	2	Black	A-2		Tumble generator valve RH
E56	8	Dark gray	A-2	B317	Bulkhead wiring harness
E57	6	Black	A-3		Electronic throttle control
E61	2	Dark gray	A-3		PCV diagnosis connector
E115	2	Black	B-4		Secondary air combi cut valve RH
E116	6	Black	B-4		Secondary air combi cut valve LH

★: Non-colored

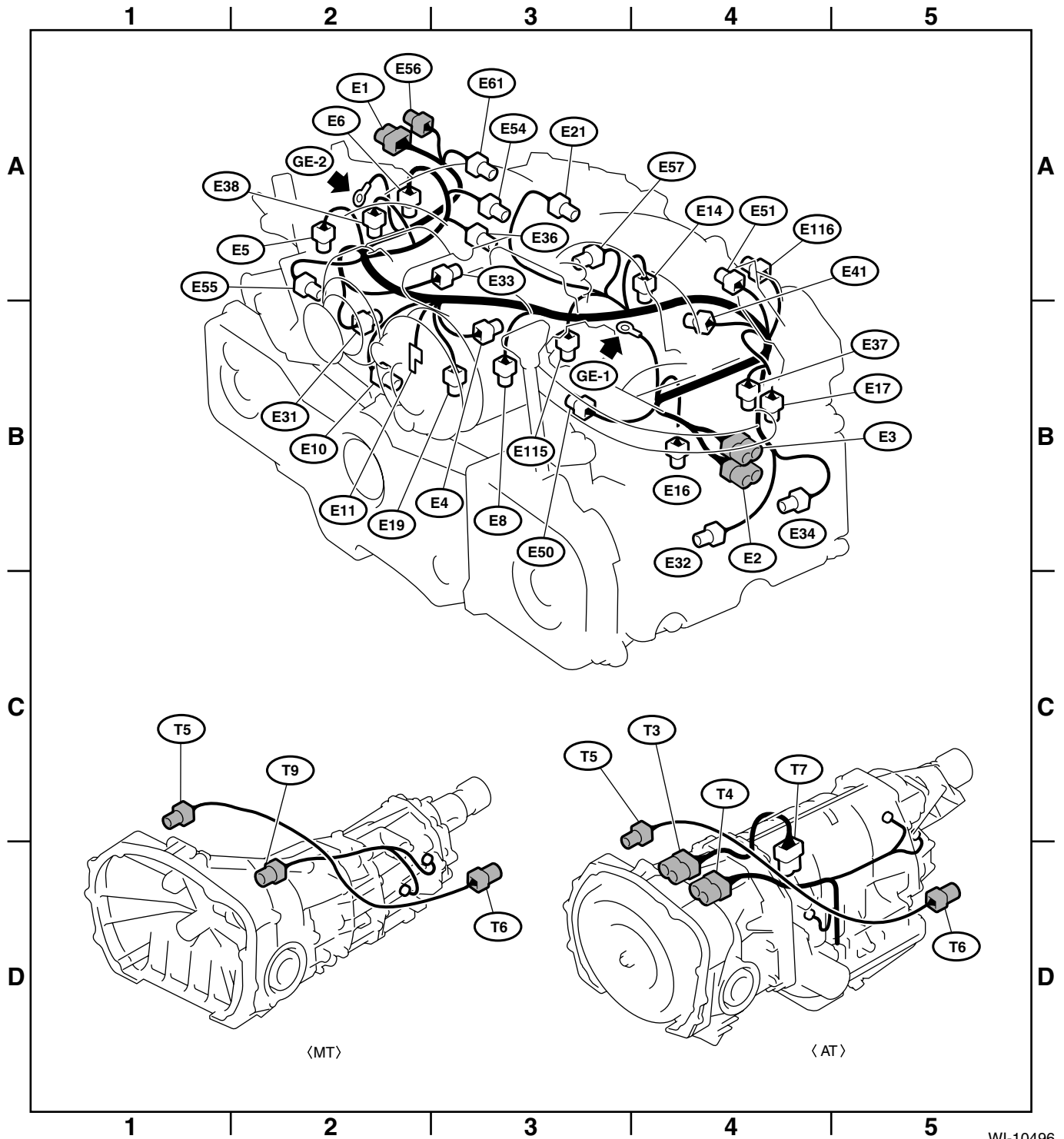
Connector				Connecting to	
No.	Pole	Color	Area	No.	Name
T3	12	Black	D-4	B12	Bulkhead wiring harness (AT model)
T4	20	Gray	D-4	B11	
T5	4	Gray	C-1	B19	Bulkhead wiring harness (MT model)
			C-4		Bulkhead wiring harness (AT model)
T6	4	Gray	D-3		Rear oxygen sensor (MT model)
			D-5		Rear oxygen sensor (AT model)
T7	12	Black	D-4		Inhibitor switch (AT model)

Engine Wiring Harness and Transmission Cord

WIRING SYSTEM

Connector				Connecting to	
No.	Pole	Color	Area	No.	Name
T9	4	Gray	D-2	B128	Bulkhead wiring harness (MT model)

★: Non-colored



WI-10496

Engine Wiring Harness and Transmission Cord

WIRING SYSTEM

2. NON-TURBO MODEL

Connector				Connecting to	
No.	Pole	Color	Area	No.	Name
E4	2	Black	A-3		Purge control solenoid valve
E5	2	Dark gray	A-2		Fuel injector No. 1
E6	2	Dark gray	A-2		Fuel injector No. 3
E8	3	Light gray	B-3		Engine coolant temperature sensor and thermometer
E10	2	Light gray	B-3		Crankshaft position sensor
E11	1	★	B-2		Oil pressure switch
E12	4	Dark gray	A-2		Ignition coil and ignitor
E14	2	Gray	A-3		Knock sensor
E15	2	Gray	B-4		Camshaft position sensor
E16	2	Dark gray	B-4		Fuel injector No. 2
E17	2	Dark gray	B-4		Fuel injector No. 4
E18	6	Dark gray	A-3		EGR valve
E19	1	★	B-2		Power steering oil pressure switch
E21	3	Black	A-3		Pressure sensor
E35	1	★	B-3		Variable valve lift diagnosis oil pressure switch LH
E36	1	★	A-3		Variable valve lift diagnosis oil pressure switch BH
E37	2	Blue	B-3		Variable valve lift solenoid LH
E38	2	Blue	A-3		Variable valve lift solenoid RH
E57	6	Black	A-3		Electronic throttle control
E100	54	Black	A-4	B21	Bulkhead wiring harness
E117	2	Dark gray	A-3		PCV diagnosis switch
E118	6	Black	A-3		Front oxygen (A/F) sensor
E119	4	Dark gray	A-3		Rear oxygen sensor
E120	2	Black	A-3		Oil temperature sensor

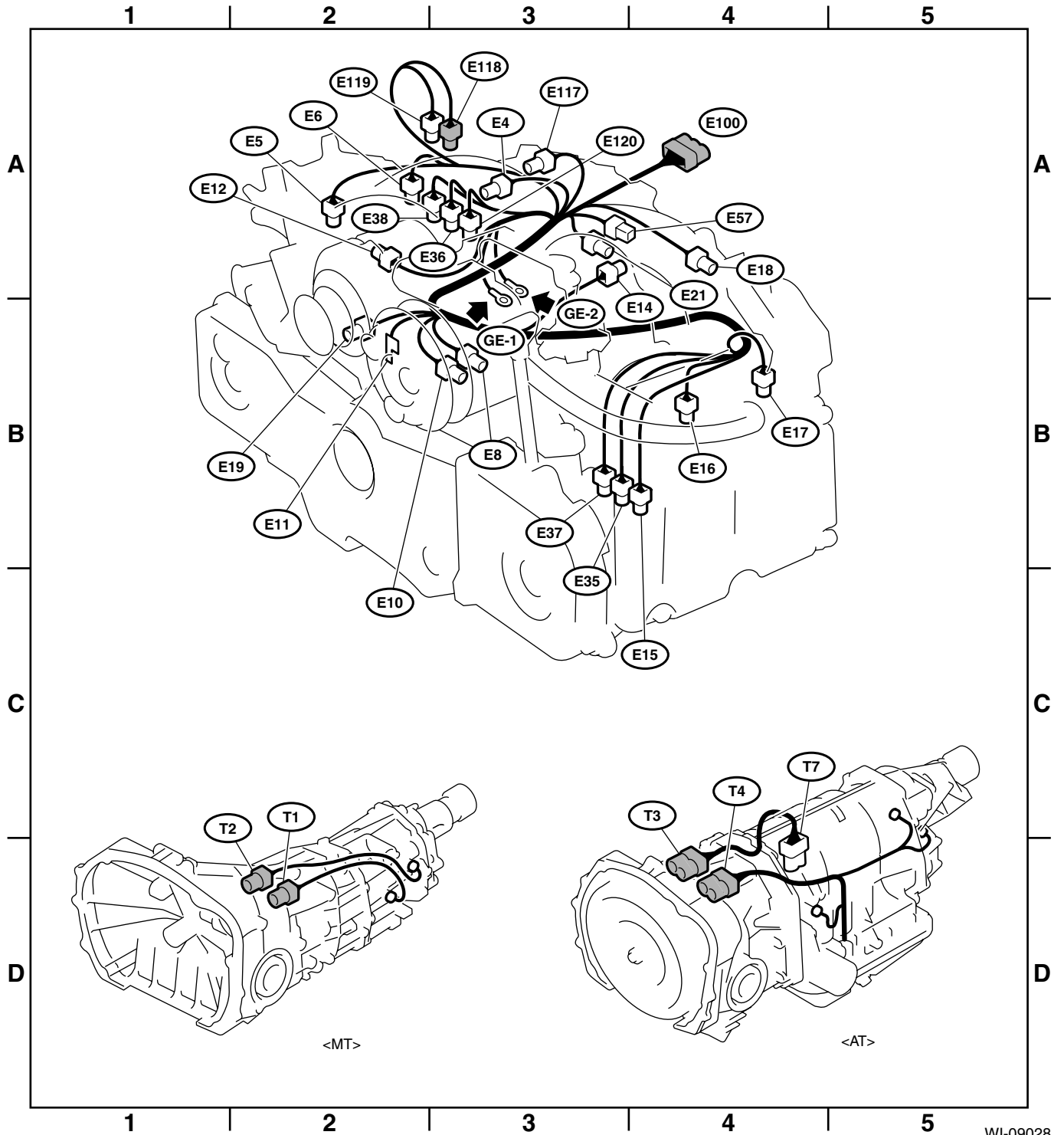
★: Non-colored

Connector				Connecting to	
No.	Pole	Color	Area	No.	Name
T1	2	Gray	D-2	B24	Bulkhead wiring harness (MT model)
T2	2	Brown	D-2	B25	
T3	12	Black	D-4	B12	Bulkhead wiring harness (AT model)
T4	20	Gray	D-4	B11	
T7	12	Black	D-4		Inhibitor switch (AT model)

★: Non-colored

Engine Wiring Harness and Transmission Cord

WIRING SYSTEM



WI-09028

Engine Wiring Harness and Transmission Cord

WIRING SYSTEM

3. STI MODEL

Connector				Connecting to	
No.	Pole	Color	Area	No.	Name
E1	10	Light gray	A-2	B20	Bulkhead wiring harness
E2	20	Light gray	B-4	F61	Front wiring harness
E3	16	Brown	B-4	F60	
E4	2	Black	B-3		Purge control solenoid valve
E5	2	Light gray	A-2		Fuel injector No. 1
E6	2	Light gray	A-2		Fuel injector No. 3
E8	3	Light gray	B-3		Engine coolant temperature sensor and thermometer
E10	2	Light gray	B-2		Crankshaft position sensor
E11	1	★	B-2		Oil pressure switch
E14	2	Brown	A-4		Knock sensor
E16	2	Light gray	B-4		Fuel injector No. 2
E17	2	Light gray	B-4		Fuel injector No. 4
E19	1	White	B-3		Power steering oil pressure switch
E21	3	Black	A-3		Pressure sensor
E31	3	White	B-2		Ignition coil No. 1
E32	3	White	B-4		Ignition coil No. 2
E33	3	Black	A-3		Ignition coil No. 3
E34	3	Black	B-4		Ignition coil No. 4
E35	3	Blue	A-4		AVCS camshaft position sensor LH
E36	3	Light gray	A-3		AVCS camshaft position sensor RH
E37	2	Blue	B-4		AVCS solenoid valve LH
E38	2	Blue	A-2		AVCS solenoid valve RH
E50	3	Black	B-3		Tumble generator valve angle sensor LH
E51	2	Black	A-4		Tumble generator valve LH
E54	3	Black	A-3		Tumble generator valve angle sensor RH
E55	2	Black	A-2		Tumble generator valve RH
E56	4	Dark gray	A-2	B317	Bulkhead wiring harness
E57	6	Black	A-3		Electronic throttle control
E61	2	Dark gray	A-3		PCV diagnosis connector

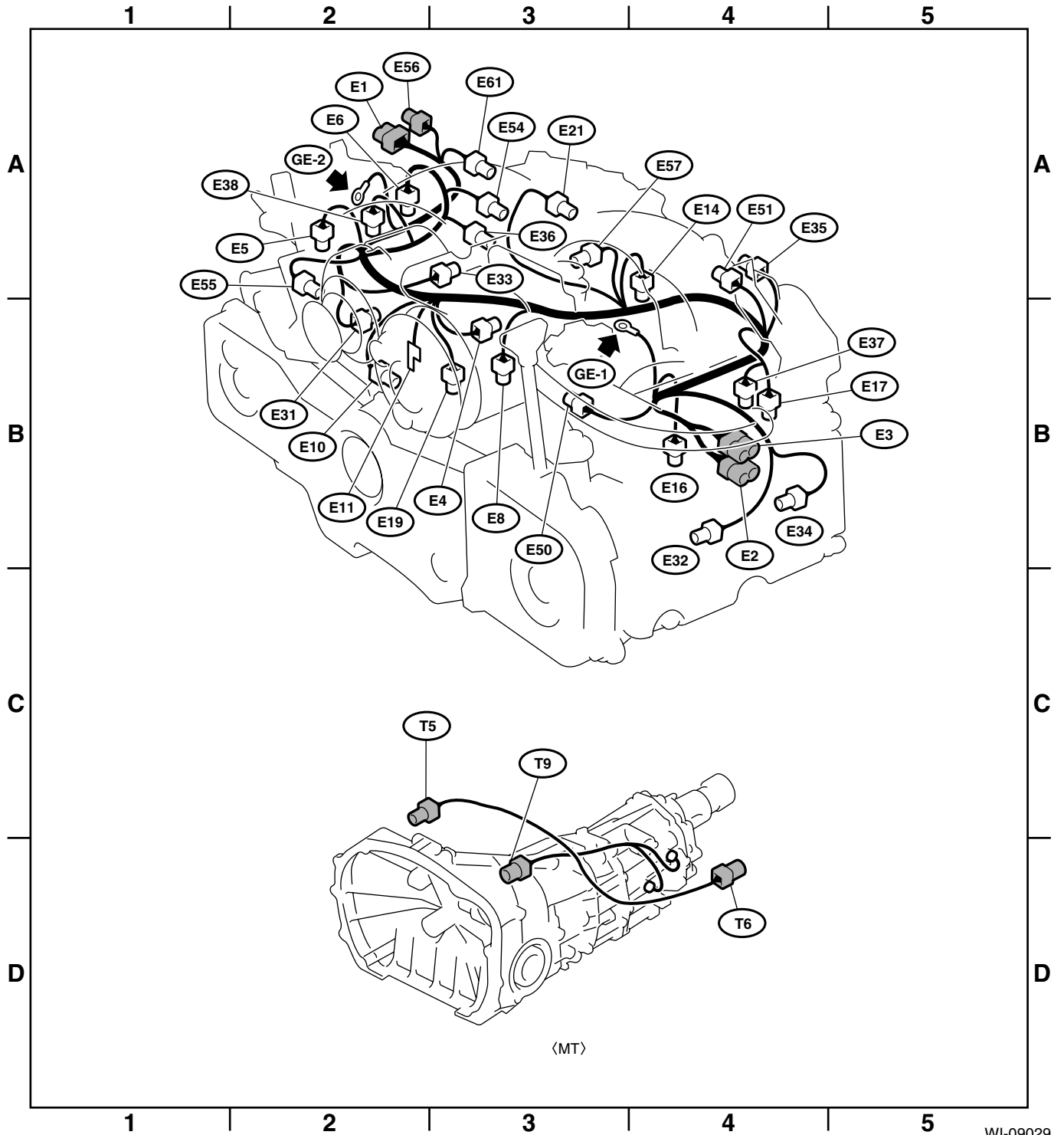
★: Non-colored

Connector				Connecting to	
No.	Pole	Color	Area	No.	Name
T5	4	Gray	D-2	B19	Bulkhead wiring harness
T6	4	Gray	D-4		Rear oxygen sensor
T9	6	Gray	D-3	B128	Bulkhead wiring harness

★: Non-colored

Engine Wiring Harness and Transmission Cord

WIRING SYSTEM



WI-09029

56. Instrument Panel Wiring Harness

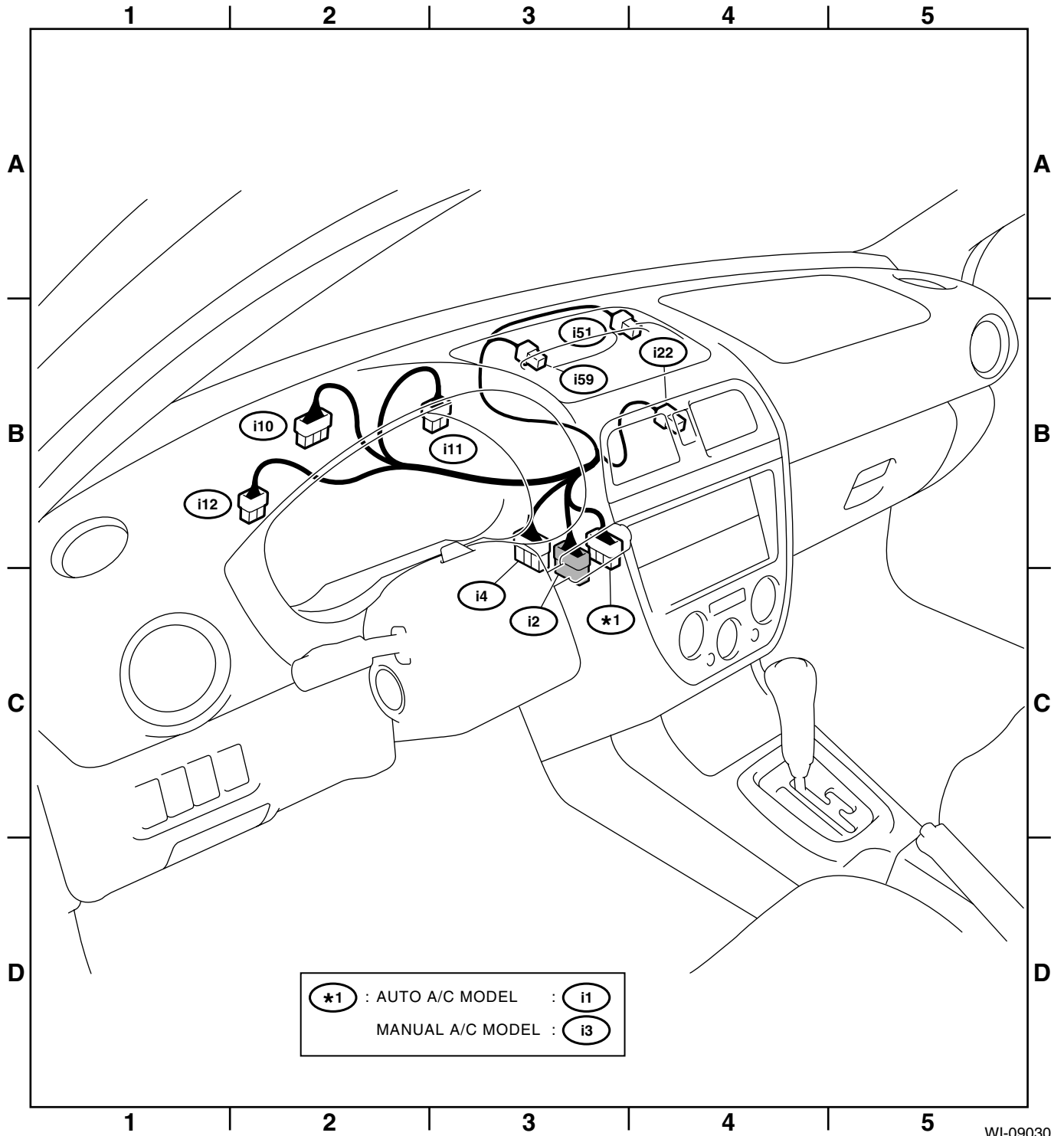
A: LOCATION

Connector				Connecting to	
No.	Pole	Color	Area	No.	Name
i1	28	Blue	B-3	B36	Bulkhead wiring harness (Auto A/C model)
i2	25	★	B-3	B37	
i3	24	★	B-3	B38	Bulkhead wiring harness (Manual A/C model)
i4	24	Brown	B-3	B39	
i10	30	Green	B-2		Combination meter
i11	10	Green	B-3		
i12	14	Green	B-2		Combination meter (Except for STI model)
	16	Green	B-2		Combination meter (STI model)
i22	8	★	B-4		Hazard switch
i51	2	★	A-5		Sunload sensor
i59	6	★	B-3		Clock

★: Non-colored

Instrument Panel Wiring Harness

WIRING SYSTEM



Rear Wiring Harness

WIRING SYSTEM

57.Rear Wiring Harness

A: LOCATION

Connector				Connecting to	
No.	Pole	Color	Area	No.	Name
R1	8	★	B-2	B97	Bulkhead wiring harness
R2	12	★	B-1	B98	
R3	24	★	B-2	B99	
R4	1	Black	B-3		Parking brake switch
R15	16	★	B-3	R57	Fuel tank cord
R22	3	★	B-5		Rear door switch LH
R41	4	Blue	B-2		Seat heater RH
R42	4	★	B-3		Seat heater switch RH
R43	4	Blue	B-3		Seat heater switch LH
R72	2	★	B-3		Rear ABS sensor RH
R73	2	★	B-5		Rear ABS sensor LH
R97	2	★	B-5		Antenna amp. (Sedan model)
R245	2	★	C-4		Seat belt switch (without seat heater model)
R246	6	★	C-4		Seat heater LH and seat belt switch

★: Non-colored

Connector				Connecting to	
No.	Pole	Color	Area	No.	Name
B97	8	★	B-2	R1	Rear wiring harness
B98	12	★	B-1	R2	
B99	24	★	B-2	R3	
B265	8	★	A-2	D27	Rear door cord RH
B267	3	★	C-4		Front door switch LH
B268	3	★	B-2		Front door switch RH
B269	8	★	B-5	D21	Rear door cord LH

★: Non-colored

Connector				Connecting to	
No.	Pole	Color	Area	No.	Name
R50	6	★	B-1	B90	Bulkhead wiring harness
R52	3	★	A-3		Room light
R55	1	Gray	A-2		Sunroof
R56	2	★	A-3		Spot map light
R139	3	★	A-2		Compass mirror

★: Non-colored

Rear Wiring Harness

WIRING SYSTEM

Connector				Connecting to	
No.	Pole	Color	Area	No.	Name
R47	3	Black	B-4		Fuel tank pressure sensor
R57	16	★	B-3	R15	Rear wiring harness (Non-turbo and turbo model)
	20	★	B-3	R15	Rear wiring harness (STI model)
R58	6	★	B-4		Fuel pump
R59	2	★	B-4		Fuel sub level sensor
R68	2	Gray	B-4		Pressure control solenoid valve
R69	2	Black	A-4		Drain valve
R144	2	Brown	B-4		Fuel tank sensor control valve
R148	1	★	B-5		Rear differential oil temperature sensor (STI model)
R159	1	Black	B-5		Rear differential oil temperature sensor (STI model)

★: Non-colored

Connector				Connecting to	
No.	Pole	Color	Area	No.	Name
AB7	12	Yellow	C-2		Airbag control module
AB8	12	Yellow	C-2		Airbag control module
AB9	2	Yellow	C-4		Seat airbag module LH
AB10	4	Yellow	C-5		Side sensor LH
AB11	2	Yellow	B-2		Seat airbag module RH
AB12	4	Yellow	B-2		Side sensor RH
AB19	2	Black	C-4		Pretensioner LH
AB20	2	Black	B-2		Pretensioner RH
AB60	2	Yellow	B-2	B427	Bulkhead wiring harness
AB61	2	Yellow	C-4		Buckle switch LH
AB62	6	Gray	B-2		Occupant detection module
AB63	3	Brown	B-2		Belt tension sensor
AB64	2	Yellow	C-4		Seat position sensor

Door Cord

WIRING SYSTEM

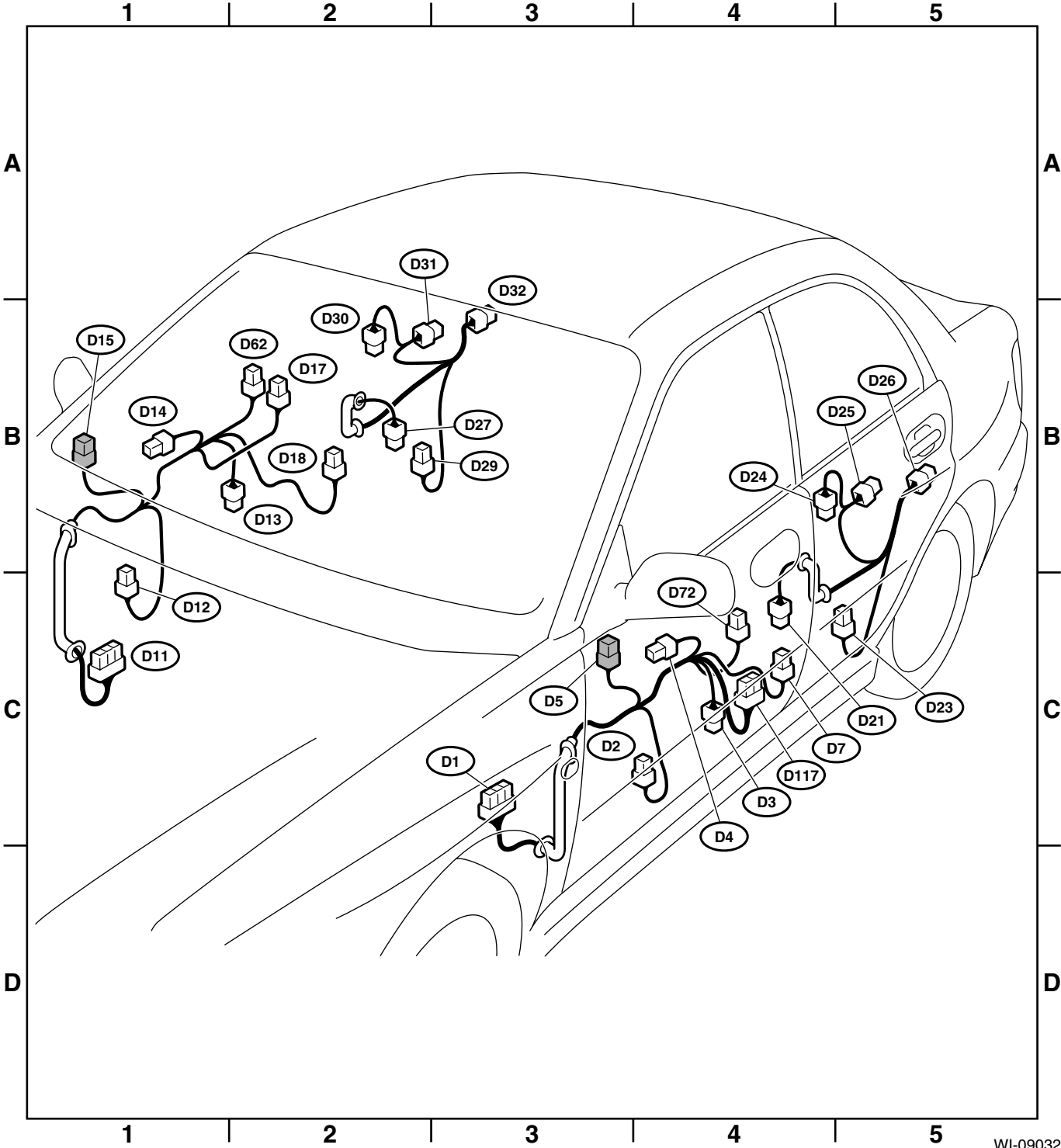
58. Door Cord

A: LOCATION

Connector				Connecting to	
No.	Pole	Color	Area	No.	Name
D1	25	★	C-3	B30	Bulkhead wiring harness
D2	2	★	C-4		Front door speaker LH
D3	2	Black	C-4		Front power window motor LH
D4	2	★	C-4		Front door tweeter LH
D5	6	★	C-3		Rearview mirror LH (Without mirror heater)
	8	Black	C-3		Rearview mirror LH (With mirror heater)
D7	16	★	C-4		Power window main switch
D11	25	★	C-1	B101	Bulkhead wiring harness
D12	2	★	C-1		Front door speaker RH
D13	2	Black	B-2		Front power window motor RH
D14	2	★	B-1		Front door tweeter RH
D15	6	★	B-1		Rearview mirror RH (Without mirror heater)
	8	Black	B-1		Rearview mirror RH (With mirror heater)
D17	8	Brown	B-2		Front power window sub switch RH
D18	4	★	B-2		Front door lock actuator RH
D21	8	★	C-4	B269	Bulkhead wiring harness
D23	2	★	C-5		Rear door speaker LH
D24	2	Black	B-4		Rear power window motor LH
D25	8	Brown	B-5		Rear power window sub switch LH
D26	4	★	B-5		Rear door lock actuator LH
D27	8	★	B-2	B265	Bulkhead wiring harness
D29	2	★	B-2		Rear door speaker RH
D30	2	Black	B-2		Rear power window motor RH
D31	8	Brown	B-2		Rear power window sub switch RH
D32	4	★	B-3		Rear door lock actuator RH
D62	5	★	B-2		Front door lock switch RH
D72	4	★	C-4		Front door lock actuator LH
D117	10	★	C-4		Remote control mirror switch

★: Non-colored

Door Cord



WI-09032

Rear Wiring Harness and Trunk Lid Cord

WIRING SYSTEM

59. Rear Wiring Harness and Trunk Lid Cord

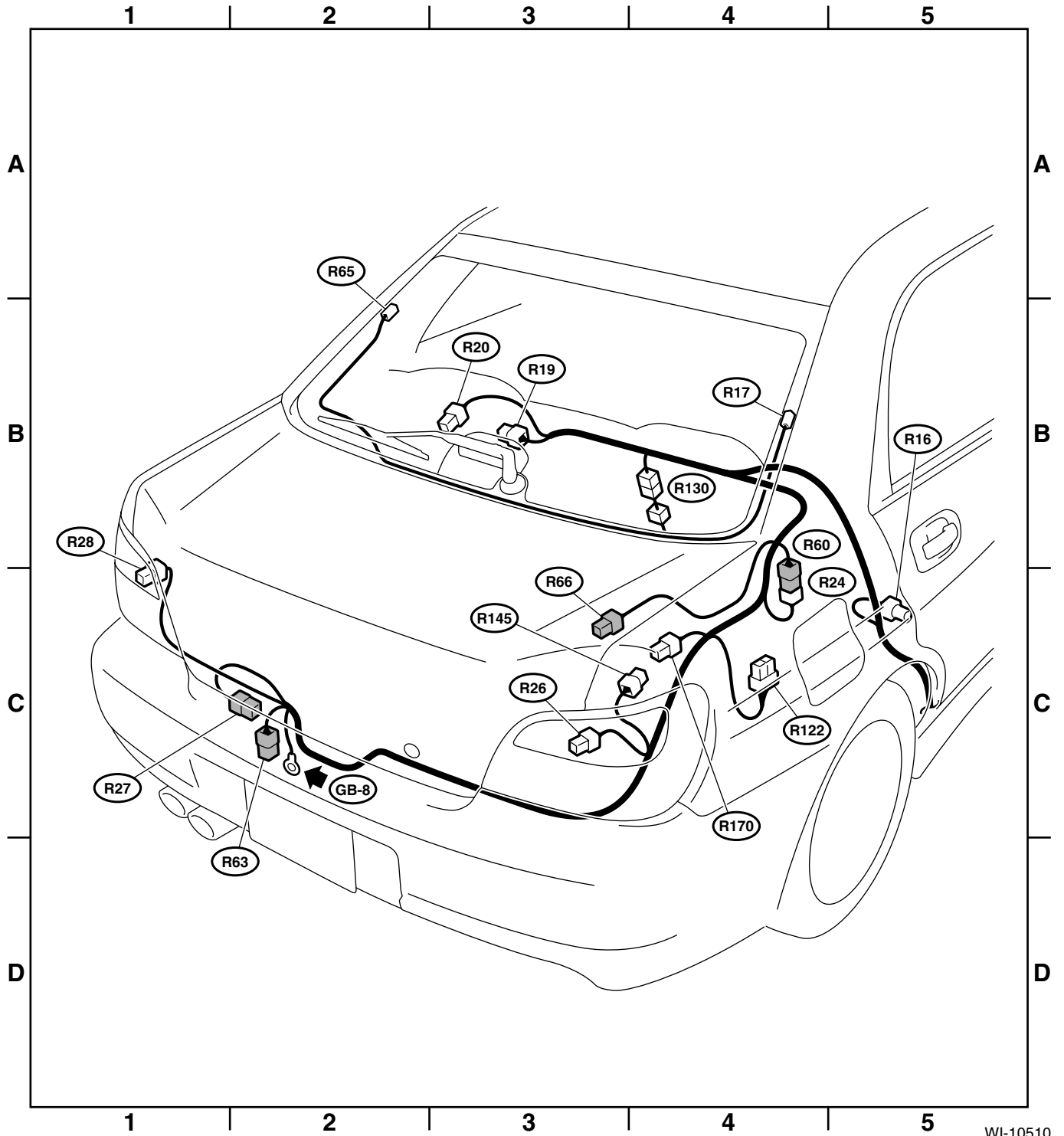
A: LOCATION

Connector				Connecting to	
No.	Pole	Color	Area	No.	Name
R16	3	★	C-5		Rear door switch RH
R17	1	Black	B-4		Rear defogger
R19	2	★	B-3		High-mounted stop light
R20	2	Black	B-3		Trunk room light
R24	2	★	C-4	R60	Trunk lid cord
R26	6	★	C-3		Rear combination light RH
R27	2	★	C-2		Trunk room light switch
R28	6	★	C-1		Rear combination light LH
R60	2	★	C-4	R24	Rear wiring harness
R63	2	Black	C-2		License plate light
R65	1	Black	B-2		Rear defogger
R66	2	★	C-3		High-mounted stop light (Rear spoiler)
R122	6	★	C-4		Fuel pump control module (Turbo and STI model)
R130	2	★	B-4		Rear defogger choke coil
R145	4	★	C-4		Intercooler water spray motor (STI model)
R170	2	★	C-4		Diode

★: Non-colored

Rear Wiring Harness and Trunk Lid Cord

WIRING SYSTEM



WI-10510

Rear Wiring Harness and Rear Gate Cord

WIRING SYSTEM

60. Rear Wiring Harness and Rear Gate Cord

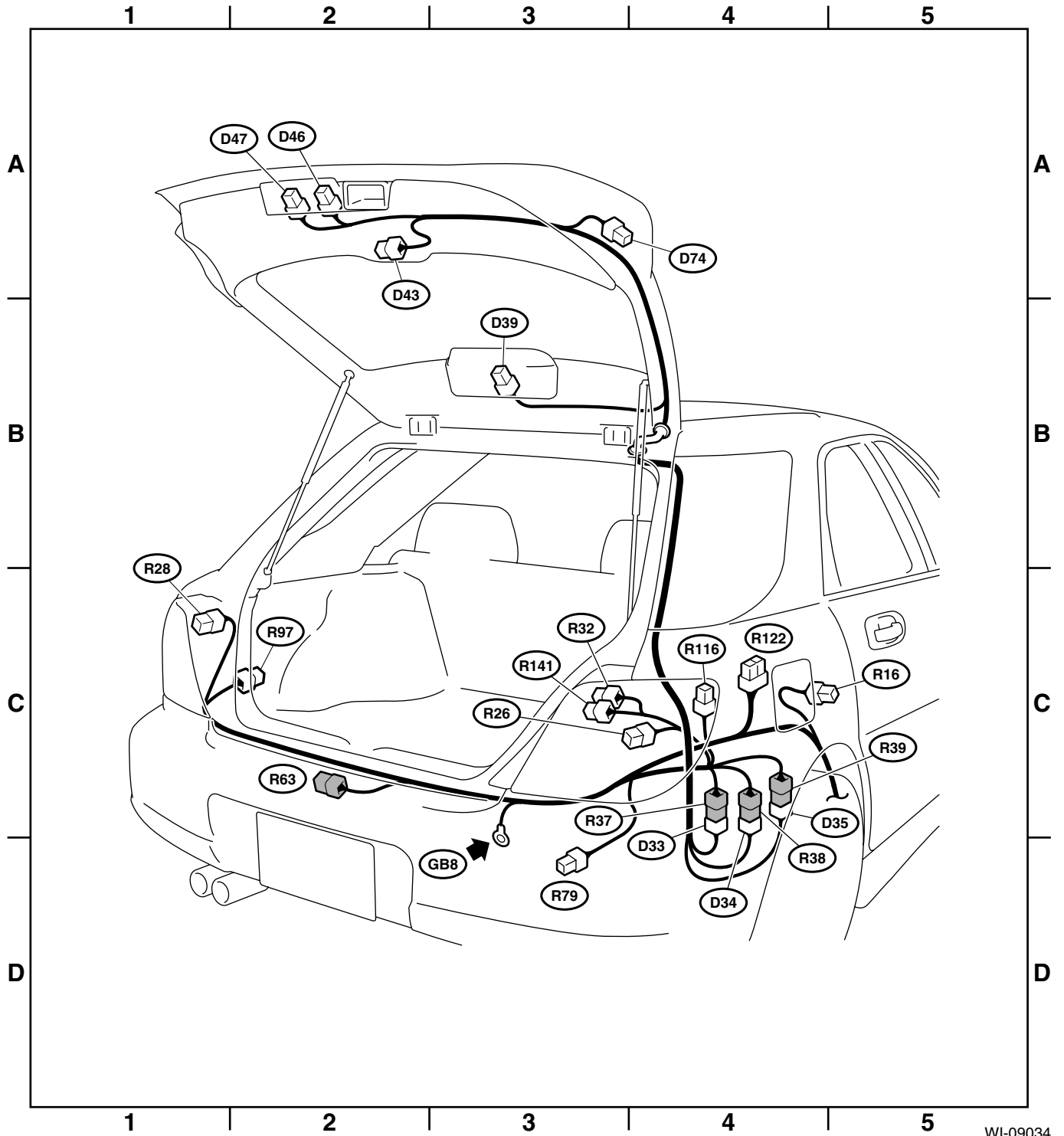
A: LOCATION

Connector				Connecting to	
No.	Pole	Color	Area	No.	Name
R16	3	★	C-4		Rear door switch RH
R26	6	★	C-4		Rear combination light RH
R28	6	★	C-1		Rear combination light LH
R32	2	★	C-3		Accessory power supply socket
R37	2	★	C-4	D33	Rear gate cord
R38	4	★	C-4	D34	Rear gate cord
R39	4	Blue	C-4	D35	Rear gate cord
R63	2	Black	C-2		License plate light
R79	6	★	D-3		Trailer connector
R97	2	★	C-2		Antenna amp.
R116	8	★	C-4		Rear wiper intermittent module
R122	6	★	C-4		Fuel pump control module (Turbo model)
R141	2	★	C-3		Luggage room light
★: Non-colored					

Connector				Connecting to	
No.	Pole	Color	Area	No.	Name
D33	2	★	C-4	R37	Rear wiring harness
D34	4	★	C-4	R38	Rear wiring harness
D35	4	Blue	C-4	R39	Rear wiring harness
D39	2	★	B-3		High-mounted stop light
D43	4	★	A-2		Rear wiper motor
D46	2	Black	A-2		Rear gate latch switch
D47	2	★	A-2		Rear gate lock actuator
D74	2	★	A-3		Rear defogger choke coil
★: Non-colored					

Rear Wiring Harness and Rear Gate Cord

WIRING SYSTEM



WI-09034

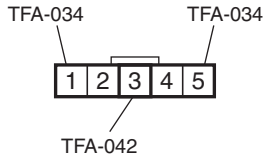
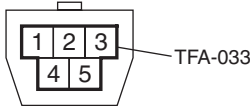
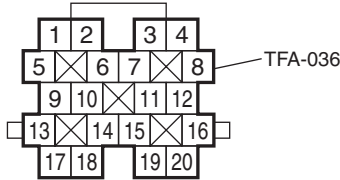
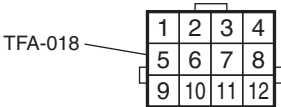
Harness Repair Kit

WIRING SYSTEM

61. Harness Repair Kit

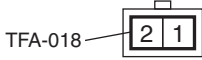


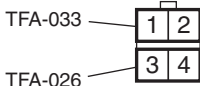
A: SPECIFICATION

1. ADAPTATION TABLE

Connector No.	Adaptive repair kit	Terminal No.	Harness repair kit No.
B3	 <p style="text-align: right;">WI-06087</p>	1, 2, 4, 5	TFA-034
		3	TFA-042
B8	 <p style="text-align: right;">WI-04676</p>	ALL	TFA-033
B11 (Except for STI model)	 <p style="text-align: right;">WI-04677</p>	ALL	TFA-036
B12 (Except for STI model)	 <p style="text-align: right;">WI-04679</p>	ALL	TFA-018

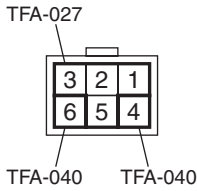
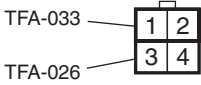
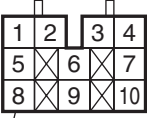
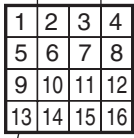
Harness Repair Kit

WIRING SYSTEM

Connector No.	Adaptive repair kit	Terminal No.	Harness repair kit No.
B15	 <p style="text-align: right;">WI-05450</p>	ALL	TFA-018
B17 (Except for turbo model)	 <p style="text-align: right;">WI-06088</p>	ALL	TFA-019
B17 (Turbo model)	 <p style="text-align: right;">WI-06089</p>	ALL	TFA-019
B18 (Turbo model)	 <p style="text-align: right;">WI-05451</p>	1, 2	TFA-033
		3, 4	TFA-026


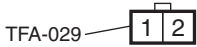

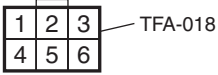
Harness Repair Kit

WIRING SYSTEM

Connector No.	Adaptive repair kit	Terminal No.	Harness repair kit No.
B18 (Non-turbo model)	 <p style="text-align: right;">WI-05452</p>	1 — 3, 5	TFA-027
		4, 6	TFA-040
B19	 <p style="text-align: right;">WI-04681</p>	1, 2	TFA-033
		3, 4	TFA-026
B20 (Except for non-turbo model)	 <p style="text-align: right;">WI-06091</p>	ALL	TFA-041
B20 (Non-turbo model)	 <p style="text-align: right;">WI-05453</p>	ALL	TFA-032

Harness Repair Kit

WIRING SYSTEM

Connector No.	Adaptive repair kit	Terminal No.	Harness repair kit No.
B120	 <p style="text-align: right;">WI-05457</p>	ALL	TFA-012
B127 (Except for non-turbo model)	 <p style="text-align: right;">WI-06095</p>	ALL	TFA-029
B128 (Turbo model)	 <p style="text-align: right;">WI-06096</p>	ALL	TFA-018
B128 (STI model)	 <p style="text-align: right;">WI-05458</p>	ALL	TFA-018

Harness Repair Kit

WIRING SYSTEM

Connector No.	Adaptive repair kit	Terminal No.	Harness repair kit No.
B134 (Except for turbo model)	<p style="text-align: right; margin-top: 10px;">WI-04694</p>	1 — 7	TFA-011
		8 — 34	TFA-013
B135 (Non-turbo model)	<p style="text-align: right; margin-top: 10px;">WI-05461</p>	1 — 7	TFA-011
		10, 11, 22, 23	TFA-014
		8, 9, 12 — 21, 24 — 35	TFA-013
B135 (STI model)	<p style="text-align: right; margin-top: 10px;">WI-05462</p>	1 — 7	TFA-011
		8 — 35	TFA-013
B136 (Non-turbo model)	<p style="text-align: right; margin-top: 10px;">WI-05464</p>	1 — 6	TFA-011
		7 — 13, 16, 19 — 22, 24, 26, 27, 30, 32, 33, 35	TFA-013
		14, 15, 17, 18, 23, 25, 28, 29, 31, 34	TFA-014

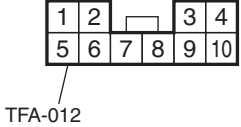
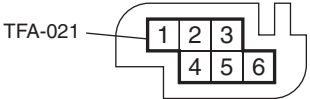


Harness Repair Kit

WIRING SYSTEM

Connector No.	Adaptive repair kit	Terminal No.	Harness repair kit No.
B136 (STI model)		1 — 6	TFA-011
		7 — 14, 16, 19 — 27, 30 — 33, 35	TFA-013
		15, 17, 18, 28, 29, 34	TFA-014
B137 (Except for turbo model)		1 — 7	TFA-011
		8 — 31	TFA-013
B141 (STI model)		ALL	TFA-012
B142 (STI model)		ALL	TFA-012

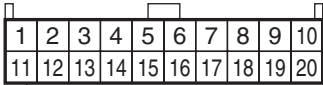
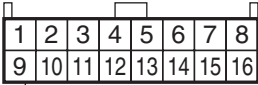
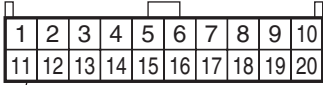
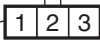
Harness Repair Kit

WIRING SYSTEM

Connector No.	Adaptive repair kit	Terminal No.	Harness repair kit No.
B168 (Non-turbo model)	 <p style="text-align: center;">TFA-012</p> <p style="text-align: right;">WI-05468</p>	ALL	TFA-012
B230 (STI model)	 <p style="text-align: center;">TFA-021</p> <p style="text-align: right;">WI-04700</p>	ALL	TFA-021
B279 (Turbo model)	 <p style="text-align: center;">TFA-041</p> <p style="text-align: right;">WI-06099</p>	ALL	TFA-041
B279* (Turbo model) (Exhaust gas temperature sensor side)	 <p style="text-align: center;">TFA-031</p> <p style="text-align: right;">WI-05484</p>	ALL	TFA-031

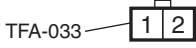

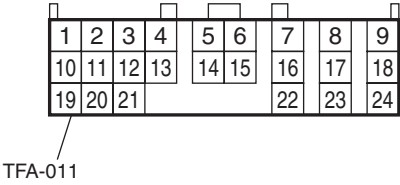
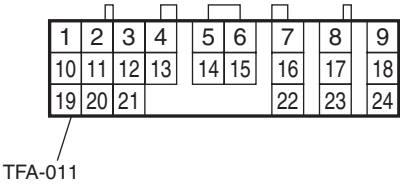
Harness Repair Kit

WIRING SYSTEM

Connector No.	Adaptive repair kit	Terminal No.	Harness repair kit No.
B281	 <p style="text-align: center;">TFA-011</p> <p style="text-align: right;">WI-06100</p>	ALL	TFA-011
B282 (Except for non-turbo model)	 <p style="text-align: center;">TFA-011</p> <p style="text-align: right;">WI-05469</p>	ALL	TFA-011
B283 (Except for non-turbo model)	 <p style="text-align: center;">TFA-011</p> <p style="text-align: right;">WI-06100</p>	ALL	TFA-011
B292	 <p style="text-align: center;">TFA-012</p> <p style="text-align: right;">WI-06101</p>	ALL	TFA-012

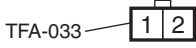
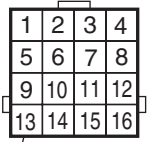
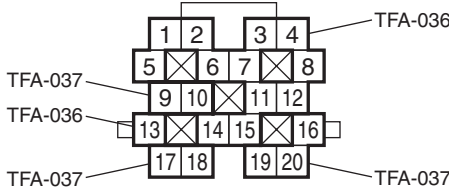
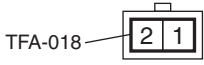
Harness Repair Kit

WIRING SYSTEM

Connector No.	Adaptive repair kit	Terminal No.	Harness repair kit No.
B306	 <p style="text-align: right;">WI-04717</p>	ALL	TFA-033
B317 (STI model)	 <p style="text-align: right;">WI-05470</p>	ALL	TFA-032
B380 (STI model)	 <p style="text-align: right;">WI-05471</p>	ALL	TFA-011
B381 (STI model)	 <p style="text-align: right;">WI-05483</p>	ALL	TFA-011

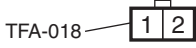

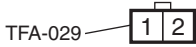
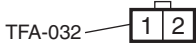
Harness Repair Kit

WIRING SYSTEM

Connector No.	Adaptive repair kit	Terminal No.	Harness repair kit No.
F21	 <p style="text-align: right;">WI-04717</p>	ALL	TFA-033
F60 (Except for non-turbo model)	 <p style="text-align: right;">WI-06105</p>	ALL	TFA-032
F61 (Except for non-turbo model)	 <p style="text-align: right;">WI-05472</p>	1 — 8, 11 — 15	TFA-036
		9, 10, 16 — 20	TFA-037
F94	 <p style="text-align: right;">WI-05450</p>	ALL	TFA-018

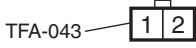



Harness Repair Kit

WIRING SYSTEM

Connector No.	Adaptive repair kit	Terminal No.	Harness repair kit No.
F102	 <p>TFA-018</p> <p>WI-05473</p>	ALL	TFA-018
R47	 <p>TFA-019</p> <p>WI-06088</p>	ALL	TFA-019
R59	 <p>TFA-029</p> <p>WI-06095</p>	ALL	TFA-029
R68	 <p>TFA-032</p> <p>WI-06110</p>	ALL	TFA-032


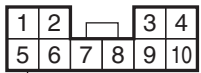
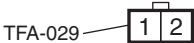
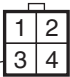
Harness Repair Kit

WIRING SYSTEM

Connector No.	Adaptive repair kit	Terminal No.	Harness repair kit No.
R69 (STI model)	 <p style="text-align: right;">WI-06102</p>	ALL	TFA-043
R72 (Except for STI model)	 <p style="text-align: right;">WI-04707</p>	ALL	TFA-012
R72 (STI model)	 <p style="text-align: right;">WI-04683</p>	ALL	TFA-018
R73 (Except for STI model)	 <p style="text-align: right;">WI-04707</p>	ALL	TFA-012

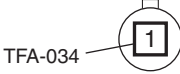
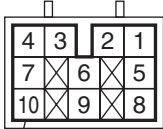
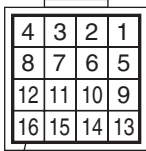
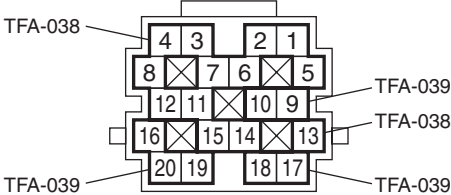
Harness Repair Kit

WIRING SYSTEM

Connector No.	Adaptive repair kit	Terminal No.	Harness repair kit No.
<p style="text-align: center;">R73 (STI model)</p>	<div style="text-align: center;">  <p>TFA-018</p> </div> <p style="text-align: right;">WI-04683</p>	<p style="text-align: center;">ALL</p>	<p style="text-align: center;">TFA-018</p>
<p style="text-align: center;">R122 (Except for non-turbo model)</p>	<div style="text-align: center;">  <p>TFA-030</p> </div> <p style="text-align: right;">WI-06111</p>	<p style="text-align: center;">ALL</p>	<p style="text-align: center;">TFA-030</p>
<p style="text-align: center;">R144</p>	<div style="text-align: center;">  <p>TFA-029</p> </div> <p style="text-align: right;">WI-06095</p>	<p style="text-align: center;">ALL</p>	<p style="text-align: center;">TFA-029</p>
<p style="text-align: center;">R145 (STI model)</p>	<div style="text-align: center;">  <p>TFA-029</p> </div> <p style="text-align: right;">WI-05474</p>	<p style="text-align: center;">ALL</p>	<p style="text-align: center;">TFA-029</p>

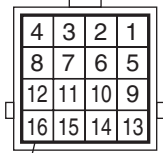
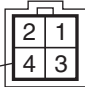
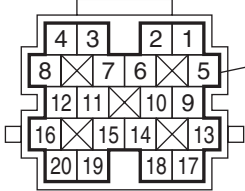
Harness Repair Kit

WIRING SYSTEM

Connector No.	Adaptive repair kit	Terminal No.	Harness repair kit No.
<p>R148 (STI model)</p>	 <p style="text-align: right;">WI-05475</p>	<p>ALL</p>	<p>TFA-034</p>
<p>E1 (Except for non-turbo model)</p>	 <p style="text-align: right;">WI-05476</p>	<p>ALL</p>	<p>TFA-031</p>
<p>E1 (Non-turbo model)</p>	 <p style="text-align: right;">WI-05477</p>	<p>ALL</p>	<p>TFA-035</p>
<p>E2 (Except for non-turbo model)</p>	 <p style="text-align: right;">WI-05478</p>	<p>1 — 8, 11 — 15 9, 10, 16 — 20</p>	<p>TFA-038 TFA-039</p>

Harness Repair Kit

WIRING SYSTEM

Connector No.	Adaptive repair kit	Terminal No.	Harness repair kit No.
<p style="text-align: center;">E3 (Except for non-turbo model)</p>	<div style="text-align: center;">  <p>TFA-035</p> </div> <p style="text-align: right;">WI-05479</p>	<p style="text-align: center;">ALL</p>	<p style="text-align: center;">TFA-035</p>
<p style="text-align: center;">E56 (STI model)</p>	<div style="text-align: center;">  <p>TFA-035</p> </div> <p style="text-align: right;">WI-05480</p>	<p style="text-align: center;">ALL</p>	<p style="text-align: center;">TFA-035</p>
<p style="text-align: center;">T4 (Except for STI model)</p>	<div style="text-align: center;">  <p>TFA-038</p> </div> <p style="text-align: right;">WI-05482</p>	<p style="text-align: center;">ALL</p>	<p style="text-align: center;">TFA-038</p>