

INTAKE (INDUCTION)

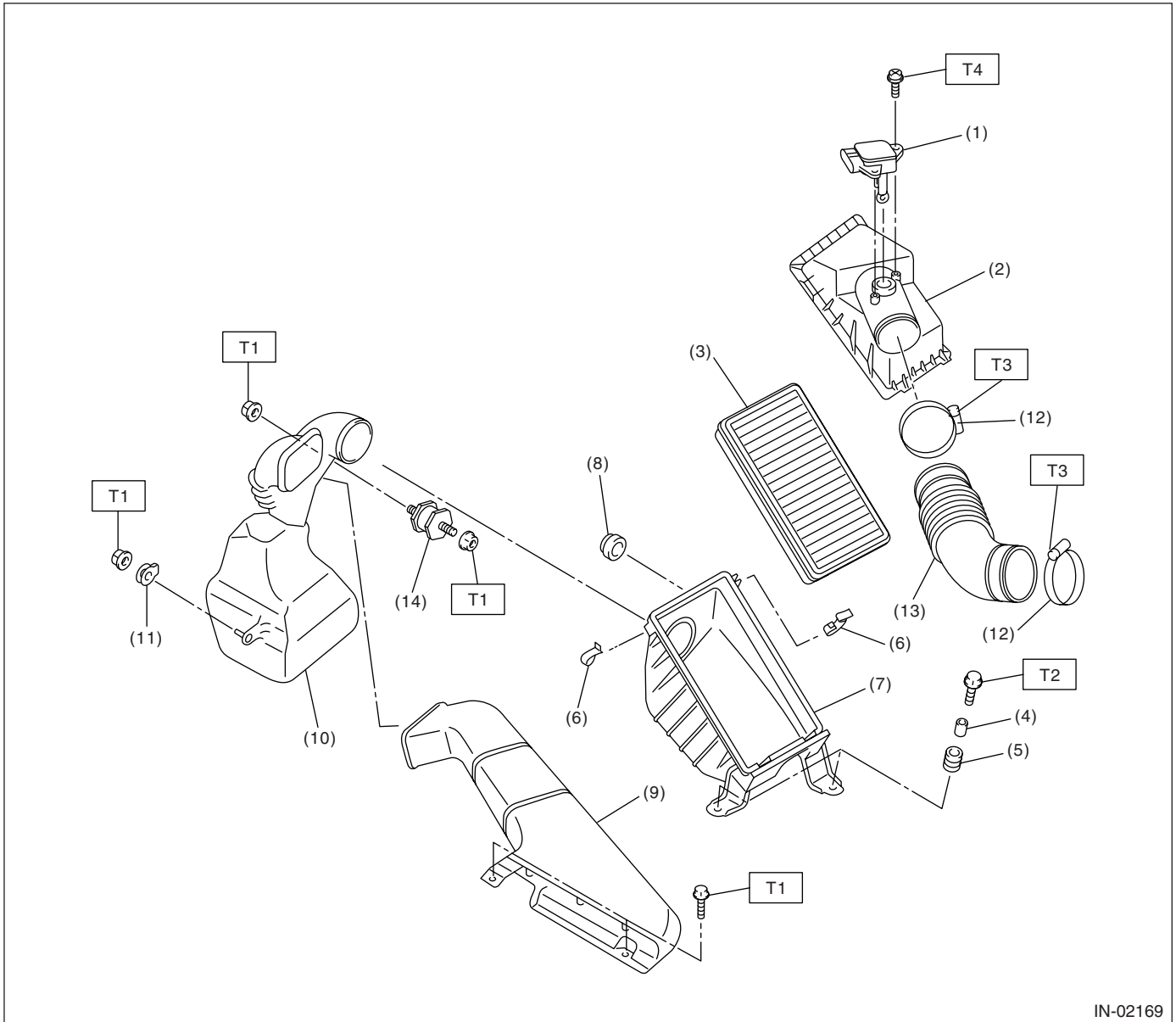
General Description

INTAKE (INDUCTION)

1. General Description

A: COMPONENT

1. AIR CLEANER



IN-02169

- | | | |
|---|-----------------------------|--------------|
| (1) Mass air flow and intake air temperature sensor | (7) Air cleaner lower case | (14) Cushion |
| (2) Air cleaner upper cover | (8) Cushion rubber | |
| (3) Air cleaner element | (9) Air intake duct | |
| (4) Spacer | (10) Resonator chamber ASSY | |
| (5) Bushing | (11) Cushion rubber | |
| (6) Clip | (12) Clamp | |
| | (13) Air intake boot | |

Tightening torque: N·m (kgf·m, ft·lb)

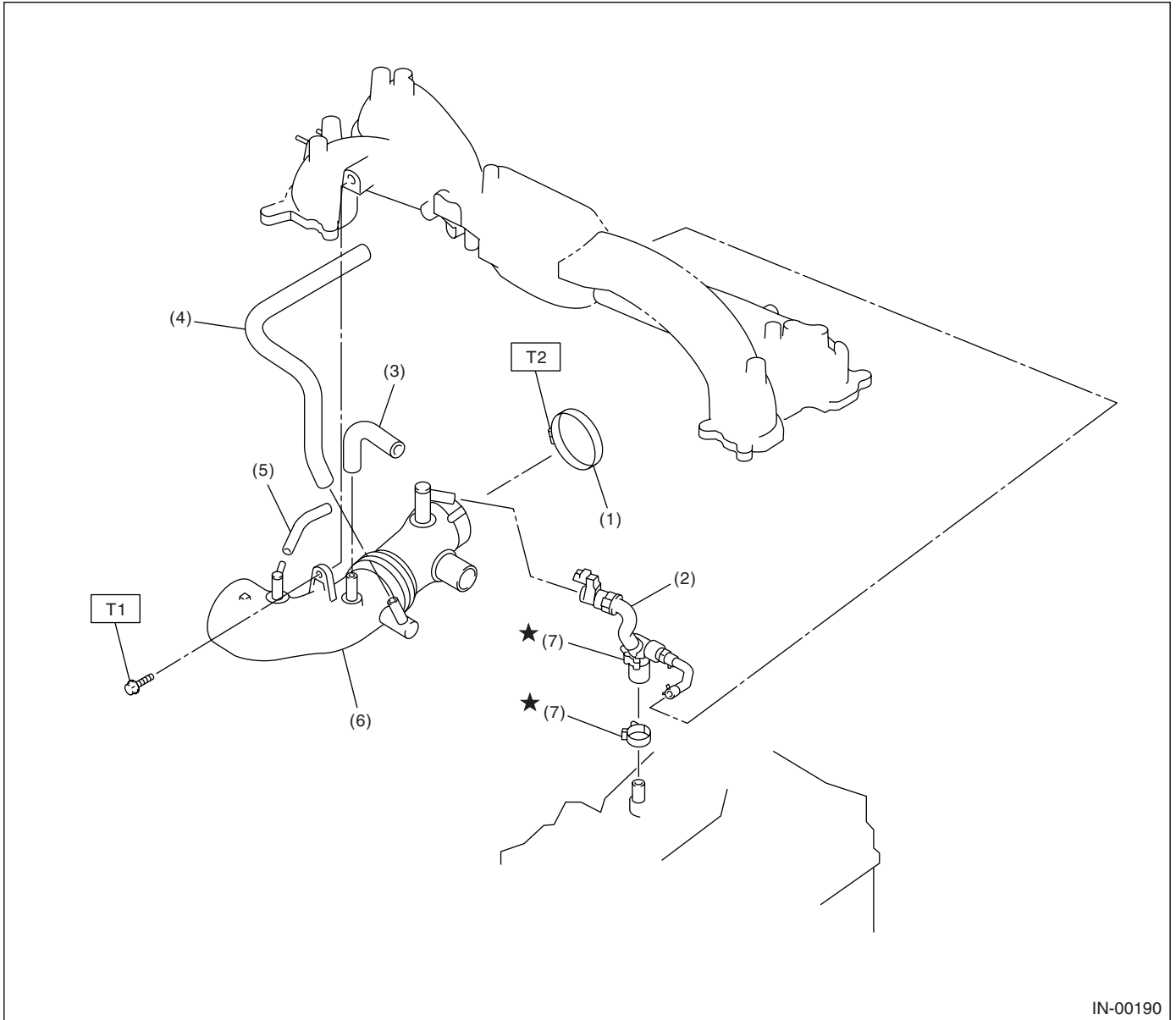
T1: 7.5 (0.76, 5.5)

T2: 33 (3.4, 24.6)

T3: 2.5 (0.25, 1.8)

T4: 1.7 (0.17, 1.2)

2. INTAKE DUCT



IN-00190

- | | |
|------------------------|------------------------|
| (1) Clamp | (5) Air by-pass hose C |
| (2) PCV hose ASSY | (6) Intake duct |
| (3) Air by-pass hose A | (7) Clamp |
| (4) Air by-pass hose B | |

Tightening torque: N·m (kgf·m, ft·lb)

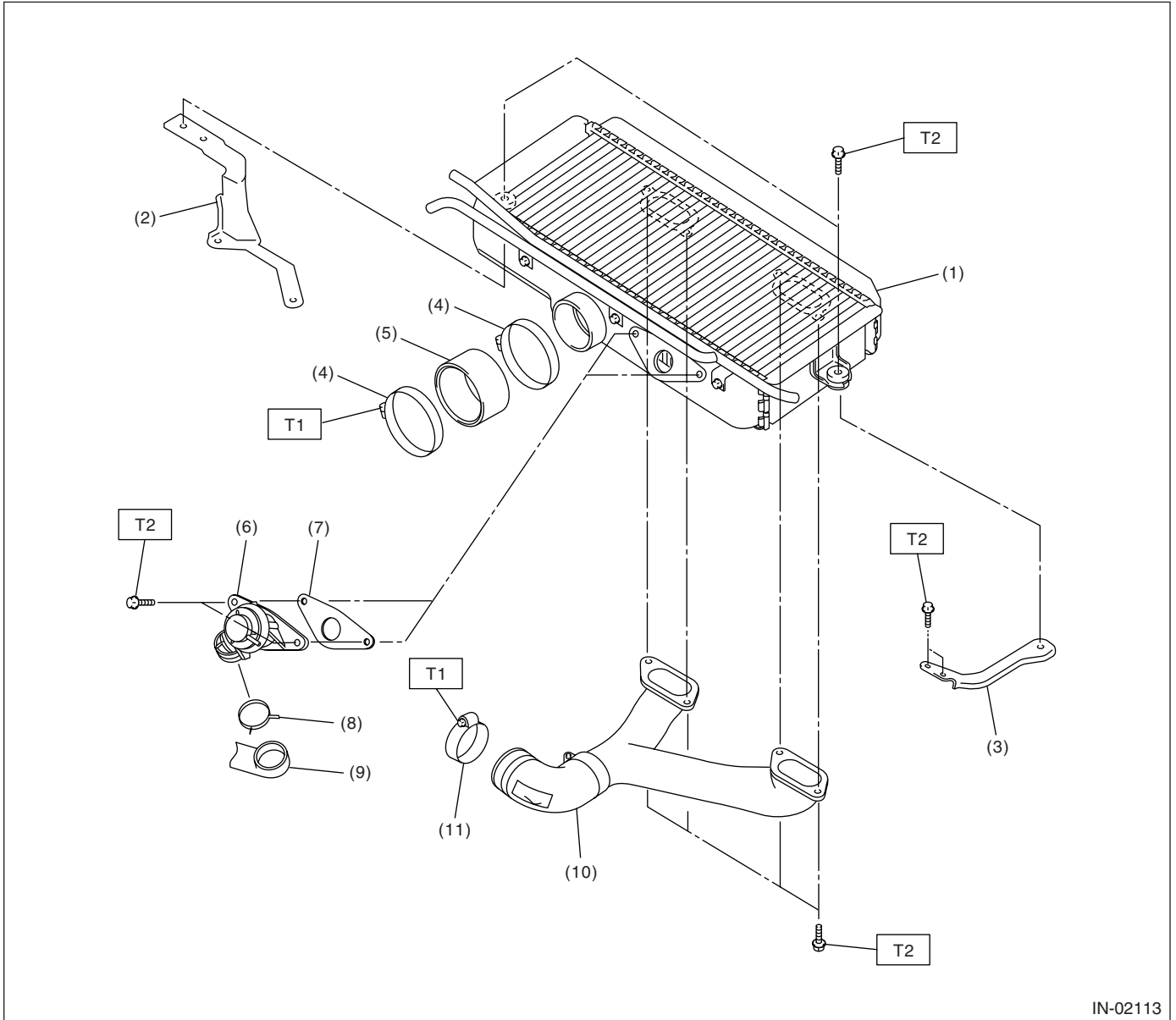
T1: 19 (1.9, 13.7)

T2: 3 (0.3, 2.2)

General Description

INTAKE (INDUCTION)

3. INTERCOOLER



- | | |
|----------------------------|------------------------|
| (1) Intercooler | (6) Air by-pass valve |
| (2) Intercooler bracket RH | (7) Gasket |
| (3) Intercooler bracket LH | (8) Clamp |
| (4) Clamp | (9) Air by-pass hose A |
| (5) Air intake duct | (10) Intercooler duct |

- (11) Clamp

Tightening torque: N-m (kgf-m, ft-lb)

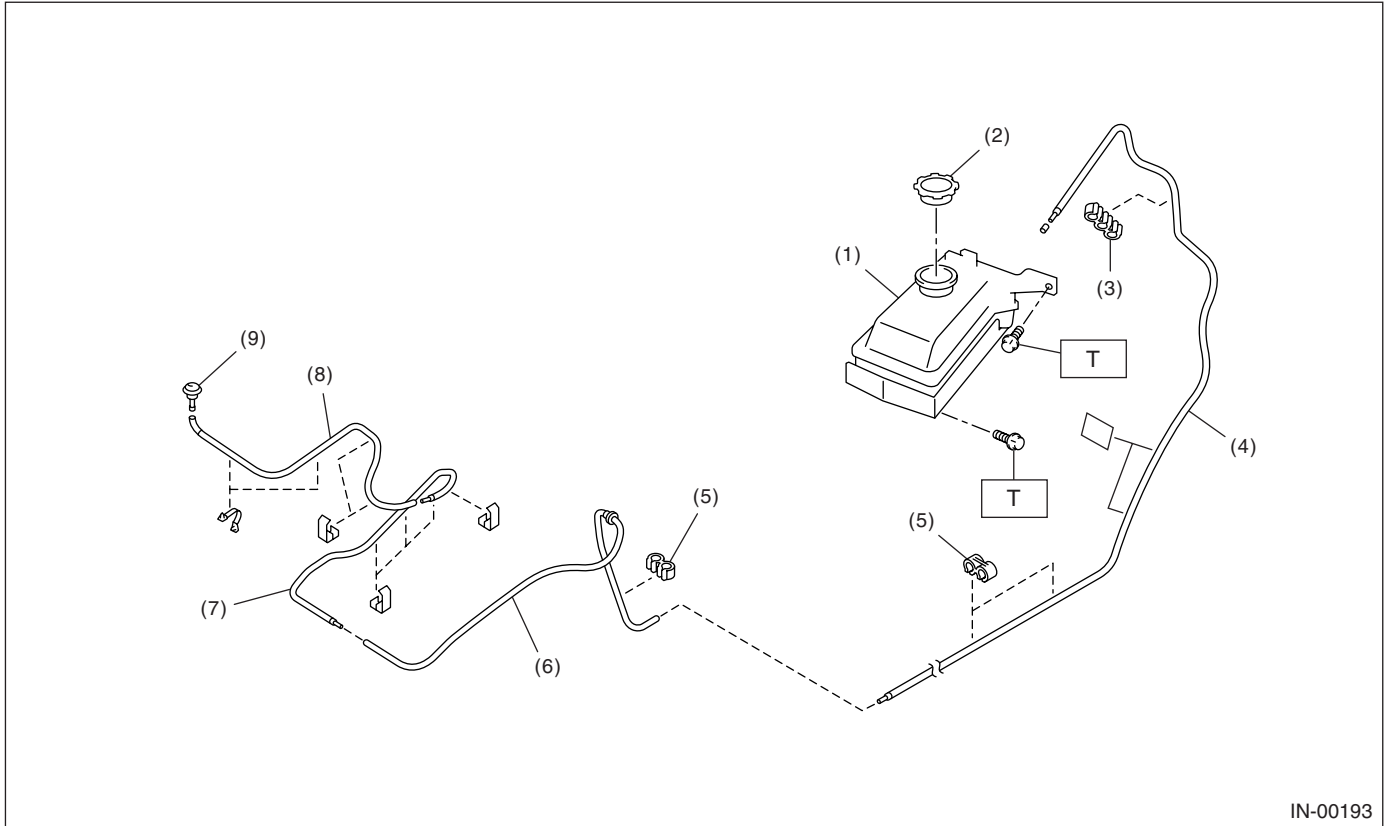
T1: 3 (0.3, 2.2)

T2: 16 (1.6, 11.8)

General Description

INTAKE (INDUCTION)

5. INTERCOOLER WATER SPRAY



- (1) Water tank ASSY
- (2) Water tank cap
- (3) Clamp
- (4) Rear hose

- (5) Clamp
- (6) Center hose
- (7) Front hose
- (8) Intercooler hose

- (9) Nozzle

Tightening torque: N·m (kgf·m, ft·lb)

T: 6.0 (0.61, 4.4)

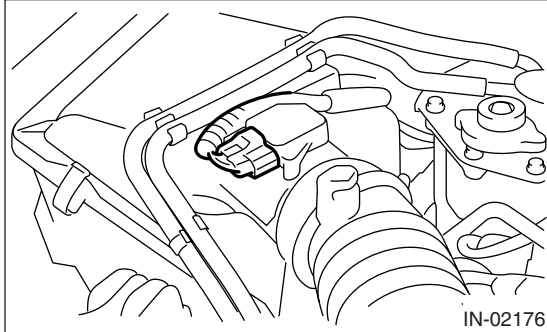
B: CAUTION

- Wear work clothing, including a cap, protective goggles and protective shoes during operation.
- Remove contamination including dirt and corrosion before removal, installation or disassembly.
- Keep the disassembled parts in order and protect them from dust and dirt.
- Before removal, installation or disassembly, be sure to clarify the failure. Avoid unnecessary removal, installation, disassembly and replacement.
- Be careful not to burn your hands, because each part on the vehicle is hot after running.
- Be sure to tighten fasteners including bolts and nuts to the specified torque.
- Place shop jacks or rigid racks at the specified points.
- Before disconnecting electrical connectors of sensor or units, be sure to disconnect the ground cable from battery.

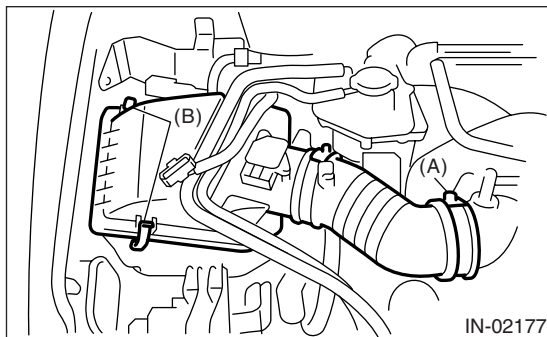
2. Air Cleaner Element

A: REMOVAL

- 1) Disconnect the ground cable from battery.
- 2) Disconnect the connector from mass air flow and intake air temperature sensor.



- 3) Loosen the clamp (A) which connects the air intake boot and intake duct.
- 4) Remove the clip (B) from air cleaner upper cover.



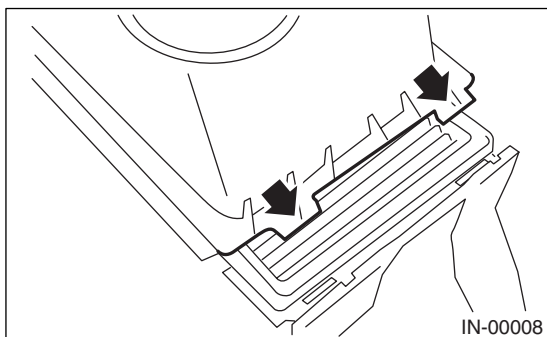
- 5) Remove the air cleaner upper cover.
- 6) Remove the air cleaner element.

B: INSTALLATION

Install in the reverse order of removal.

NOTE:

Before installing the air cleaner upper cover, align the holes with protruding portions of air cleaner lower case, then secure the upper cover to the lower case.



C: INSPECTION

Replace it if excessively damaged or dirty.

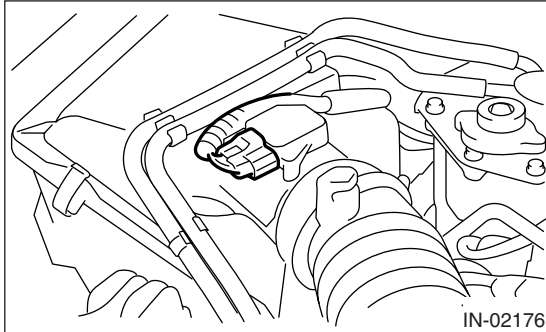
Air Cleaner Case

INTAKE (INDUCTION)

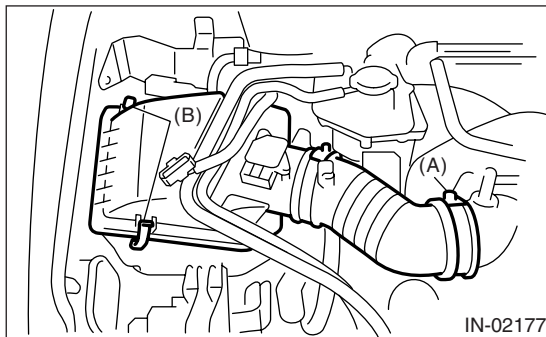
3. Air Cleaner Case

A: REMOVAL

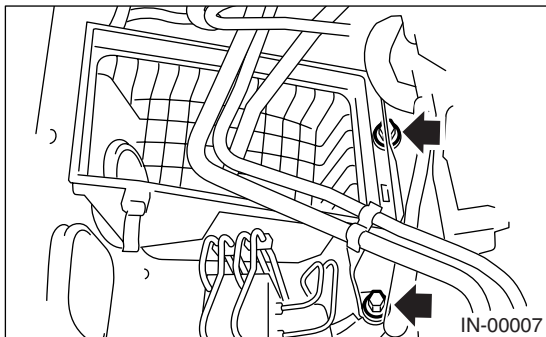
- 1) Disconnect the ground cable from battery.
- 2) Disconnect the connector from mass air flow and intake air temperature sensor.



- 3) Loosen the clamp (A) which connects the air intake boot and intake duct.
- 4) Remove the clip (B) from air cleaner upper cover.



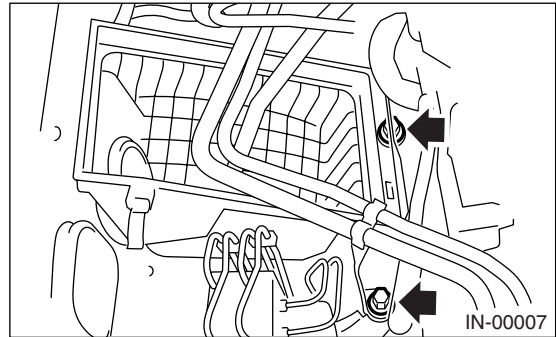
- 5) Remove the air cleaner upper cover.
- 6) Remove the air cleaner element.
- 7) Remove the air cleaner lower case.



B: INSTALLATION

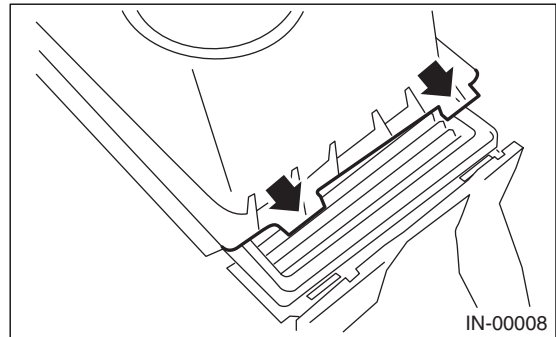
Install in the reverse order of removal.

Tightening torque:
33 N·m (3.4 kgf·m, 24.6 ft·lb)



NOTE:

Before installing the air cleaner upper cover, align the holes with protruding portions of air cleaner lower case, then secure the upper cover to the lower case.



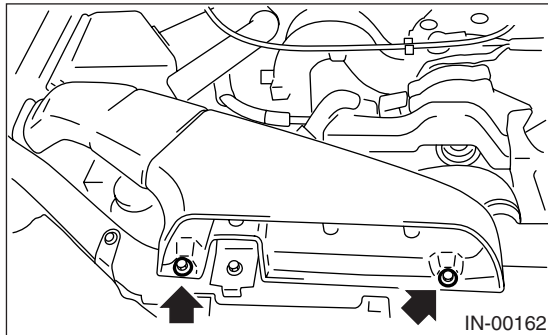
C: INSPECTION

Inspect for cracks and loose connections.

4. Air Intake Duct

A: REMOVAL

Remove the bolts which install the air intake duct on front side of body.

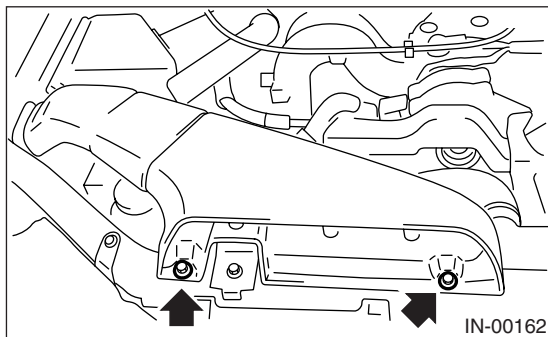


B: INSTALLATION

Install in the reverse order of removal.

Tightening torque:

7.5 N·m (0.76 kgf-m, 5.5 ft-lb)



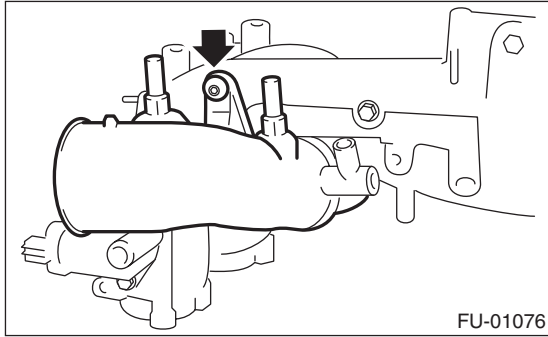
C: INSPECTION

- 1) Inspect for cracks and loose connections.
- 2) Inspect that no foreign objects are mixed in air intake duct.

5. Intake Duct

A: REMOVAL

- 1) Disconnect the ground cable from battery.
- 2) Remove the intake manifold. <Ref. to FU(STI)-13, REMOVAL, Intake Manifold.>
- 3) Remove the sensor, engine harness and fuel pipe attached to intake manifold. <Ref. to FU(STI)-18, DISASSEMBLY, Intake Manifold.>
- 4) Remove the intake duct from intake manifold.

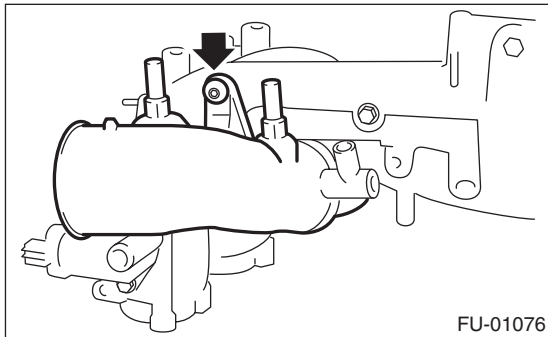


B: INSTALLATION

Install in the reverse order of removal.

Tightening torque:

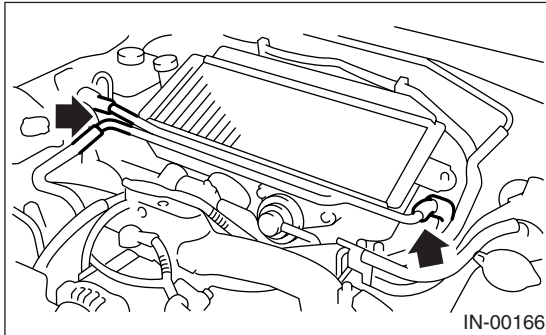
19 N·m (1.9 kgf·m, 13.7 ft·lb)



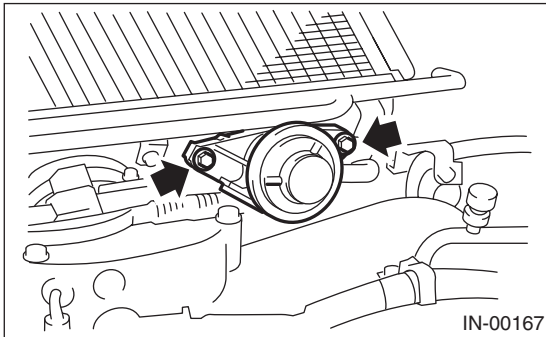
6. Intercooler

A: REMOVAL

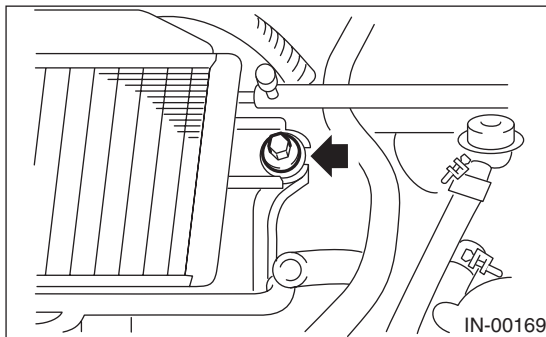
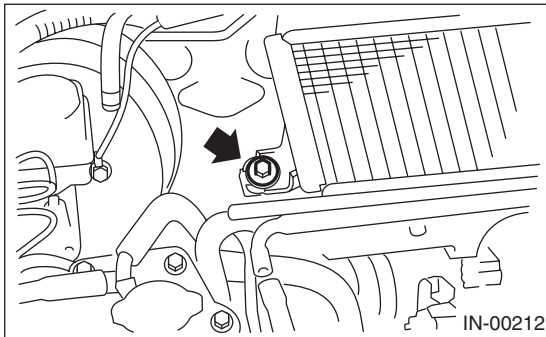
1) Disconnect the air by-pass hoses from intercooler.



2) Remove the air by-pass valve from intercooler.

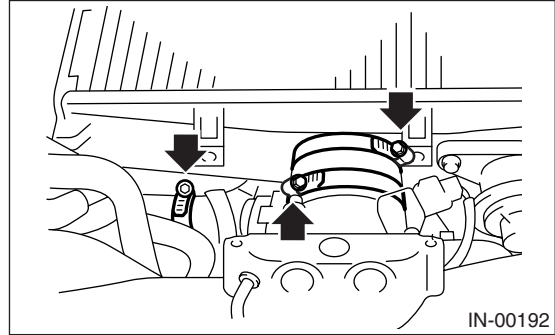


3) Remove the bolts which secure the intercooler to bracket.



4) Remove the intercooler air duct from turbocharger.

5) Remove the intercooler from throttle body.

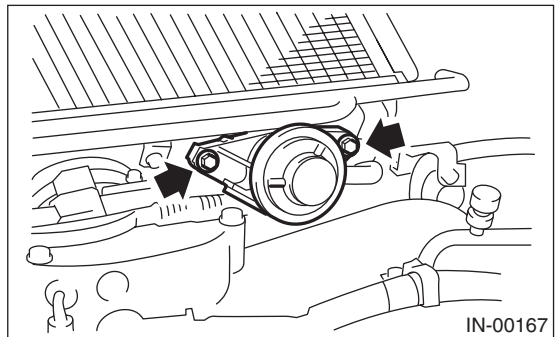
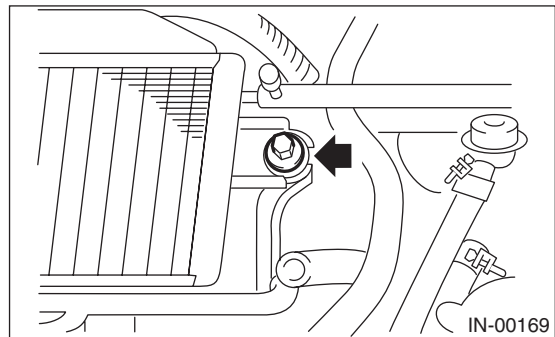
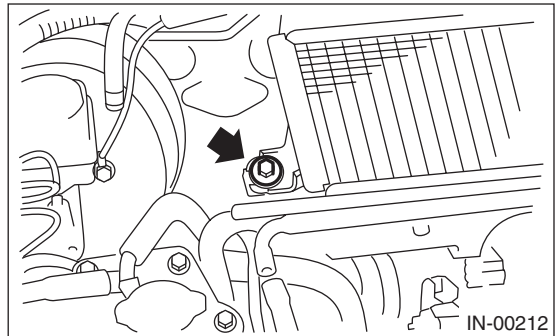


B: INSTALLATION

Install in the reverse order of removal.

Tightening torque:

16 N·m (1.6 kgf-m, 11.8 ft-lb)

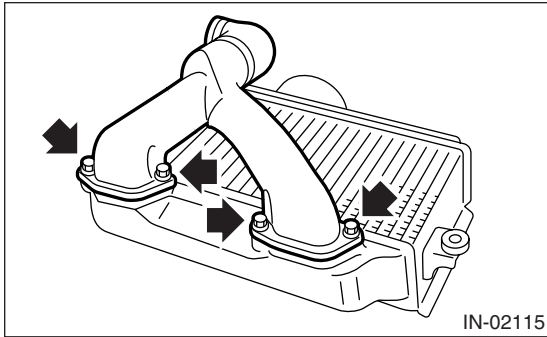


Intercooler

INTAKE (INDUCTION)

C: DISASSEMBLY

Remove the intercooler ducts from intercooler.

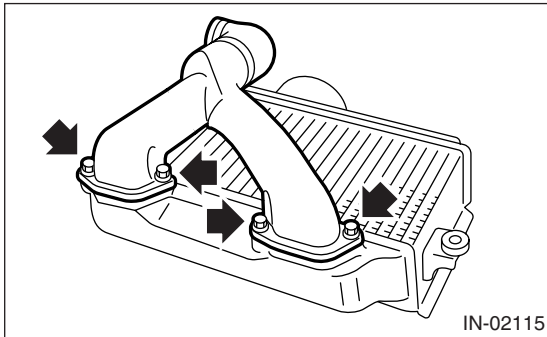


D: ASSEMBLY

Assemble in the reverse order of disassembly.

Tightening torque:

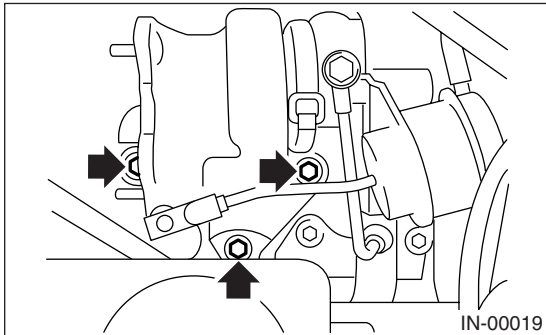
16 N·m (1.6 kgf·m, 11.8 ft·lb)



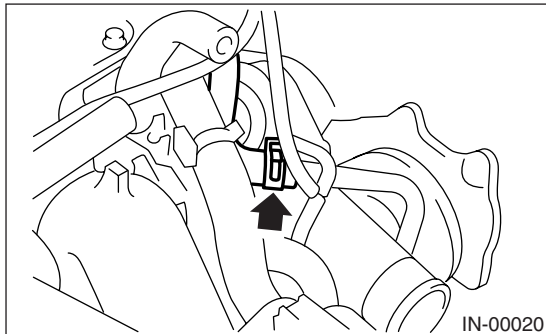
7. Turbocharger

A: REMOVAL

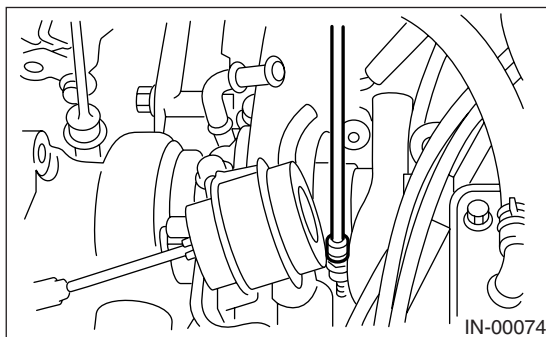
- 1) Set the vehicle on a lift.
- 2) Disconnect the ground cable from battery.
- 3) Remove the center exhaust pipe. <Ref. to EX(H4DOTC)-10, REMOVAL, Center Exhaust Pipe.>
- 4) Lower the vehicle.
- 5) Disconnect the turbocharger joint pipe from turbo-charger.



- 6) Disconnect the engine coolant hose which is connected to coolant filler tank.

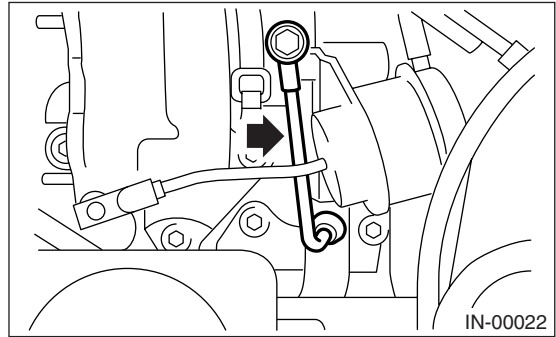


- 7) Loosen the clamp which secures the turbocharger to intake duct.

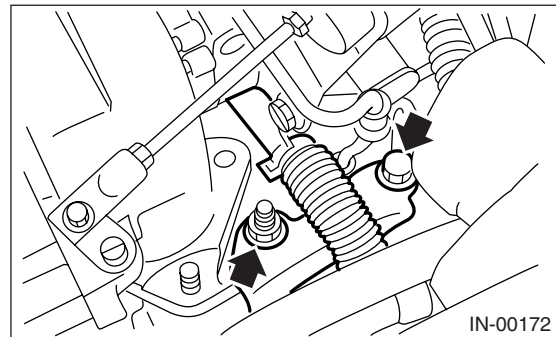


- 8) Loosen the flare joint of oil inlet pipe, and disconnect the flare joint.

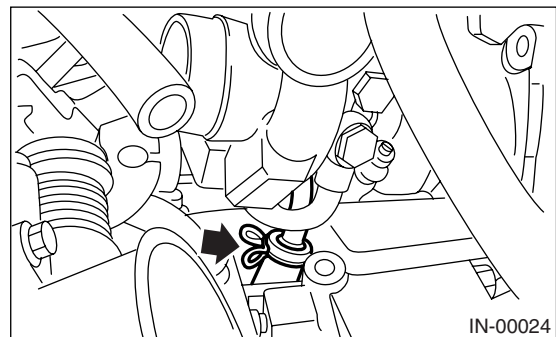
- 9) Remove the oil inlet pipe from turbocharger.



- 10) Disconnect the engine coolant hose.
- 11) Remove the turbocharger bracket.



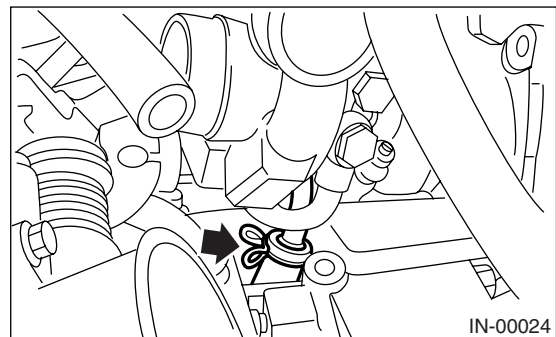
- 12) Disconnect the oil outlet hose from pipe.



- 13) Take out the turbocharger from engine compartment.

B: INSTALLATION

- 1) Connect the oil outlet hose to outlet pipe.



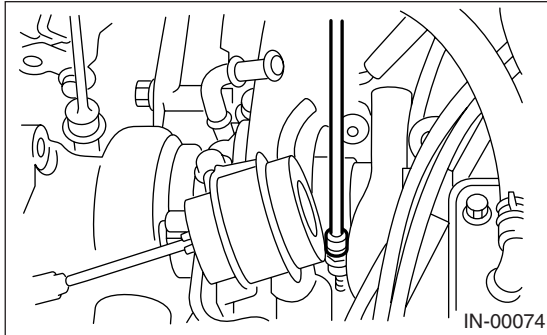
- 2) Install the turbocharger to intake duct.

Turbocharger

INTAKE (INDUCTION)

Tightening torque:

3 N·m (0.3 kgf·m, 2.2 ft·lb)



3) Install the oil inlet pipe to turbocharger, and connect the flare joint.

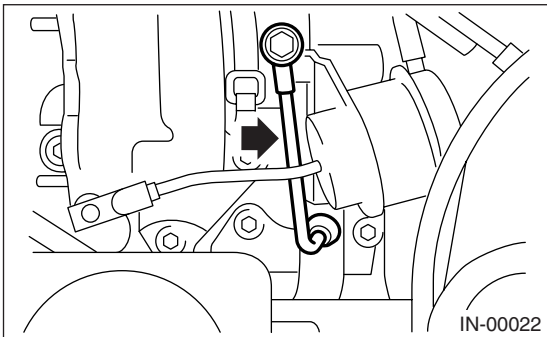
Tightening torque:

Union bolt

16±1.5 N·m (1.6±0.15 kgf·m, 11.8±1.1 ft·lb)

Flare joint

20±2.0 N·m (2.0±0.2 kgf·m, 14.8±1.5 ft·lb)



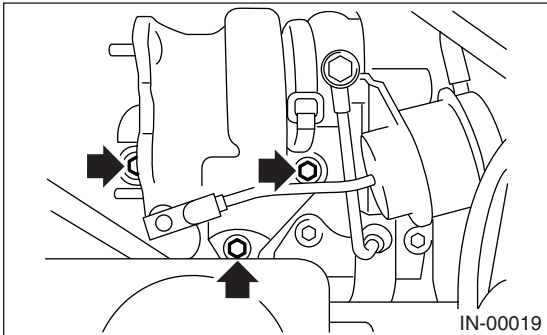
4) Install the turbocharger joint pipe to turbocharger.

NOTE:

Replace the gasket with a new one.

Tightening torque:

35 N·m (3.6 kgf·m, 25.8 ft·lb)

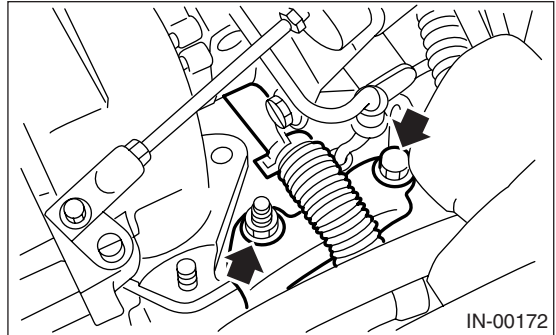


5) Connect the engine coolant hose.

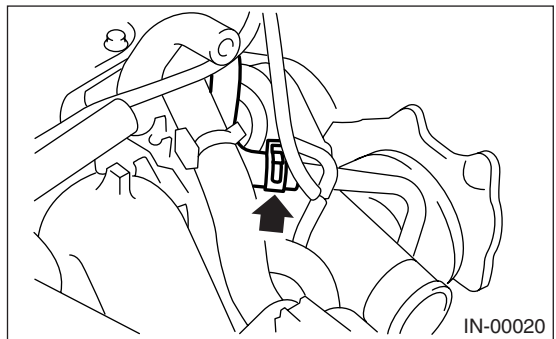
6) Install the turbocharger bracket.

Tightening torque:

33 N·m (3.4 kgf·m, 24.6 ft·lb)



7) Connect the engine coolant hose which is connected to coolant filler tank.



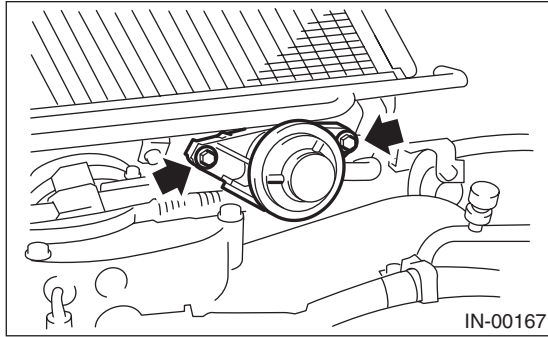
8) Lift-up the vehicle.

9) Install the center exhaust pipe. <Ref. to EX(H4DOTC)-11, INSTALLATION, Center Exhaust Pipe.>

8. Air By-pass Valve

A: REMOVAL

1) Remove the air by-pass valve from intercooler.



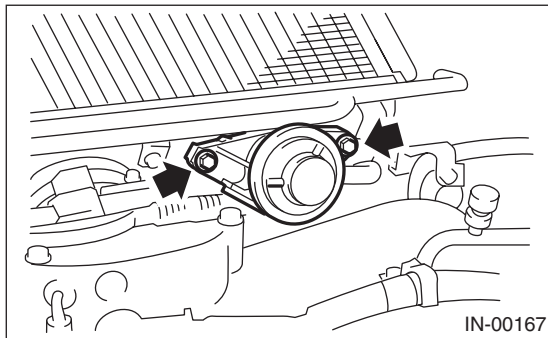
2) Disconnect the air by-pass hoses from air by-pass valve.

B: INSTALLATION

Install in the reverse order of removal.

Tightening torque:

16 N·m (1.6 kgf·m, 11.8 ft·lb)



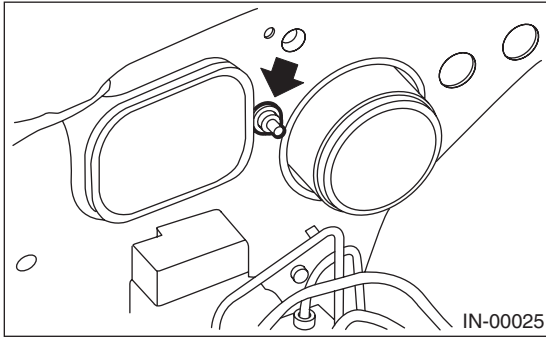
Resonator Chamber

INTAKE (INDUCTION)

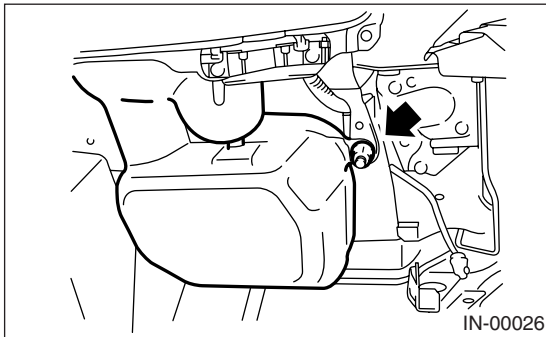
9. Resonator Chamber

A: REMOVAL

- 1) Set the vehicle on a lift.
- 2) Remove the air intake duct. <Ref. to IN(STI)-9, REMOVAL, Air Intake Duct.>
- 3) Remove the air cleaner lower case. <Ref. to IN(STI)-8, REMOVAL, Air Cleaner Case.>
- 4) Remove the resonator chamber mounting nut on right side of engine compartment.



- 5) Lift-up the vehicle, and then remove the front wheel RH.
- 6) Remove the front mud guard RH.
- 7) Remove the resonator chamber from the inside front fender.

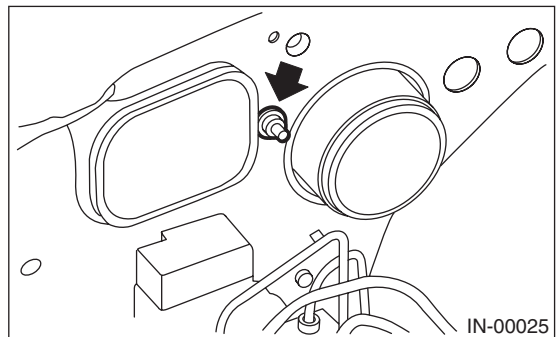
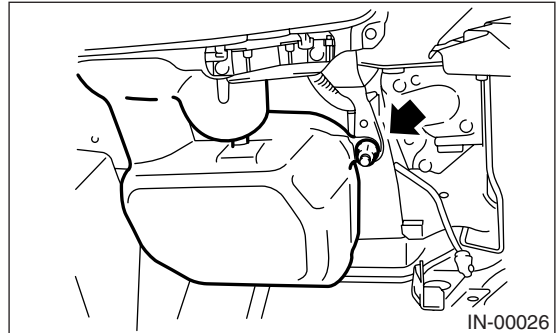


B: INSTALLATION

Install in the reverse order of removal.

Tightening torque:

7.5 N·m (0.76 kgf-m, 5.5 ft-lb)



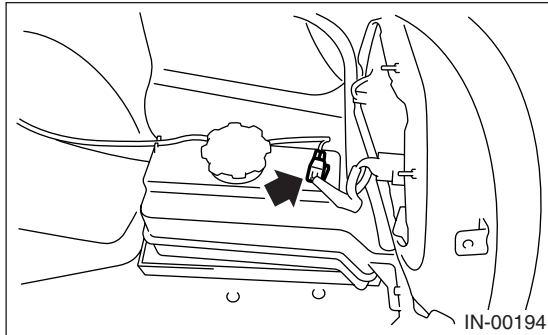
C: INSPECTION

- 1) Inspect for cracks and loose connections.
- 2) Inspect that no foreign objects are mixed in resonator chamber.

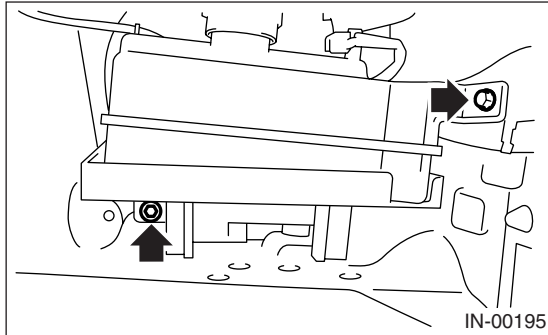
10. Intercooler Water Spray Tank

A: REMOVAL

- 1) Disconnect the ground cable from battery.
- 2) Remove the trunk room trim. <Ref. to EI-59, REMOVAL, Trunk Room Trim.>
- 3) Disconnect the water tank connector.



- 4) Remove the two water tank installation bolts.



- 5) Remove the hose between body and water tank, then remove the water tank.

B: INSTALLATION

Install in the reverse order of removal.

Tightening torque:

6.0 N·m (0.61 kgf-m, 4.4 ft-lb)

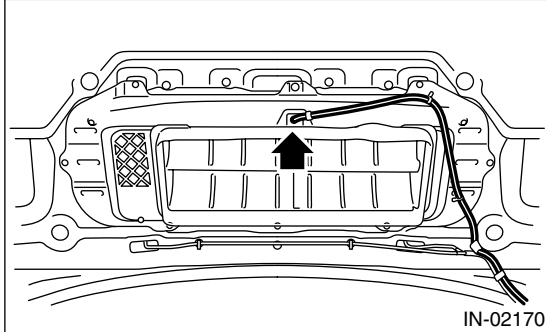
C: INSPECTION

- 1) Make sure the hose is not deformed, damaged, cracked or clogged.
- 2) Make sure the water tank is not damaged or cracked.

11. Intercooler Water Spray Nozzle

A: REMOVAL

- 1) Open the front hood.
- 2) Disconnect the connecting part of hose.
- 3) Push the clip of nozzle upward with the clip pressed by fingers from inside of front hood.



B: INSTALLATION

Install in the reverse order of removal.

C: INSPECTION

Make sure the hose and nozzle are not deformed, damaged, cracked or clogged.